

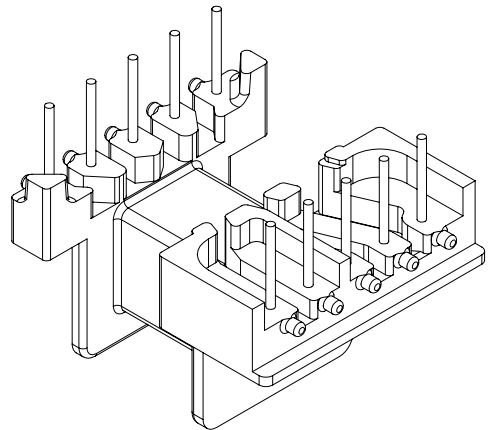
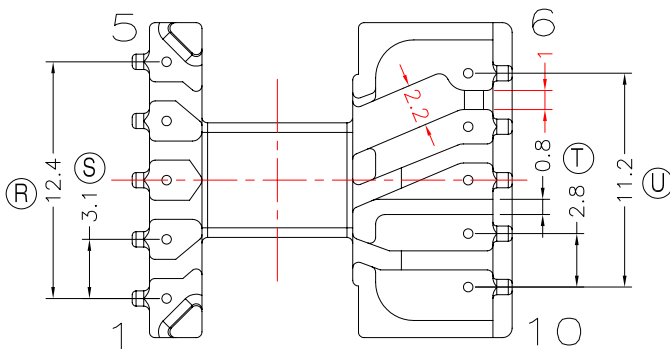
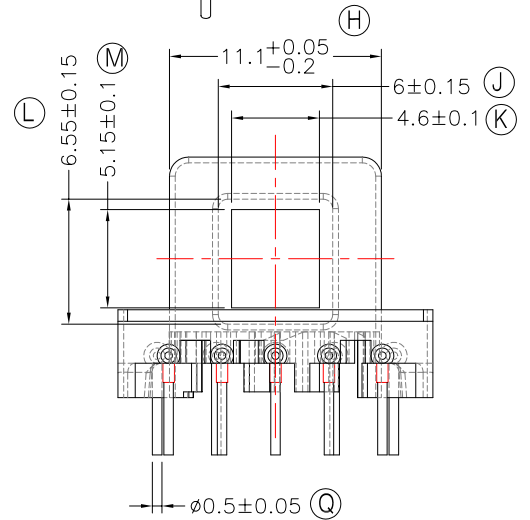
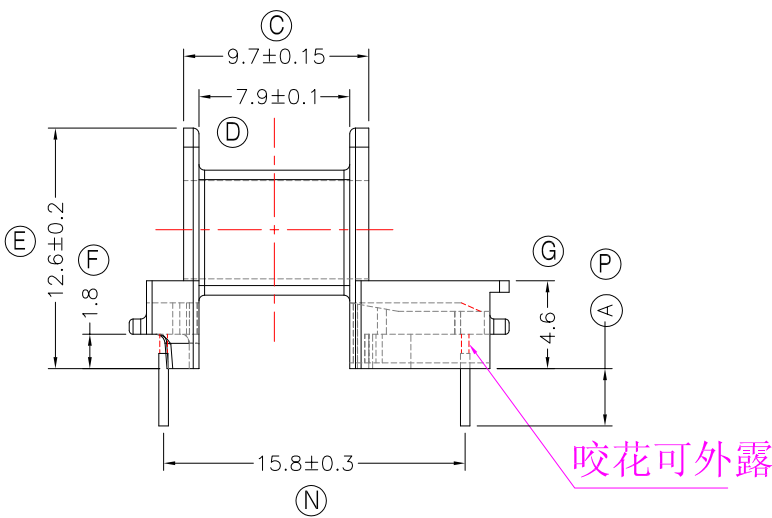
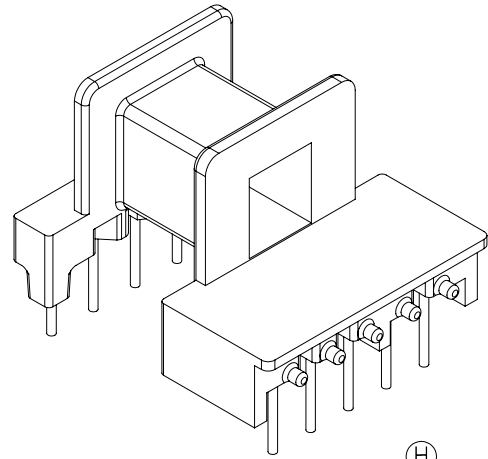
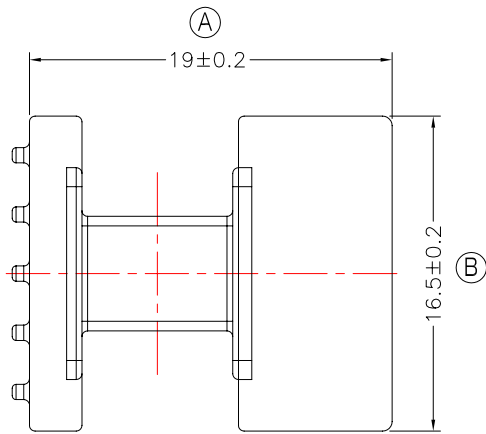


**TRANSFORMER BOBBIN  
INDUSTRIAL CO.,LTD.**

Tel : 86-769-88789999 Fax : 86-769-88789999  
http:// tbi-tw.com e-mail : tb6688@ms46.hinet.net

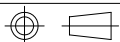
REVISIONS

REV	SYM	DRAFTER	CHECKER	DATE
1		X.H.GU	G.F.YANG	04/08/13
2				
3				



DWG NO. EE16-14-10P-TH-A6-12

PART NO.	MATERIAL (BOBBIN)	MATERIAL (TERMINAL)	TERMINAL (PLATING)	PIN ALLOCATION	NOTE
TBI-201-09161.1206	PM-9820	CP WIRE	Sn	ALL PIN (A)=3.0±0.2	H
TBI-201-09161.1216	PM-9820	CP WIRE	Sn	CUT PIN#10 (A)=2.9±0.2	
TBI-201-09161.1226	PM-9820	CP WIRE	Sn	CUT PIN#10 (A)=3.0±0.2	
TBI-201-09161.1236	PM-9820	CP WIRE	Sn	CUT PIN#6,8,10 (A)=3.2±0.2	
TBI-201-09161.1246	PM-9820	CP WIRE	Sn	CUT PIN#3,6,8,10 (A)=3.2±0.2	



TOLERANCE: 0<L≤4 : ±0.1 4<L≤16 : ±0.2 16<L : ±0.3 Angle: ±1°

UNIT : m / m

SCALE 1 : 1

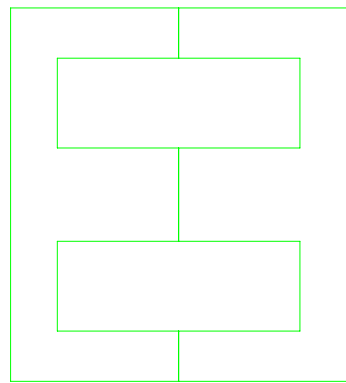
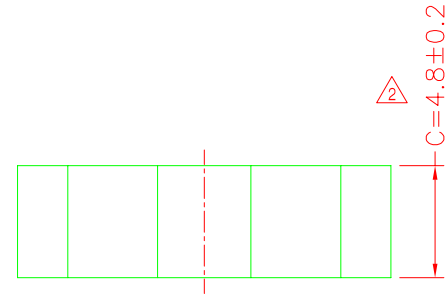
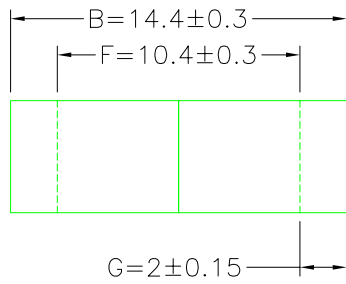
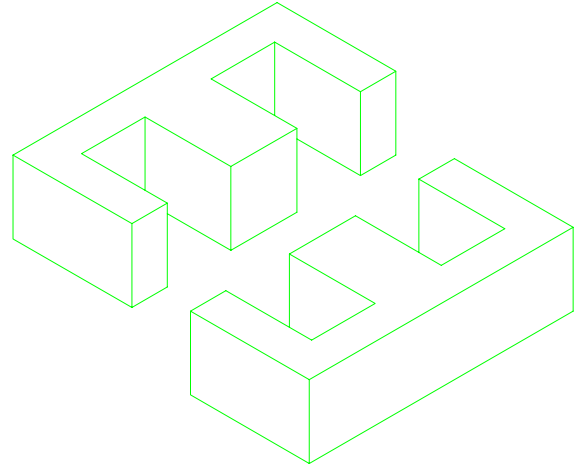
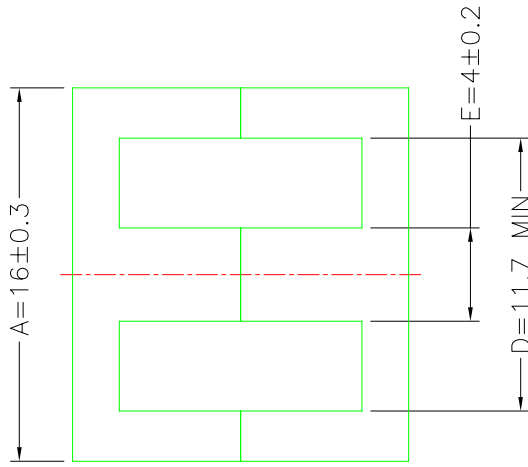
Finish: 1. PB wire Immersion Sn on terminal : Thickness:Sn plating,100,5 μm (200 μ inches) min,Base nickel 0.625 μm (25 μ inches) min.  
2. CP wire Immersion Sn on terminal : Thickness:Sn plating,100,5 μm (200 μ inches) min.  
3. Coplanarity deviation: 0.10 mm (0.004 inches) max.

REV 1

**A-CORE**  
ELECTRICAL CO.

A-CORE JIANGMEN ELECTRONICS CO.,LTD  
江門安磁電子有限公司  
Tel: 86-750-3867791 Fax : 86-750-3867787

REVISIONS				
REV	SYM	DRAFTER	CHECKER	DATE
△1		G.F.YANG	W.H.HSU	10/17/09
△2		X.H.GU	G.F.YANG	09/21/10
△3				



### Core Set Parameters

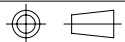
$A_e = 17.6 \text{ mm}^2$

$L_e = 35.1 \text{ mm}$

$C_1 = 1.99 \text{ mm}^{-1}$

$V_e = 617.76 \text{ mm}^3$

DWG NO.	EE16/14 CORE				NOTE
PART NO.	MATERIAL (CORE)				
EE16/14	JPP-44A				
EE16/14	JPP-95				



UNIT : m/m

SCALE 1 : 1

REV 2

**A-CORE**

A-CORE JIANGMEN ELECTRONICS CO.,LTD  
 江門安磁電子有限公司

**TBI**

TRANSFORMER BOBBIN  
 INDUSTRIAL CO.,LTD.

ELECTRICAL CO. Tel : 86-750-3867791 Fax : 86-750-3867787

Tel : 86-769-88789999 Fax : 86-769-88789989

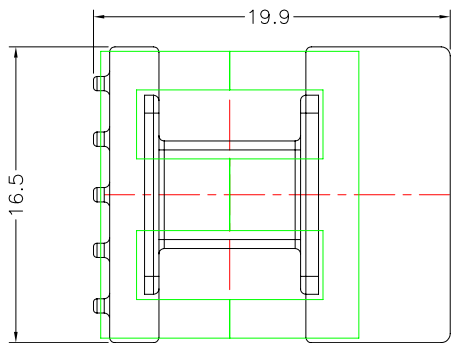
e-mail : sales@acore-ferrite.com

http:// tbi-tw.com e-mail : tb6688@ms46.hinet.net

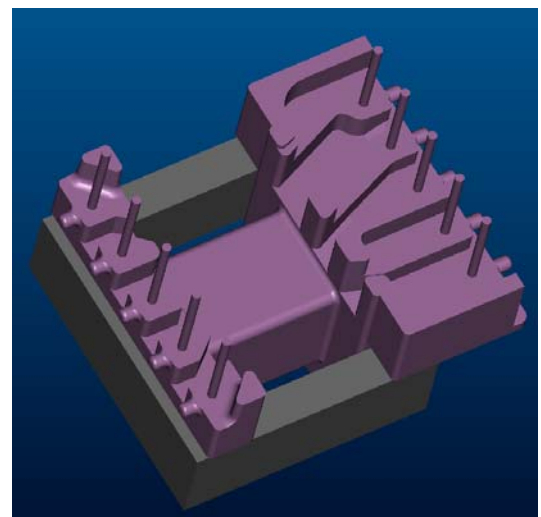
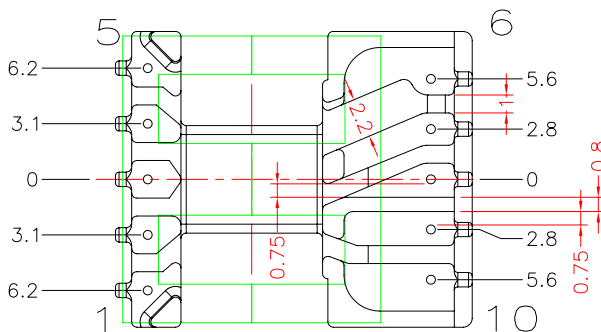
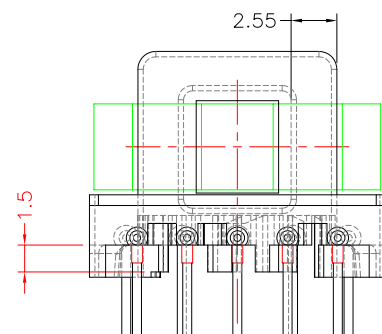
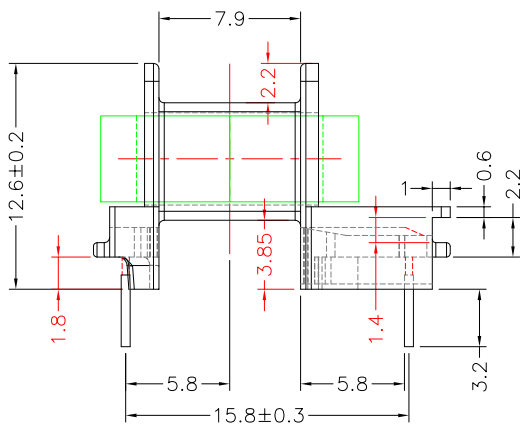
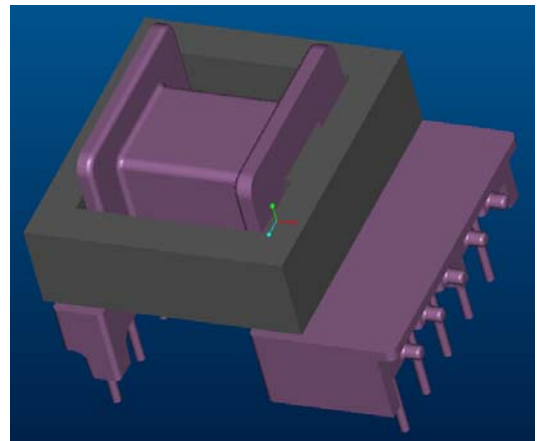
REVISIONS

REV	SYM	DRAFTER	CHECKER	DATE
△1		X.H.GU	G.F.YANG	04/08/13
△2				
△3				

TOP



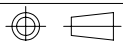
TOP



BOTTOM

BOTTOM

ITEM	PART NO.	MATERIAL	DWG NO.	Core Set Parameters
CORE	EE16/14	JPP-44A		Ae=17.6mm <sup>2</sup> Le=35.1mm Cl=1.99mm <sup>-1</sup> Ve=617.76mm <sup>3</sup>
CORE	EE16/14	JPP-95		
BOBBIN	TBI-201-09161.12XX		EE16-14-10P-TH-A6-12	



UNIT : m / m

SCALE 1 : 1

REV 1