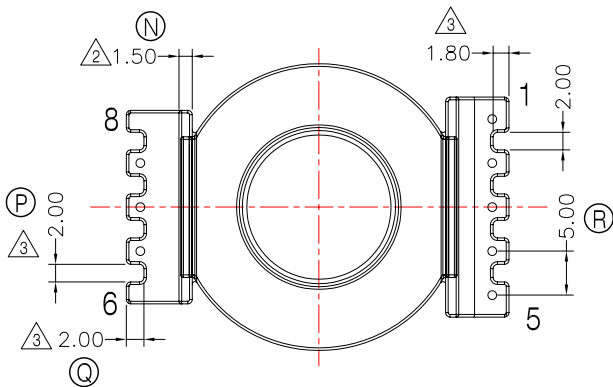
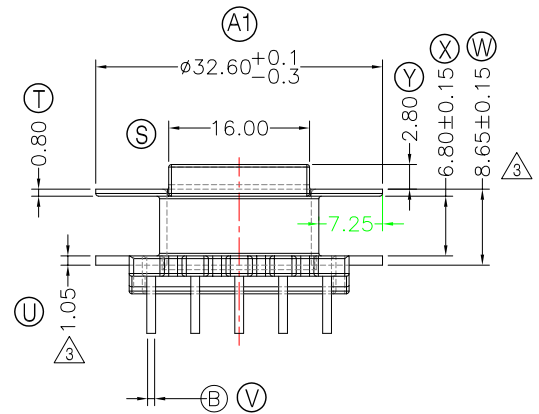
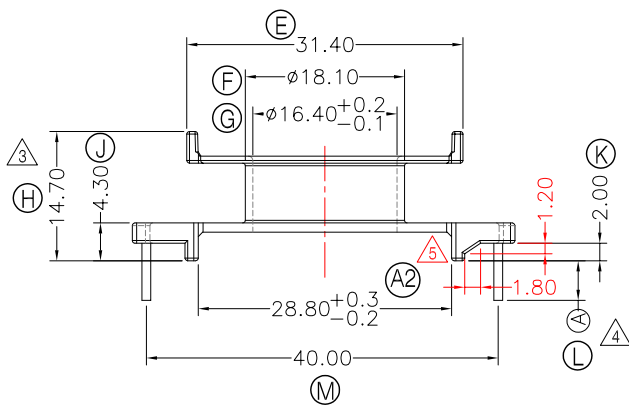
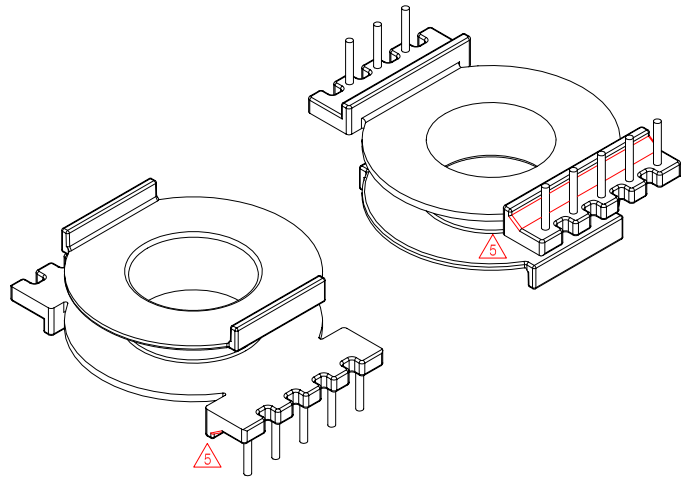
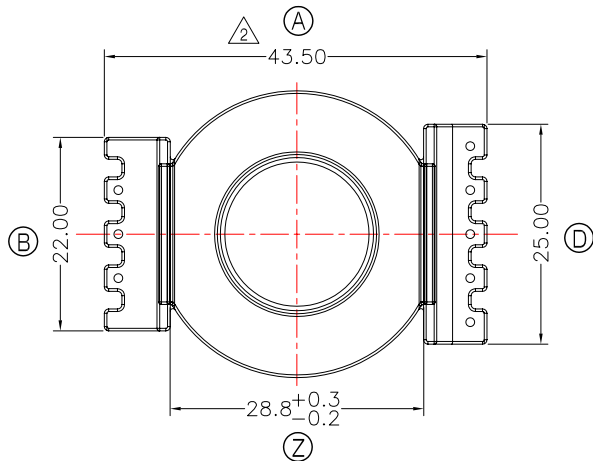




**TRANSFORMER BOBBIN
INDUSTRIAL CO.,LTD.**

Tel : 86-769-88789999 Fax : 86-769-88789998
http:// tbi-tw.com e-mail : tb6688@ms46.hinet.net

REVISIONS				
REV	SYM	DRAFTER	CHECKER	DATE
3		YAN.TANG	G.F.YANG	09/17/09
4		YAN.TANG	G.F.YANG	12/15/09
5		YUAN.XING	G.F.YANG	05/05/11



NOTE:

- 1.耐壓4.0Kv /1.5mA 60S;
- 2.焊錫溫度:450°±10° 3SEC;
- 3.任意一點強度須2.0kg MIN;
- 4.焊錫前拉力:1.0KG MIN;焊錫後拉力:2.5KG MIN
- 5.WINDING SPACE: 7.25mm*6.8mm=49.3mm²

DWG NO.	CC4015A-8P-TH-B-11				
PART NO.	MATERIAL (BOBBIN)	MATERIAL (TERMINAL)	TERMINAL (PLATING)	PIN ALLOCATION	NOTE
TBI-239-01021.1106	PM-9630	CP WIRE	Sn	ALL PIN (A)=4.5±0.2 (B)=SQ 0.8	S
TBI-239-01021.1116	PM-9630	CP WIRE	Sn	NO PIN #2,3,5,7(A)=3.5±0.2 (B)=SQ 0.8	H
TBI-239-01021.1126	PM-9630	CP WIRE	Sn	ALL PIN (A)=4.5±0.2 (B)=φ1.0	
TBI-239-01021.1136	PM-9630	CP WIRE	Sn	NO PIN #5 (A)=4.5±0.2 (B)=φ1.0	
TBI-239-01021.1146	PM-9630	CP WIRE	Sn	NO PIN #6,7,8 (A)=4.5±0.2 (B)=φ1.0	
	TOLERANCE: 0<L<=4:±0.1 4<L<=16:±0.2 16<L<=63:±0.3			UNIT : m / m	SCALE 1 : 1

Finish: 1. Pb wire Immersion Sn on terminal : Thickness:Sn plating,100,5 μm (200 μ inches) min,Base nickel 0.625 μm (25 μ inches) min.
2. CP wire Immersion Sn on terminal : Thickness:Sn plating,100,5 μm (200 μ inches) min.
3. Coplanarity deviation: 0.10 mm (0.004 inches) max.

REV 5