

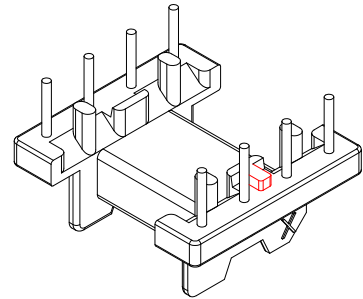
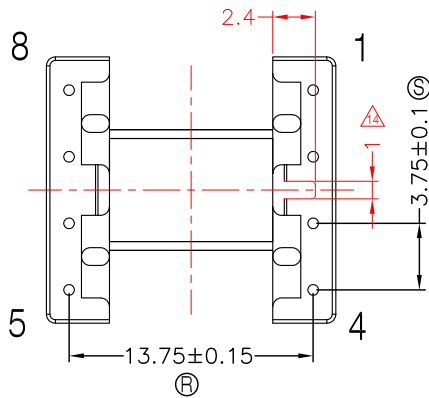
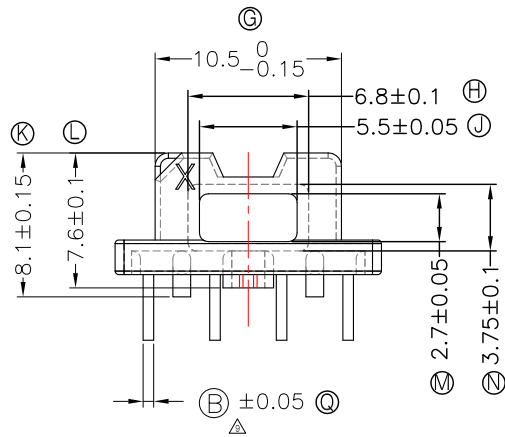
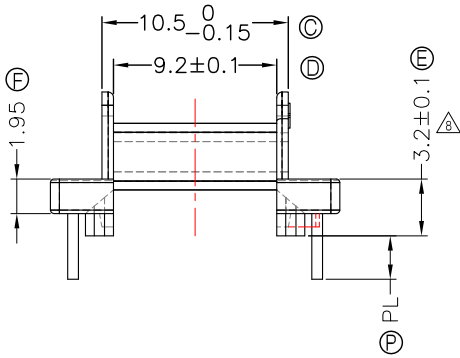
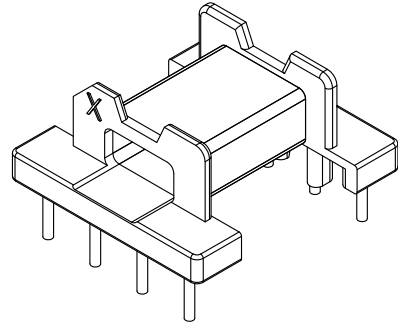
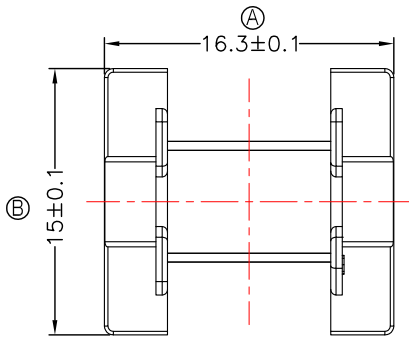


TRANSFORMER BOBBIN  
INDUSTRIAL CO.,LTD.

Tel : 86-769-88789999 Fax : 86-769-88789989  
http:// tbi-tw.com e-mail : tb6688@ms46.hinet.net

REVISIONS

REV	SYM	DRAFTER	CHECKER	DATE
△2		YAN.TANG	W.H.HSU	09/01/07
△3		YAN.TANG	G.F.YANG	02/22/08
△4		F.LU	G.F.YANG	12/18/10



NOTE:

- 1.注166,1A6料號的PIN長要求;
- 2.注1B6料號的PIN拉力要求1.5KG MIN;

DWG NO.	EFD15-8P-TH-3.75-A-1			
PART NO.	MATERIAL (BOBBIN)	MATERIAL (TERMINAL)	TERMINAL (PLATING)	PIN ALLOCATION
TBI-207-03011.106	PM-9630	C.P WIRE	Sn	ALL PIN PL=3.5±0.3 (B)=φ0.6 △
TBI-207-03011.116	PM-9630	C.P WIRE	Sn	ALL PIN PL=7.0±0.3 (B)=φ0.6 △
TBI-207-03011.126	PM-9630	C.P WIRE	Sn	ALL PIN PL=3.5±0.3 (B)=SQ 0.485 △
TBI-207-03011.136	PM-9630	C.P WIRE	Sn	CUT PIN#2,4,5,7 PL=3.5±0.3 (B)=SQ 0.485 △
TBI-207-03011.146	PM-9630	C.P WIRE	Sn	CUT PIN#2,3,6,7 PL=3.5±0.3 (B)=SQ 0.485 △
TBI-207-03011.156	PM-9630	C.P WIRE	Sn	CUT PIN #4,6,7 PL=7.0±0.3 (B)=φ0.6 △
TBI-207-03011.166	PM-9630	C.P WIRE	Sn	CUT PIN #4,6,7 PIN1,3 PL=10.2±0.2 PIN2,5,8 PL=4.25±0.25 (B)=φ0.6
TBI-207-03011.176	PM-9630	C.P WIRE	Sn	CUT PIN#2,3,5,6,8 PL=5.0±0.5 (B)=φ0.6
TBI-207-03011.186	PM-9630	C.P WIRE	Sn	CUT PIN#6,7,8 PL=3.1±0.2 (B)=SQ.485
TBI-207-03011.196	PM-9630	C.P WIRE	Sn	CUT PIN#1,2,3,4,5,8 PL=3.5±0.3 (B)=φ0.6
TBI-207-03011.1A6	PM-9630	C.P WIRE	Sn	CUT PIN #4,5,6,7,8 PIN1,3 PL=10.2±0.2 PIN2 PL=4.25±0.25 (B)=φ0.6
TBI-207-03011.1B6	PM-9630	C.P WIRE	Sn	CUT PIN#6 PL=3.8±0.3 (B)=φ0.6 Pin 拉力1.5 Kg Min

	TOLERANCE: .X±0.15 .XX±0.10 .XXX±0.05	UNIT : m / m	SCALE 3 : 1
Finish:	1. Pb wire Immersion Sn on terminal : Thickness:Sn plating,100%,5 μm (200 μ inches) min,Base nickel 0.625 μm (25 μ inches) min. 2. CP wire Immersion Sn on terminal : Thickness:Sn plating,100%,5 μm (200 μ inches) min. 3. Coplanarity deviation: 0.10 mm (0.004 inches) max.		
	REV	14	