

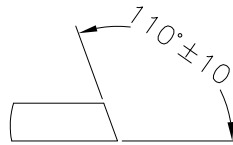
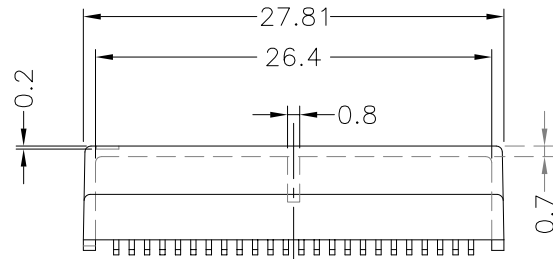
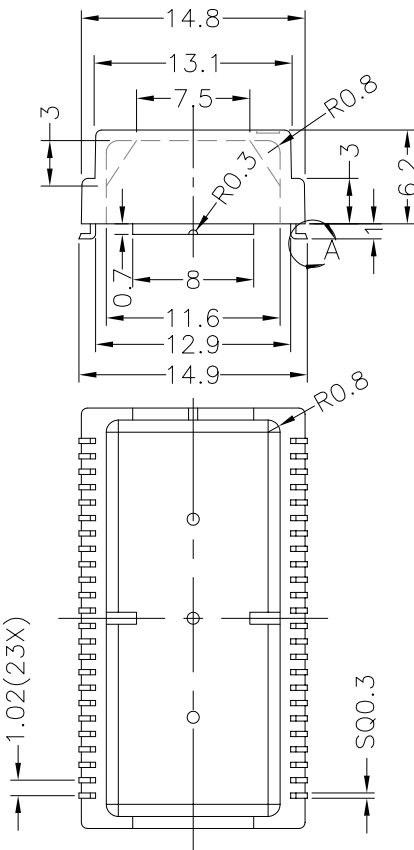
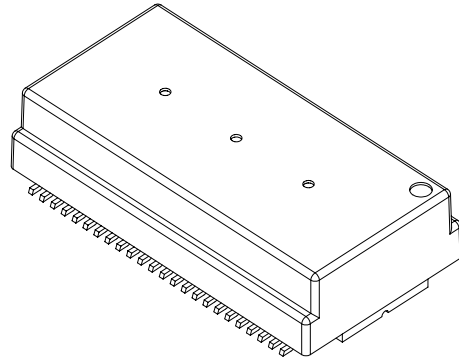
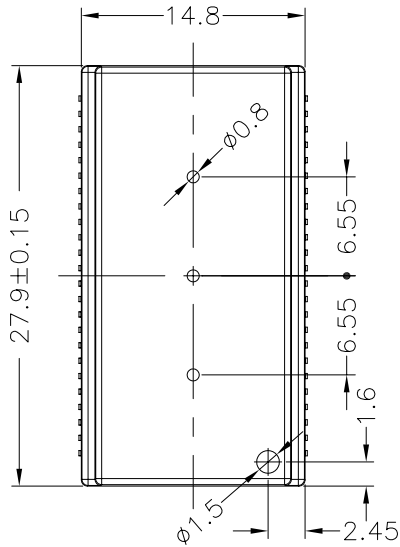


TRANSFORMER BOBBIN  
INDUSTRIAL CO.,LTD.

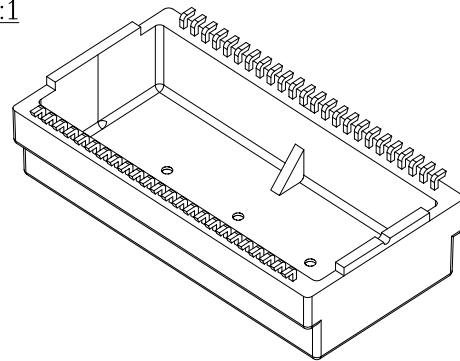
Tel : 86-769-88789999 Fax : 86-769-88789989  
http:// tbi-tw.com e-mail : tb6688@ms46.hinet.net

REVISIONS

REV	SYM	DRAFTER	CHECKER	DATE
△1		T.S.LII	W.H.HSU	07/18/06
△2		T.S.LII	W.H.HSU	04/02/07
△3				



DETAIL A-10:1  
PATENTED



NOTE:CASE 頂部共面度為0.15 MAX.

DWG NO.	C5012-48P-L-1.02-A-1				
PART NO.	MATERIAL (BOBBIN)	MATERIAL (TERMINAL)	TERMINAL (PLATING)	PIN ALLOCATION	NOTE
TBI-113-07011.103	PM-9630	P.B	Sn	ALL PIN	54GTR1201101

	TOLERANCE: .X±0.15 .XX±0.10 .XXX±0.05			UNIT : m / m	SCALE 2 : 1
	Finish: 1. Pb wire Immersion Sn on terminal : Thickness:Sn plating,100,5 μm (200 μ inches) min,Base nickel 0.625 μm (25 μ inches) min. 2. CP wire Immersion Sn on terminal : Thickness:Sn plating,100,5 μm (200 μ inches) min. 3. Coplanarity deviation: 0.10 mm (0.004 inches) max.				REV