

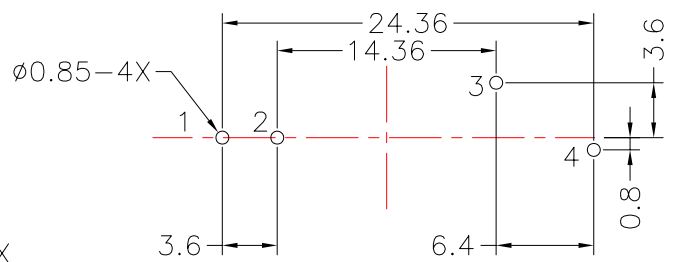
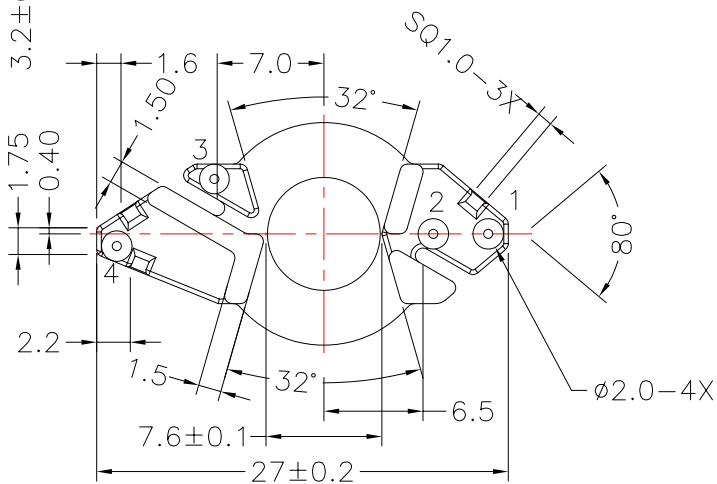
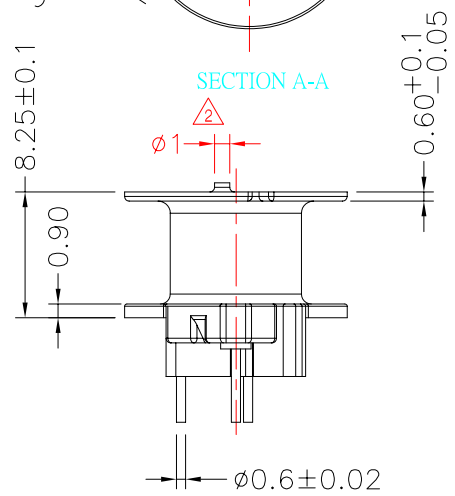
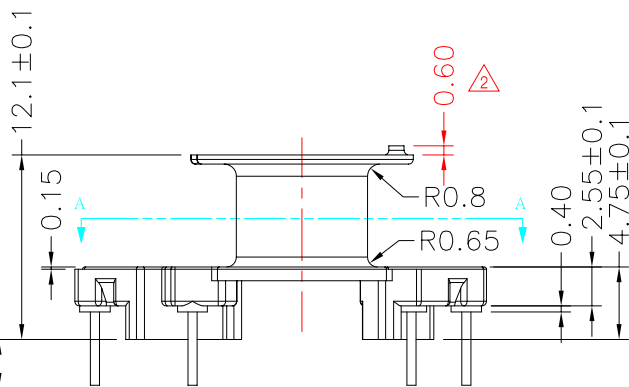
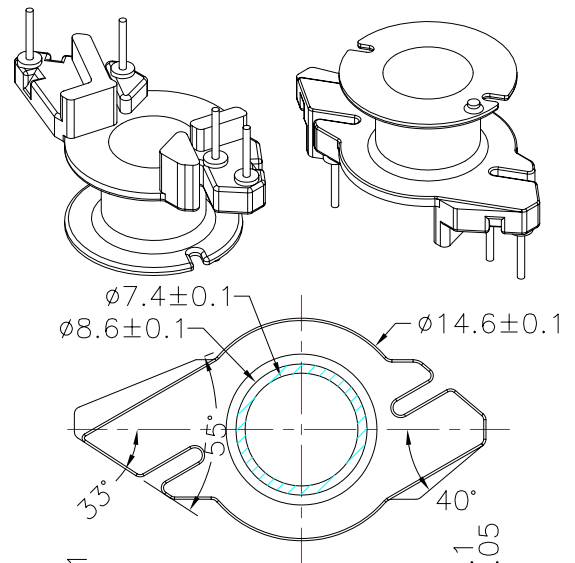
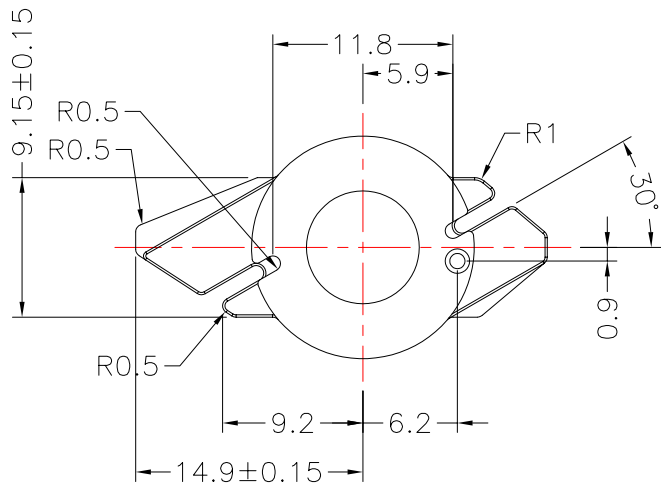


**TRANSFORMER BOBBIN
INDUSTRIAL CO.,LTD.**

Tel : 86-769-88789999 Fax : 86-769-88789989
http:// tbi-tw.com e-mail : tb6688@ms46.hinet.net

REVISIONS

REV	SYM	DRAFTER	CHECKER	DATE
1		G.F.YANG	W.H.HSU	11/19/08
2		G.F.YANG	W.H.HSU	12/18/08
3				



DWG NO. RM7-4P-TH-D-12

PART NO.	MATERIAL (BOBBIN)	MATERIAL (TERMINAL)	TERMINAL (PLATING)	PIN ALLOCATION	NOTE
TBI-208-09041.1206	PM-9820	C.P WIRE	Sn	ALL PIN	
TBI-208-09041.1216	PM-9820	C.P WIRE	Sn	CUT PIN #1	

TOLERANCE	X.X	X.XX	UNIT : m/m	SCALE 2:1
	0~10	±0.2		
10~20	±0.3	±0.15		
> 20	±0.5	±0.25		

Finish: 1. Pb wire Immersion Sn on terminal : Thickness:Sn plating,100,5 μm (200 μ inches) min,Base nickel 0.625 μm (25 μ inches) min.
2. CP wire Immersion Sn on terminal : Thickness:Sn plating,100,5 μm (200 μ inches) min.
3. Coplanarity deviation: 0.10 mm (0.004 inches) max.

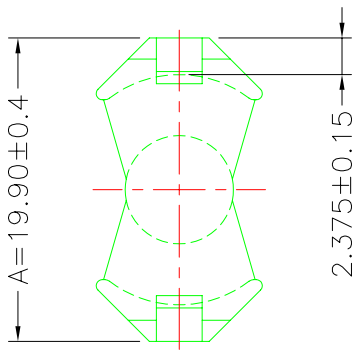
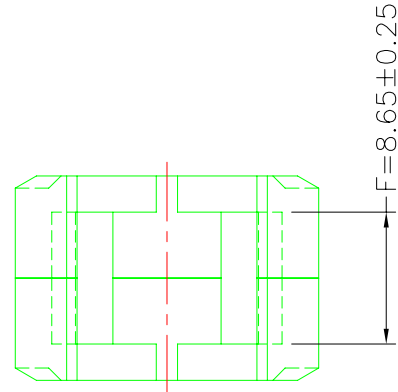
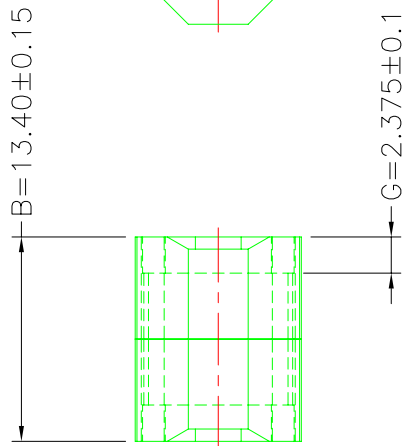
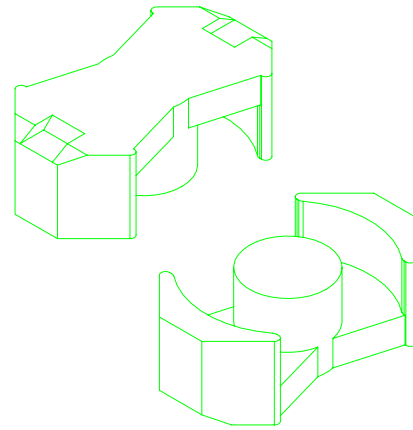
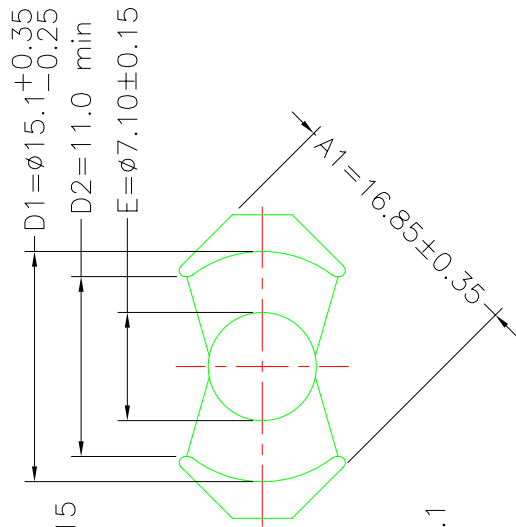
REV 2

A-CORE

ELECTRICAL CO.

A-CORE JIANGMEN ELECTRONICS CO.,LTD
 江门安磁电子有限公司
 Tel: 86-750-3867791 Fax : 86-750-3867787

REVISIONS				
REV	SYM	DRAFTER	CHECKER	DATE
1		X.H.GU	G.F.YANG	03/21/09
2				
3				



Core Set Parameters
 $A_e = 39.6 \text{ mm}^2$
 $L_e = 35.2 \text{ mm}$
 $C_1 = 0.89 \text{ mm}^{-1}$
 $V_e = 1393.92 \text{ mm}^3$

DWG NO.	RM7/13.4 CORE				
PART NO.	MATERIAL (BOBBIN)	MATERIAL (TERMINAL)	TERMINAL (PLATING)	PIN ALLOCATION	NOTE
RM7/13.4 CORE	JPP-44A				
RM7/13.4 CORE	JPP-95				
Finish:				UNIT : m/m	SCALE 2 : 1
				REV	1

A-CORE

A-CORE JIANGMEN ELECTRONICS CO.,LTD
 江門安磁電子有限公司

TBI

TRANSFORMER BOBBIN
 INDUSTRIAL CO.,LTD.

ELECTRICAL CO. Tel : 86-750-3867791 Fax : 86-750-3867787

Tel : 86-769-88789999 Fax : 86-769-88789989

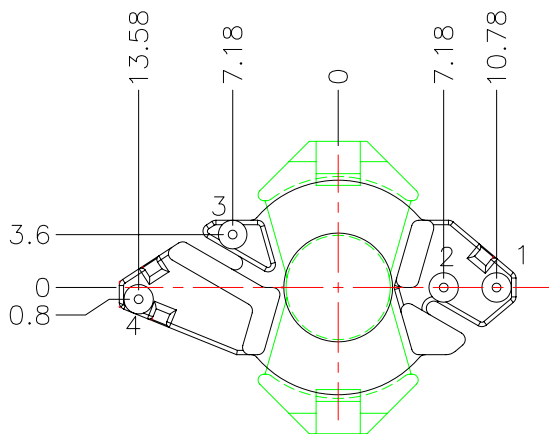
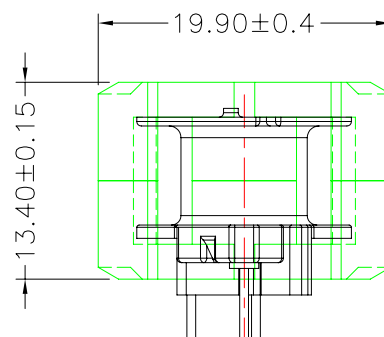
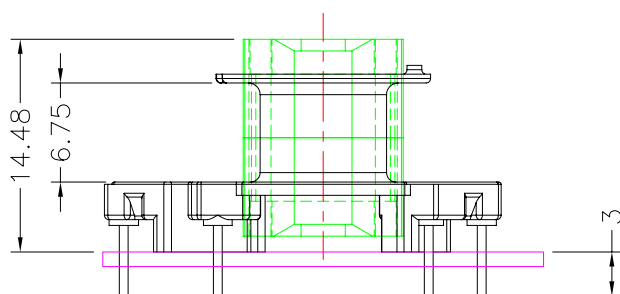
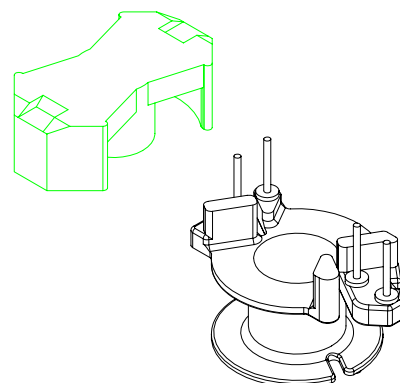
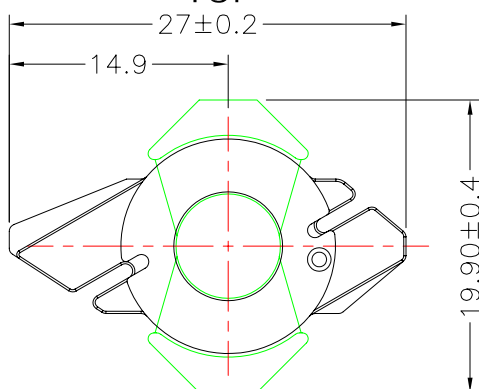
e-mail : sales@acore-ferrite.com

http:// tbi-tw.com e-mail : tb6688@ms46.hinet.net

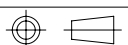
REVISIONS

REV	SYM	DRAFTER	CHECKER	DATE
1		H.X.DUAN	G.F.YANG	02/18/11
2				
3				

TOP



BOTTOM

ITEM	PART NO.	MATERIAL	DWG NO.	Core Set Parameters
CORE	RM7/13.4	JPP-44A		Ae=39.6mm ² Le=35.2mm C1=0.89mm ⁻¹ Ve=1393.92mm ³
CORE	RM7/13.4	JPP-95		
BOBBIN	TBI-208-09041.12XX		RM7-4P-TH-D-12	
 UNIT : m/m				SCALE 2:1
				REV 2