

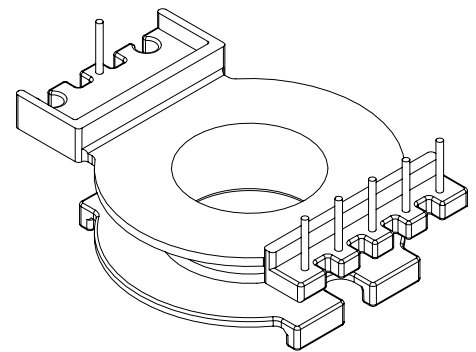
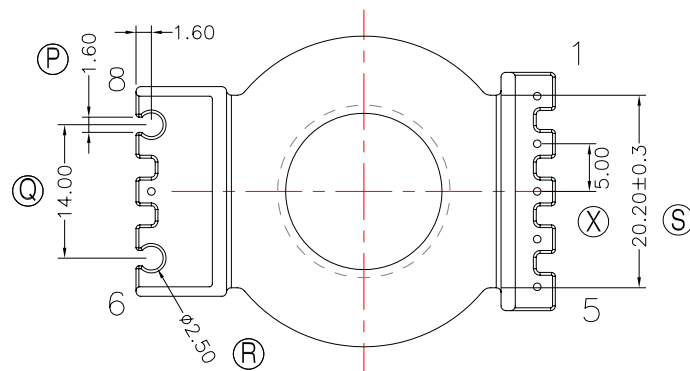
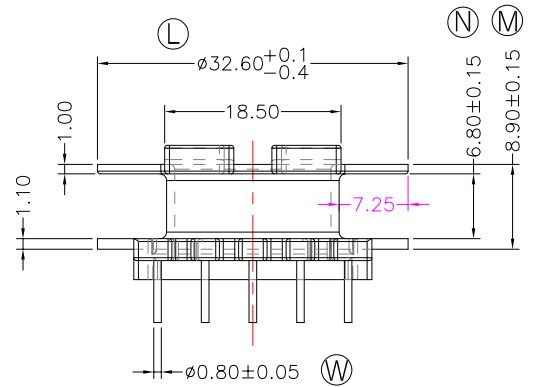
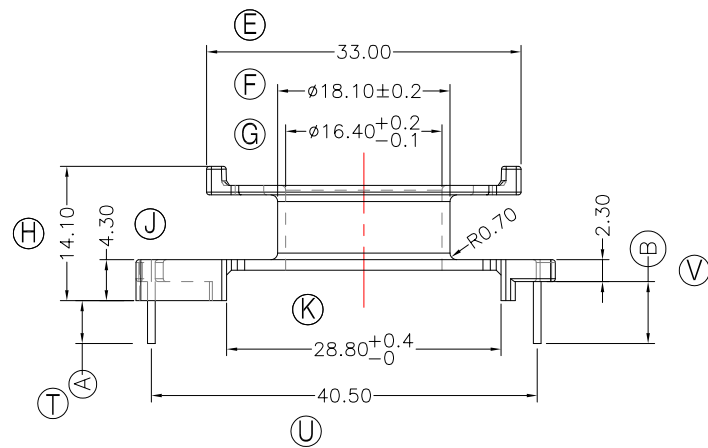
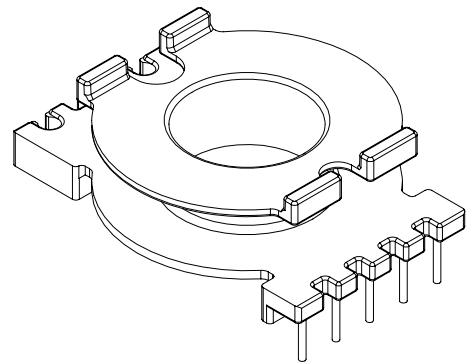
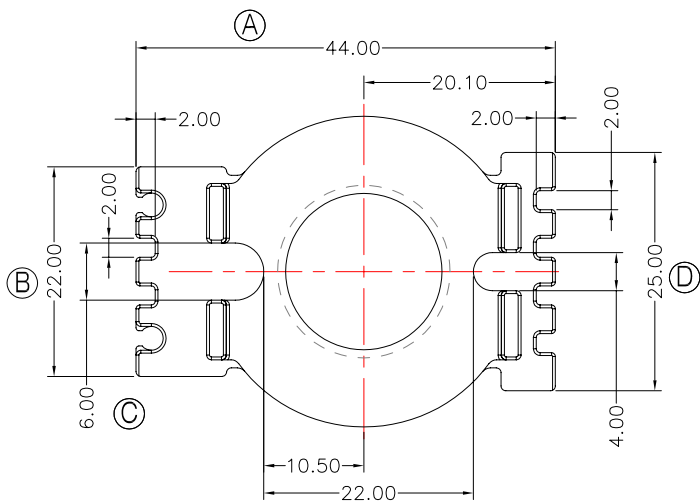


TRANSFORMER BOBBIN  
INDUSTRIAL CO.,LTD.

Tel : 86-769-88789999 Fax : 86-769-88789989  
http:// tbi-tw.com e-mail : tb6688@ms46.hinet.net

REVISIONS

REV	SYM	DRAFTER	CHECKER	DATE
1		X.H.GU	G.F.YANG	10/24/11
2				
3				



- 注: 1.任意一點強度須1.5kg MIN;  
2.PIN拉力須焊前1.0Kg MIN焊后2.0Kg MIN.  
3.WINDING SPACE: 7.25mm\*6.8mm=49.3mm<sup>2</sup>

DWG NO. CC40-15.4H-8P-TH-C0-11

PART NO.	MATERIAL (BOBBIN)	MATERIAL (TERMINAL)	TERMINAL (PLATING)	PIN ALLOCATION	NOTE
TBI-239-01301.1106	PM-9630	CP WIRE	Sn	ALL PIN (A)=4.5±0.3 (B)=6.5±0.3	S
TBI-239-01301.1116	PM-9630	CP WIRE	Sn	ALL PIN (A)=3.3±0.3 (B)=5.3±0.3	H
TBI-239-01301.1126	PM-9630	CP WIRE	Sn	CUT PIN#5 (A)=3.3±0.3 (B)=5.3±0.3	
TBI-239-01301.1136	PM-9630	CP WIRE	Sn	ALL PIN (A)=3.5±0.2 (B)=5.5±0.2	
TBI-239-01301.1146	PM-9630	CP WIRE	Sn	CUT PIN#5 (A)=3.5±0.2 (B)=5.5±0.3	
TBI-239-01301.1156	PM-9630	CP WIRE	Sn	ALL PIN (A)=3.7±0.15 (B)=5.7±0.15	暫無刀模

TOLERANCE: 0<L<=4:±0.1 4<L<=16:±0.2 16<L:±0.3 PIN PITCH:±0.2 UNIT : m / m SCALE 1 : 1

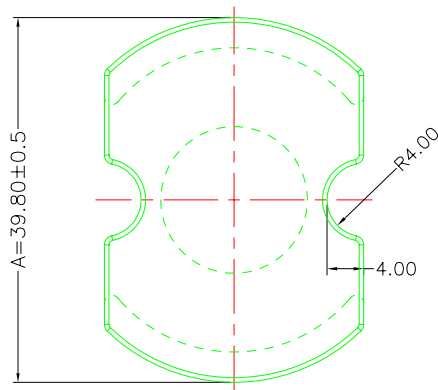
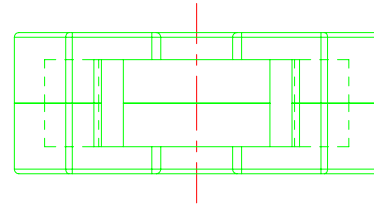
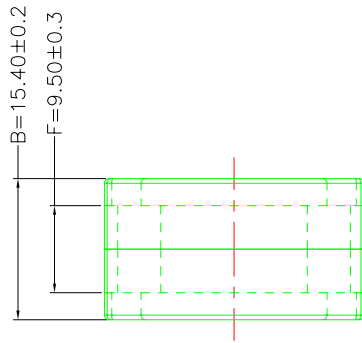
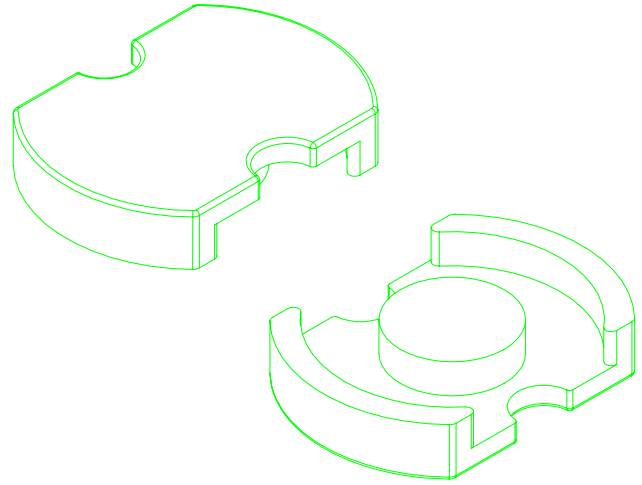
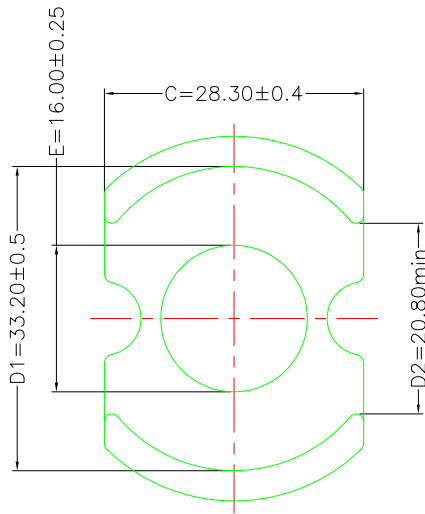
Finish: 1. PB wire Immersion Sn on terminal : Thickness:Sn plating,100,5 μm (200 μ inches) min,Base nickel 0.625 μm (25 μ inches) min.  
2. CP wire Immersion Sn on terminal : Thickness:Sn plating,100,5 μm (200 μ inches) min.  
3. Coplanarity deviation: 0.10 mm (0.004 inches) max.

REV 1

**A-CORE**  
ELECTRICAL CO.

A-CORE JIANGMEN ELECTRONICS CO.,LTD  
江門安磁電子有限公司  
Tel : 86-750-3867791 Fax : 86-750-3867787

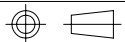
REVISIONS				
REV	SYM	DRAFTER	CHECKER	DATE
1		X.H.GU	G.F.YANG	10/24/11
2				
3				



Core Set Parameters

$A_e=187\text{mm}^2$   
 $L_e=47.1\text{mm}$   
 $C_1=0.252\text{mm}^{-1}$   
 $V_e=8807.7\text{mm}^3$

DWG NO.	CC40/15.4H CORE				
PART NO.	MATERIAL (BOBBIN)	MATERIAL (TERMINAL)	TERMINAL (PLATING)	PIN ALLOCATION	NOTE
CC40/15.4H	JPP-44A				
CC40/15.4H	JPP-95				



TOLERANCE:  $0 < L \leq 4: \pm 0.1$   $4 < L \leq 16: \pm 0.2$   $16 < L: \pm 0.3$

UNIT : m / m

SCALE 1 : 1

REV 1

**A-CORE**

A-CORE JIANGMEN ELECTRONICS CO.,LTD  
 江門安磁電子有限公司

**TBI**

TRANSFORMER BOBBIN  
 INDUSTRIAL CO.,LTD.

ELECTRICAL CO. Tel : 86-750-3867791 Fax : 86-750-3867787

Tel : 86-769-88789999 Fax : 86-769-88789989

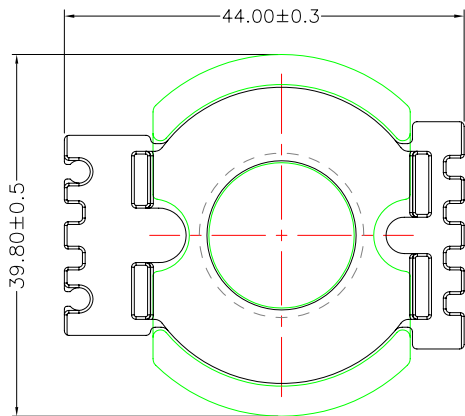
e-mail : sales@acore-ferrite.com

http:// tbi-tw.com e-mail : tb6688@ms46.hinet.net

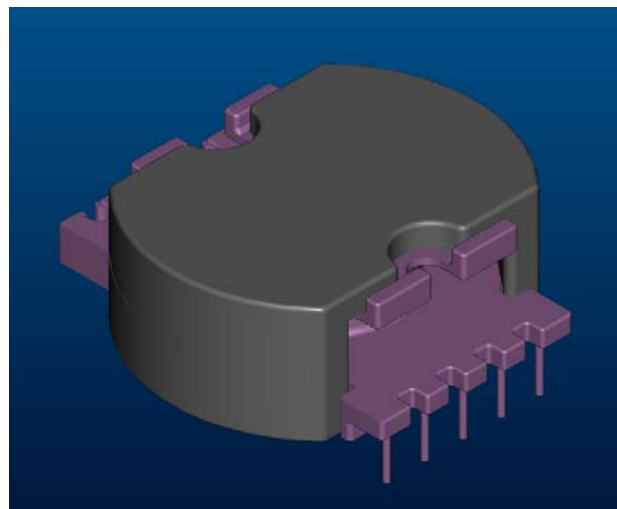
REVISIONS

REV	SYM	DRAFTER	CHECKER	DATE
1		X.H.GU	G.F.YANG	10/24/11
2				
3				

TOP



TOP



A

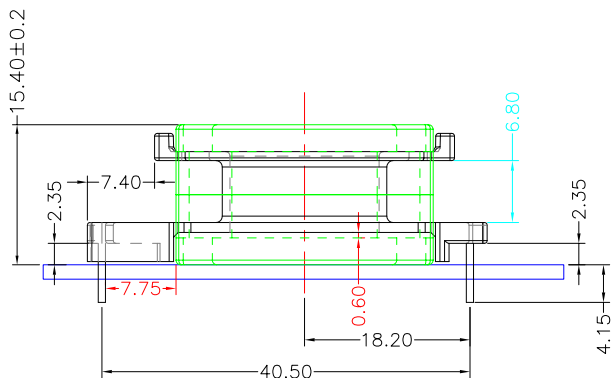
A

B

B

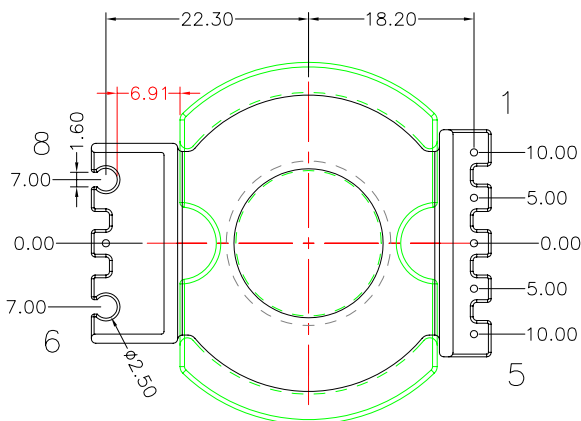
C

C

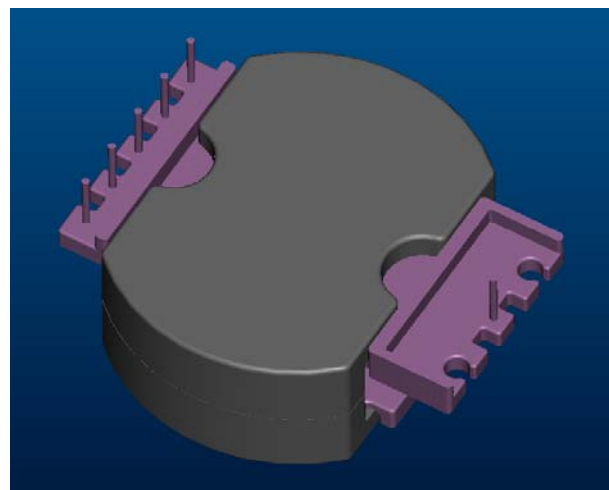


D

D



BOTTOM



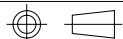
E

E

ITEM	PART NO.	MATERIAL	DWG NO.	Core Set Parameters
CORE	CC40/15.4H	JPP-44A		$A_e=187\text{mm}^2$ $L_e=47.1\text{mm}$ $C_1=0.252\text{mm}^{-1}$ $V_e=8807.7\text{mm}^3$
CORE	CC40/15.4H	JPP-95		
BOBBIN	TBI-239-01301.11XX		CC40-15.4H-8P-TH-C0-11	

F

F



UNIT : m / m

SCALE 1 : 1

REV 1