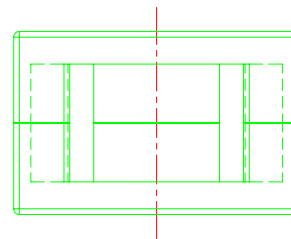
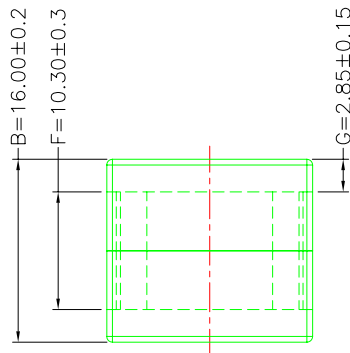
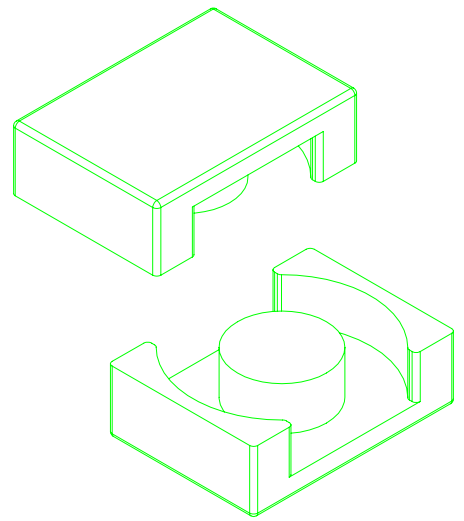
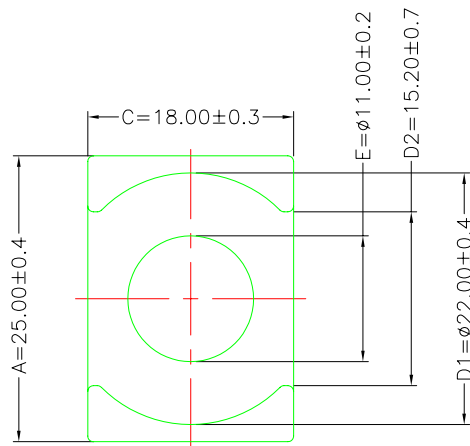


A-CORE
ELECTRICAL CO.

A-CORE JIANGMEN ELECTRONICS CO.,LTD
 江门安磁电子有限公司
 Tel: 86-750-3867791 Fax : 86-750-3867787

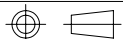
| REVISIONS | | | | |
|-----------|-----|---------|----------|----------|
| REV | SYM | DRAFTER | CHECKER | DATE |
| ① | | X.H.GU | G.F.YANG | 08/28/18 |
| ② | | | | |
| ③ | | | | |



Core Set Parameters

$A_e=99.7\text{mm}^2$
 $L_e=43.2\text{mm}$
 $C_1=0.433\text{mm}^{-1}$
 $V_e=4302\text{mm}^3$

| | | | | |
|----------|-----------------|--|--|------|
| DWG NO. | EQ25/16-CORE | | | |
| PART NO. | MATERIAL (CORE) | | | NOTE |
| EQ25/16 | JPP-44A | | | |
| EQ25/16 | JPP-95 | | | |
| | | | | |
| | | | | |
| | | | | |



TOLERANCE: 0<L<=4: ±0.1 4<L<=16: ±0.2 16<L<=63: ±0.3

UNIT : m/m

SCALE 1 : 1

REV 1

A-COREA-CORE JIANGMEN ELECTRONICS CO.,LTD
江門安磁電子有限公司**TBI**TRANSFORMER BOBBIN
INDUSTRIAL CO.,LTD.

ELECTRICAL CO. Tel : 86-750-3867791 Fax : 86-750-3867787

Tel : 86-769-88789999 Fax : 86-769-88789989

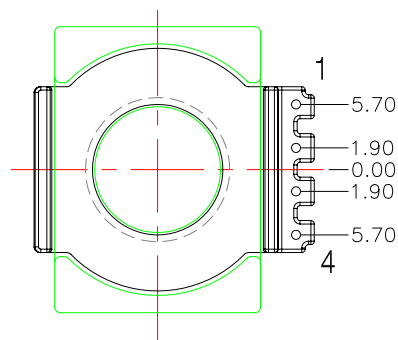
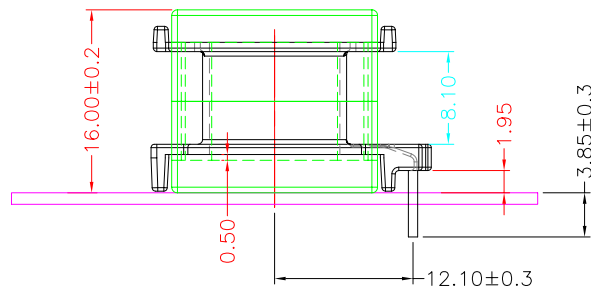
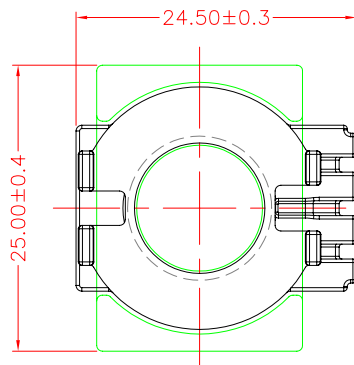
e-mail : sales@acore-ferrite.com

http:// tbi-tw.com e-mail : tb6688@ms46.hinet.net

REVISIONS

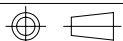
| REV | SYM | DRAFTER | CHECKER | DATE |
|-----|-----|----------|----------|----------|
| △1 | | G.F.YANG | W.H.HSU | 09/18/09 |
| △2 | | X.H.GU | G.F.YANG | 08/28/18 |
| △3 | | | | |

TOP



BOTTOM

| ITEM | PART NO. | MATERIAL | DWG NO. | Core Set Parameters |
|--------|--------------------|----------|-----------------------|--|
| CORE | EQ25/16 | JPP-44A | | $A_e=99.7\text{mm}^2$ $L_e=43.2\text{mm}$ $C_1=0.433\text{mm}^{-1}$ $V_e=4302\text{mm}^3$ |
| CORE | EQ25/16 | JPP-95 | | |
| BOBBIN | TBI-235-01091.12XX | | EQ25-15.5A-4P-TH-J-12 | |
| | | | | |



UNIT : m / m

SCALE 1 : 1

REV

2