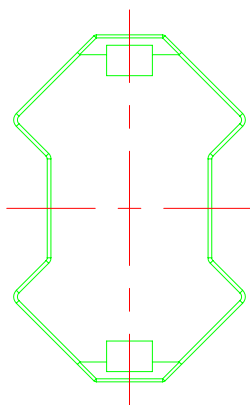
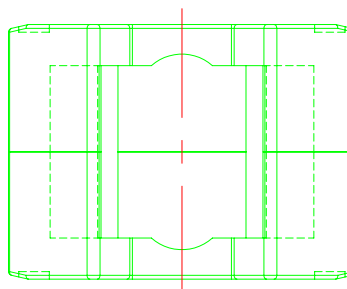
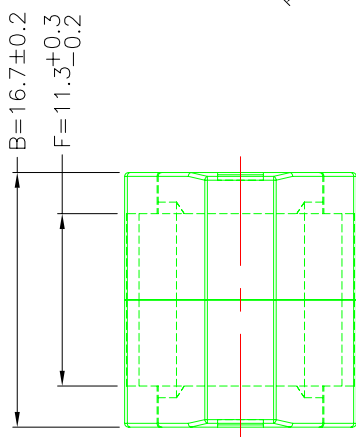
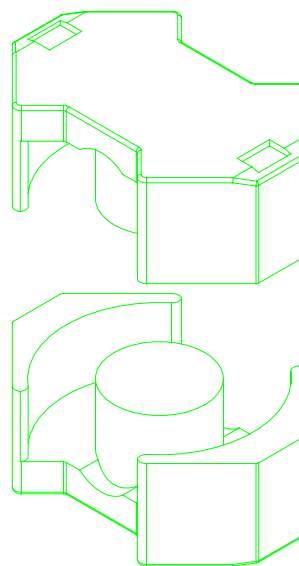
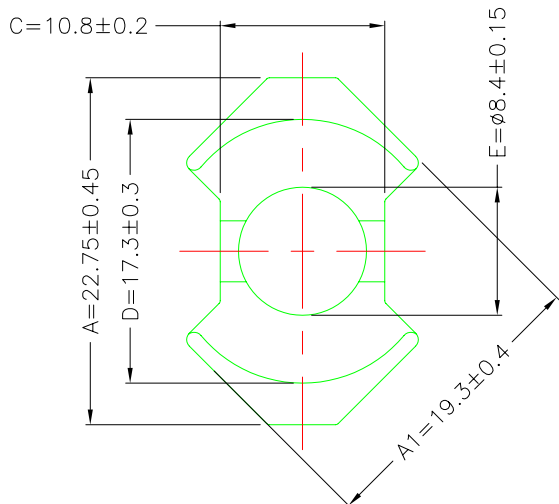




**A-CORE**  
ELECTRICAL CO.

A-CORE JIANGMEN ELECTRONICS CO.,LTD  
 江门安磁电子有限公司  
 Tel: 86-750-3867791 Fax : 86-750-3867787

REVISIONS				
REV	SYM	DRAFTER	CHECKER	DATE
1		YAN.TANG	G.F.YANG	03/04/10
2				
3				



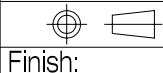
### Core Set Parameters

$A1$  (Limbs) =  $65.1\text{mm}^2$   
 $A2$ (Back wall) =  $64.8\text{mm}^2$   
 $A3$ (Center post) =  $55.4\text{mm}^2$   
 $Ae$  =  $64.0\text{mm}^2$   
 $Le$  =  $38.0\text{mm}$   
 $C1$  =  $0.594\text{mm}^{-1}$   
 $Ve$  =  $2432\text{mm}^3$

DWG NO.	RM8/16.7- CORE				
PART NO.	MATERIAL (BOBBIN)	MATERIAL (TERMINAL)	TERMINAL (PLATING)	PIN ALLOCATION	NOTE
RM8/16.7	JPP-44A				
RM8/16.7	JPP-95				

UNIT : m/m

SCALE 1 : 1



Finish:

REV 1

**A-CORE**

A-CORE JIANGMEN ELECTRONICS CO.,LTD  
江門安磁電子有限公司

**TBI**

TRANSFORMER BOBBIN  
INDUSTRIAL CO.,LTD.

ELECTRICAL CO. Tel : 86-750-3867791 Fax : 86-750-3867787

Tel : 86-769-88789999 Fax : 86-769-88789989

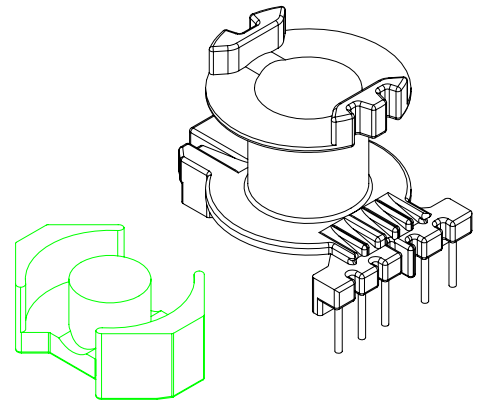
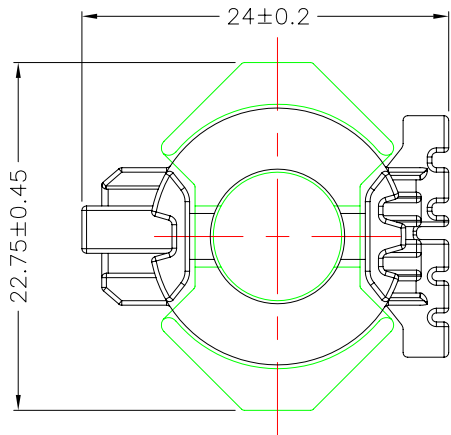
e-mail : sales@acore-ferrite.com

http:// tbi-tw.com e-mail : tb6688@ms46.hinet.net

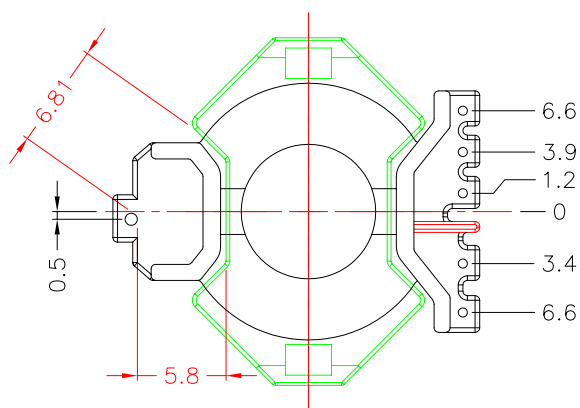
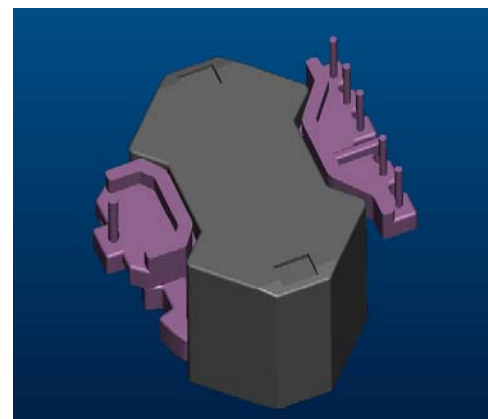
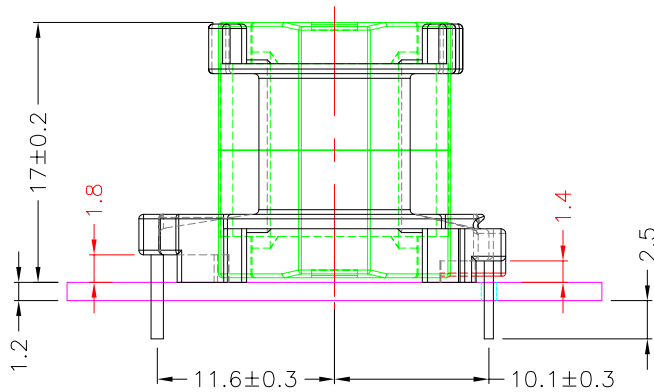
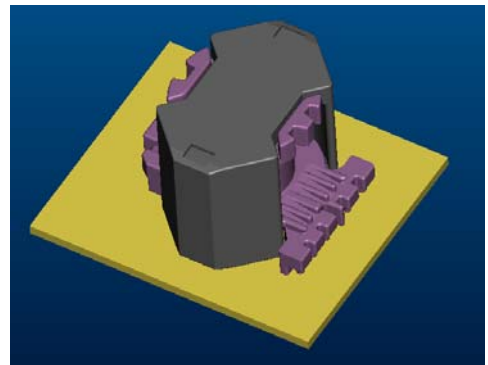
REVISIONS

REV	SYM	DRAFTER	CHECKER	DATE
△1		YAN.TANG	G.F.YANG	03/04/10
△2		X.H.GU	G.F.YANG	05/06/10
△3		H.X.DUAN	G.F.YANG	08/24/11

TOP

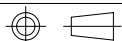


TOP



BOTTOM

ITEM	PART NO.	MATERIAL	DWG NO.	Core Set Parameters
CORE	RM8/16.7	JPP-44A		$A_e=64.0\text{mm}^2$ $L_e=38.0\text{mm}$ $C_1=0.594\text{mm}^{-1}$ $V_e=2432\text{mm}^3$
CORE	RM8/16.7	JPP-95		
BOBBIN	TBI-208-05131.11XX		RM8-6P-TH-A3-11	



UNIT : m/m

SCALE 1 : 1

REV 3