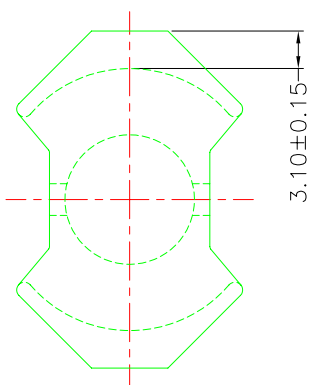
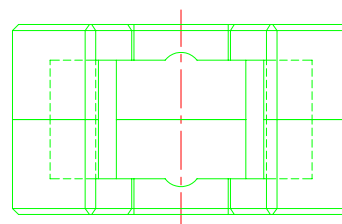
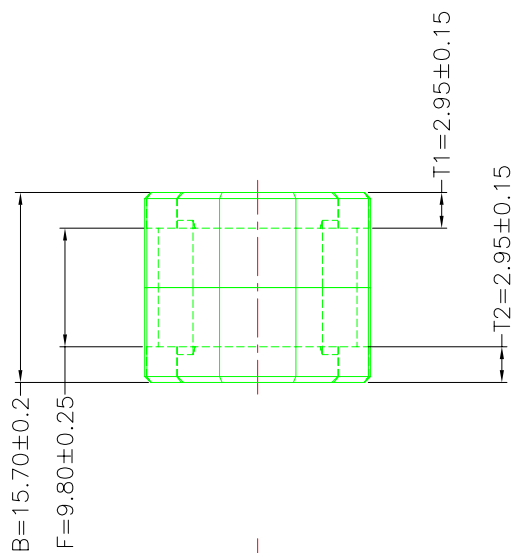
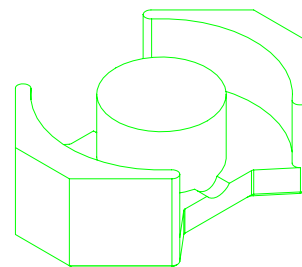
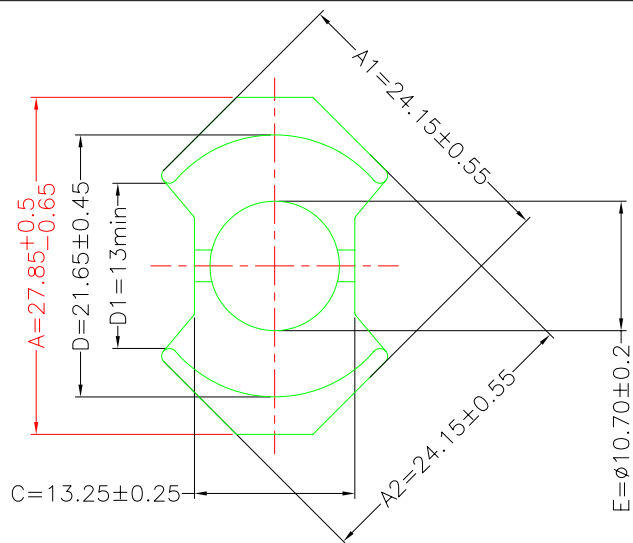


A-CORE
ELECTRICAL CO.

A-CORE JIANGMEN ELECTRONICS CO.,LTD
 江门安磁电子有限公司
 Tel: 86-750-3867791 Fax : 86-750-3867787

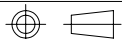
REVISIONS				
REV	SYM	DRAFTER	CHECKER	DATE
①		X.H.GU	G.F.YANG	05/25/17
②				
③				



Core Set Parameters

$A_e=98.00\text{mm}^2$
 $L_e=?\text{mm}$
 $C1=?\text{mm}^{-1}$
 $V_e=?\text{mm}^3$

DWG NO.	RM10/15.7G CORE				
PART NO.	MATERIAL (BOBBIN)	MATERIAL (TERMINAL)	TERMINAL (PLATING)	PIN ALLOCATION	NOTE
RM10/15.7G	JPP-44A				
RM10/15.7G	JPP-95				



Finish:

UNIT : m/m

SCALE 1 : 1

REV 1

A-CORE

A-CORE JIANGMEN ELECTRONICS CO.,LTD
江門安磁電子有限公司

TBI

TRANSFORMER BOBBIN
INDUSTRIAL CO.,LTD.

ELECTRICAL CO. Tel : 86-750-3867791 Fax : 86-750-3867787

Tel : 86-769-88789999 Fax : 86-769-88789989

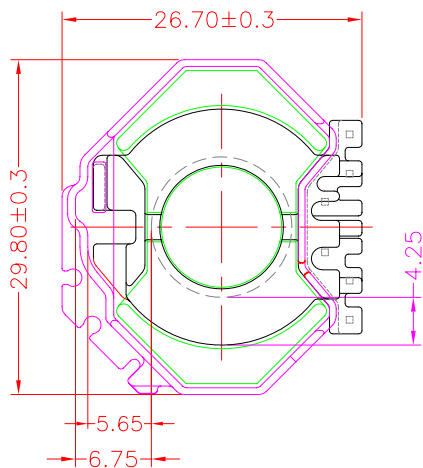
e-mail : sales@acore-ferrite.com

http://tbi-tw.com e-mail : tb6688@ms46.hinet.net

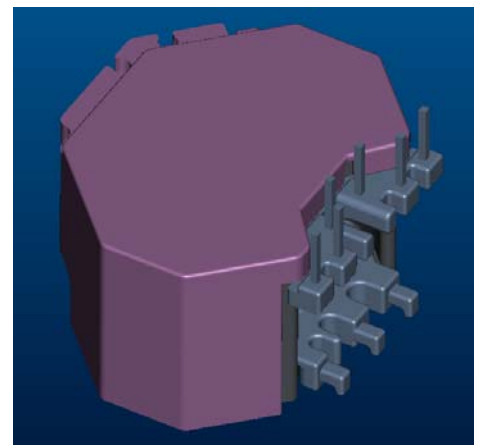
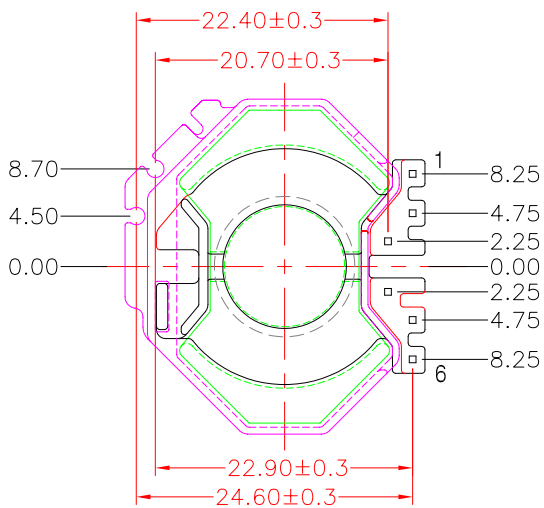
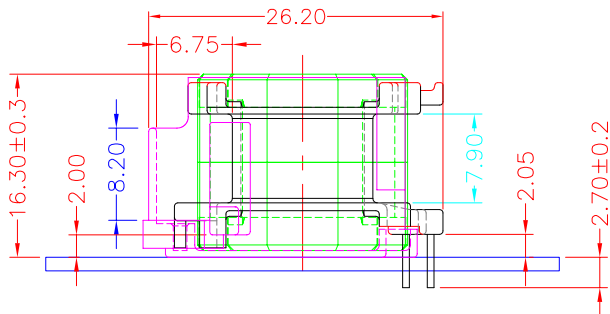
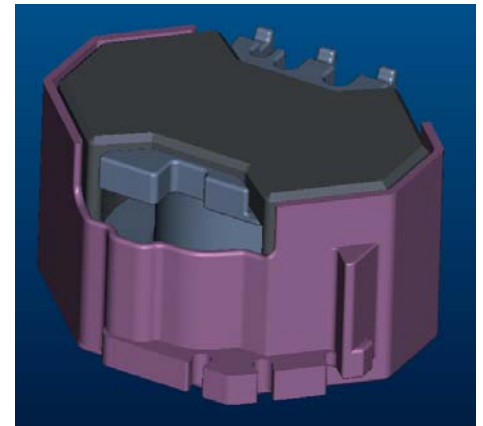
REVISIONS

REV	SYM	DRAFTER	CHECKER	DATE
△2		X.H.GU	G.F.YANG	08/29/17
△3		X.H.GU	G.F.YANG	12/19/17
△4		X.H.GU	G.F.YANG	01/03/18

TOP

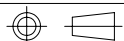


TOP



BOTTOM

ITEM	PART NO.	MATERIAL	DWG NO.	Core Set Parameters
CORE	RM10/15.7G	JPP-44A		
CORE	RM10/15.7G	JPP-95		
BOBBIN	TBI-208-04651.11XX		RM10-15.7G-6P-TH-F5-11	
CASE	TBI-208-04661.11C		RM10-15.7G-CASE-F6-11	



UNIT : m/m

SCALE 1 : 1

REV 4