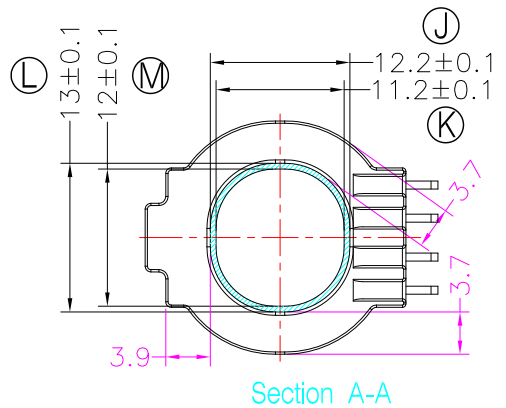
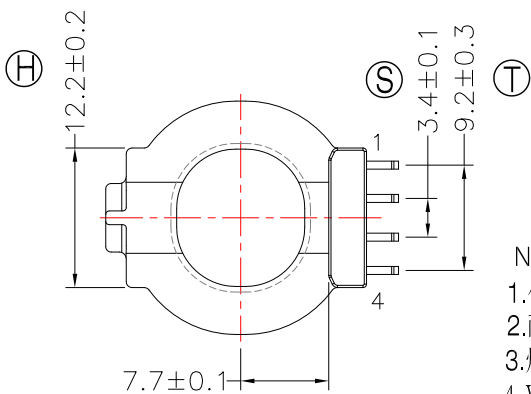
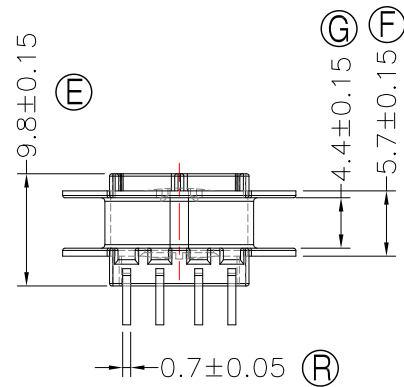
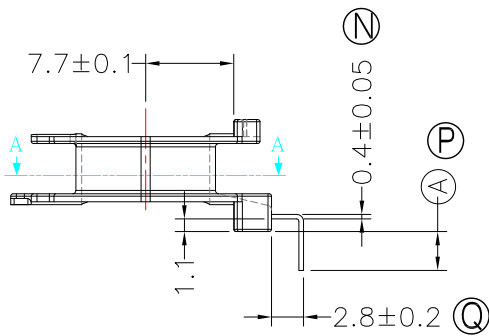
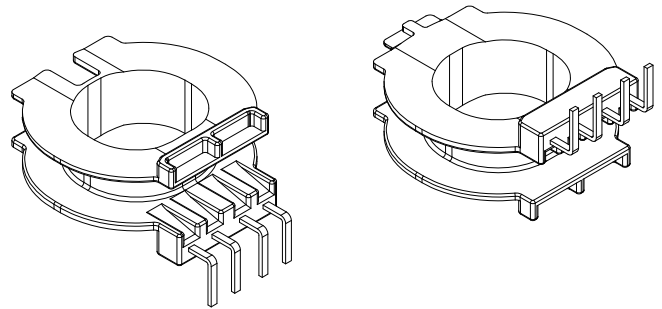
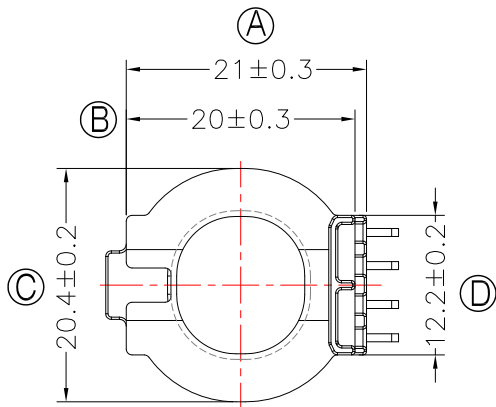




TRANSFORMER BOBBIN
INDUSTRIAL CO.,LTD.

Tel : 86-769-88789999 Fax : 86-769-88789989
http:// tbi-tw.com e-mail : tb6688@ms46.hinet.net

REVISIONS				
REV	SYM	DRAFTER	CHECKER	DATE
1		X.H.GU	G.F.YANG	12/08/14
2				
3				



NOTE:

- 任意一點強度須1.5kg MIN;
- 耐壓4.0Kv /1.5mA 60S;
- 焊錫溫度:450°±10° 3SEC;
- WINDING SPACE:3.7mm*4.4mm=16.28 mm²
- 焊錫前拉力:1.0KG MIN,焊錫後拉力:1.5KG MIN;

DWG NO. ATQ24-11.2A-4P-TL-5E-11

PART NO.	MATERIAL (BOBBIN)	MATERIAL (TERMINAL)	TERMINAL (PLATING)	PIN ALLOCATION	NOTE
TBI-238-01551.1106	PM-9630	C.P WIRE	Sn	ALL PIN (A)=3.4±0.3	S
TBI-238-01551.1116	PM-9630	C.P WIRE	Sn	NO PIN #2 (A)=5.0±0.3	H
TBI-238-01551.1126	PM-9630	C.P WIRE	Sn	NO PIN #2 (A)=3.4±0.2	
TBI-238-01551.1136	PM-9630	C.P WIRE	Sn	ALL PIN (A)=5.0±0.3	
TBI-238-01551.1146	PM-9630	C.P WIRE	Sn	ALL PIN (A)=3.8±0.2	
TBI-238-01551.1156	PM-9630	C.P WIRE	Sn	ALL PIN (A)=3.0±0.2	

TOLERANCE: 0<L<=4:±0.1 4<L<=16:±0.2 16<L<=63:±0.3

UNIT : m / m

SCALE 1 : 1

Finish: 1. PB wire Immersion Sn on terminal : Thickness:Sn plating,100%,5 μm (200 μ inches) min,Base nickel 0.625 μm (25 μ inches) min.
2. CP wire Immersion Sn on terminal : Thickness:Sn plating,100%,5 μm (200 μ inches) min.
3. Coplanarity deviation: 0.10 mm (0.004 inches) max.

REV 1