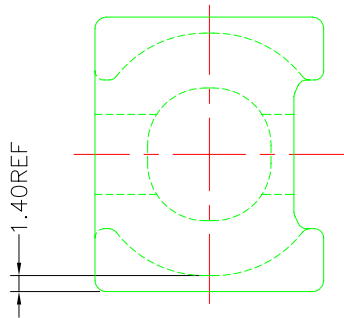
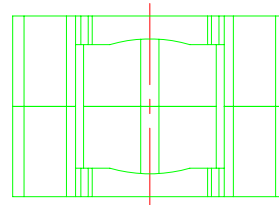
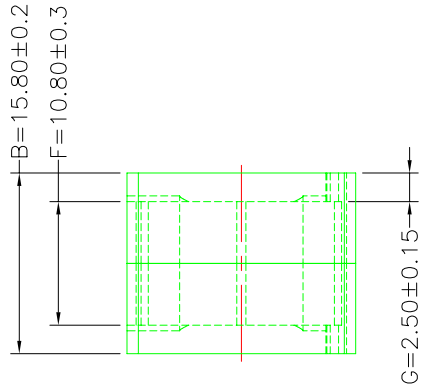
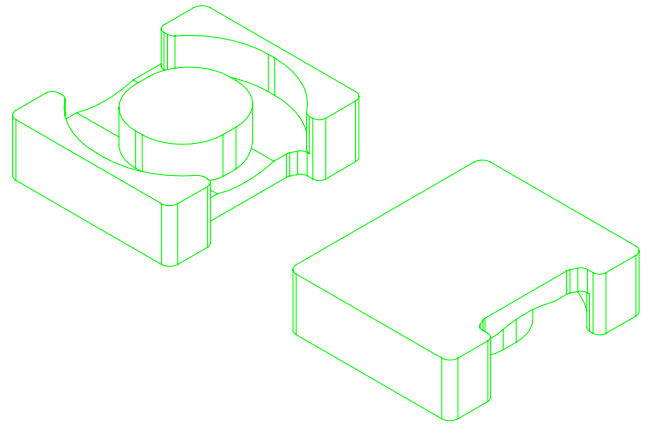
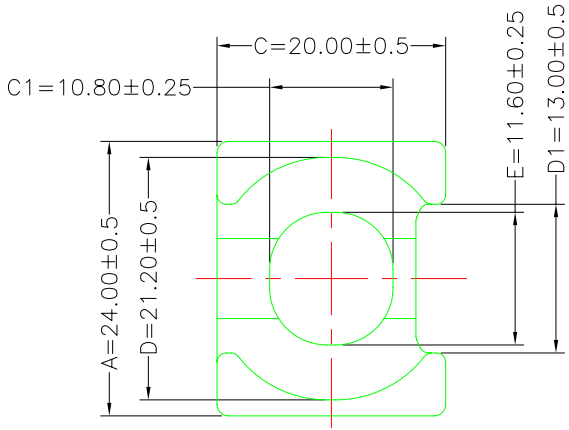




**A-CORE**  
ELECTRICAL CO.

A-CORE JIANGMEN ELECTRONICS CO.,LTD  
江門安磁電子有限公司  
Tel : 86-750-3867791 Fax : 86-750-3867787

REVISIONS				
REV	SYM	DRAFTER	CHECKER	DATE
△1		X.H.GU	G.F.YANG	05/14/15
△2				
△3				



### Core Set Parameters

$A_e = 106 \text{mm}^2$   
 $L_e = ? \text{mm}$   
 $C_1 = ? \text{mm}^{-1}$   
 $V_e = ? \text{mm}^3$

DWG NO.	ATQ24/15.8A CORE				
PART NO.	MATERIAL (BOBBIN)	MATERIAL (TERMINAL)	TERMINAL (PLATING)	PIN ALLOCATION	NOTE
ATQ24/15.8A	JPP-44A				
ATQ24/15.8A	JPP-95				

Finish:	TOLERANCE: 0<L<=4:±0.1 4<L<=16:±0.2 16<L<=63:±0.3	UNIT : m / m	SCALE 1 : 1	
			REV	1

**A-CORE**

A-CORE JIANGMEN ELECTRONICS CO.,LTD  
 江門安磁電子有限公司

**TBI**

TRANSFORMER BOBBIN  
 INDUSTRIAL CO.,LTD.

ELECTRICAL CO. Tel : 86-750-3867791 Fax : 86-750-3867787

Tel : 86-769-88789999 Fax : 86-769-88789989

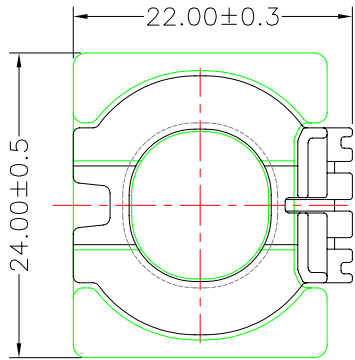
e-mail : sales@acore-ferrite.com

http:// tbi-tw.com e-mail : tb6688@ms46.hinet.net

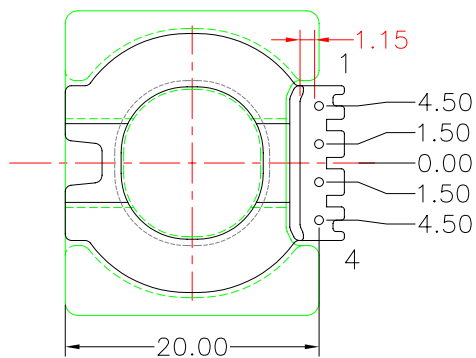
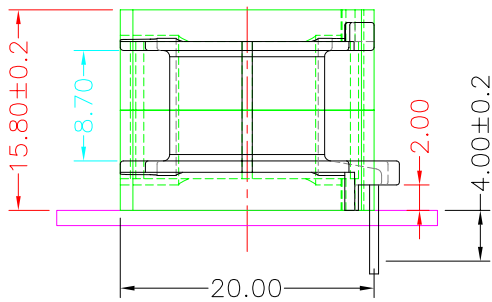
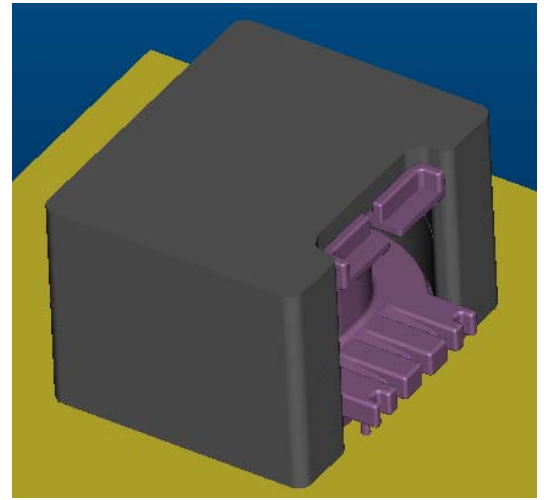
REVISIONS

REV	SYM	DRAFTER	CHECKER	DATE
△1		X.H.GU	G.F.YANG	03/06/18
△2				
△3				

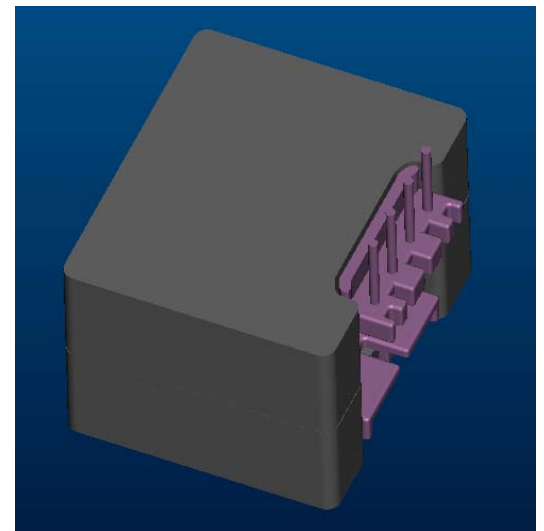
TOP



TOP

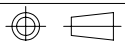


BOTTOM



BOTTOM

ITEM	PART NO.	MATERIAL	DWG NO.	Core Set Parameters
CORE	ATQ24/15.8A	JPP-44A		
CORE	ATQ24/15.8A	JPP-95		
BOBBIN	TBI-238-01591.17XX		ATQ24-15.8A-4P-TH-E9-17	



UNIT : m / m

SCALE 1 : 1

REV

1