

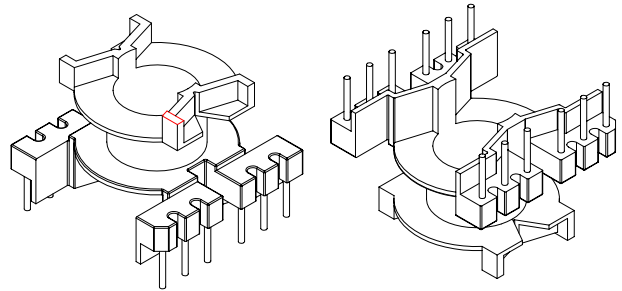
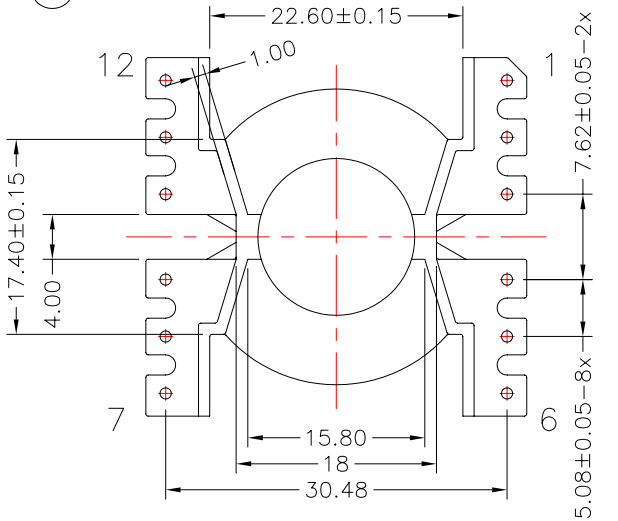
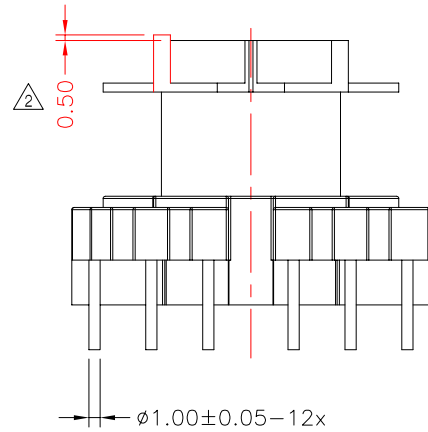
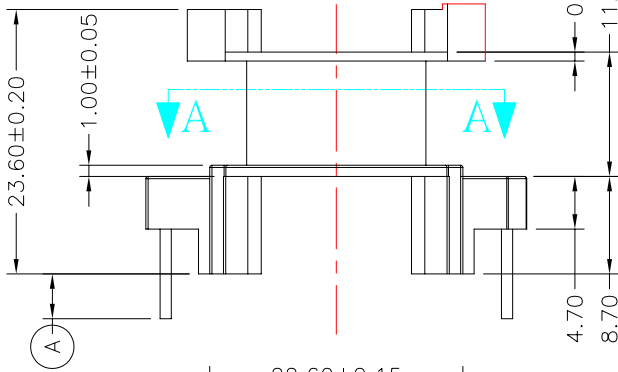
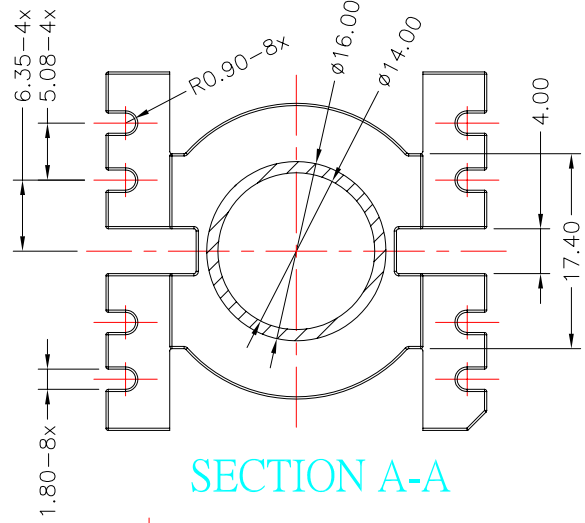
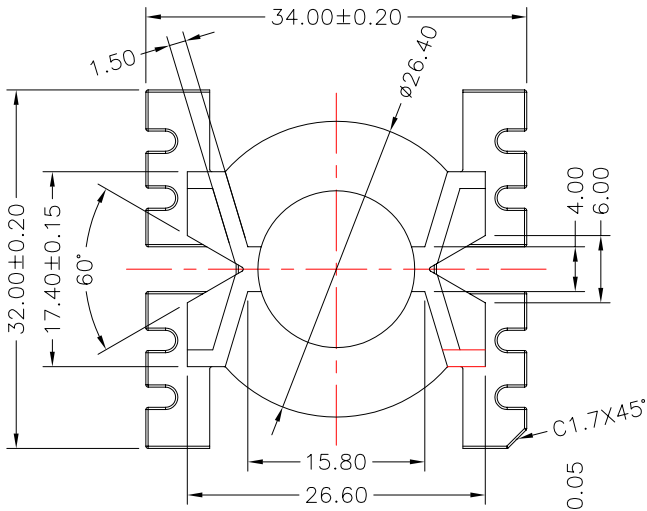


TRANSFORMER BOBBIN
INDUSTRIAL CO.,LTD.

Tel : 86-769-88789999 Fax : 86-769-88789989
http:// tbi-tw.com e-mail : tb6688@ms46.hinet.net

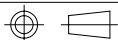
REVISIONS

REV	SYM	DRAFTER	CHECKER	DATE
①		YAN.TANG	G.F.YANG	09/05/08
②		YAN.TANG	G.F.YANG	08/07/10
③				



DWG NO. PQ3220-12P-TH-A-12

PART NO.	MATERIAL (BOBBIN)	MATERIAL (TERMINAL)	TERMINAL (PLATING)	PIN ALLOCATION	NOTE
TBI-216-13011.1206	PM-9820	CP WIRE	Sn	ALL PIN (A) = 4.0±0.2	S
TBI-216-13011.1216	PM-9820	CP WIRE	Sn	ALL PIN (A) = 4.9±0.2	H
TBI-216-13011.1226	PM-9820	CP WIRE	Sn	CUT PIN #5,6,7,8,9,12 (A) = 4.0±0.2	
TBI-216-13011.1236	PM-9820	CP WIRE	Sn	CUT PIN #12 (A) = 4.0±0.2	
TBI-216-13011.1246	PM-9820	CP WIRE	Sn	CUT PIN #2,6 (A) = 4.0±0.2	
TBI-216-13011.1256	PM-9820	CP WIRE	Sn	CUT PIN #2,5,6 (A) = 4.0±0.2	
TBI-216-13011.1266	PM-9820	CP WIRE	Sn	CUT PIN #3,4, (A) = 4.9±0.2	



TOLERANCE: ±0.1

UNIT : m / m

SCALE 3 : 2

Finish: 1. PB wire Immersion Sn on terminal : Thickness:Sn plating,100,5 μm (200 μ inches) min,Base nickel 0.625 μm (25 μ inches) min.
2. CP wire Immersion Sn on terminal : Thickness:Sn plating,100,5 μm (200 μ inches) min.
3. Coplanarity deviation: 0.10 mm (0.004 inches)max.

REV 2