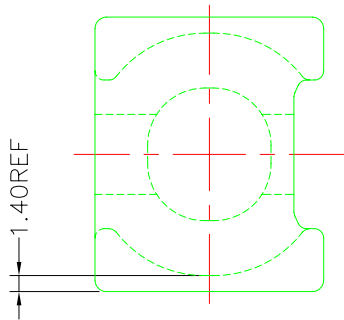
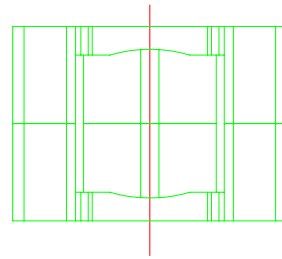
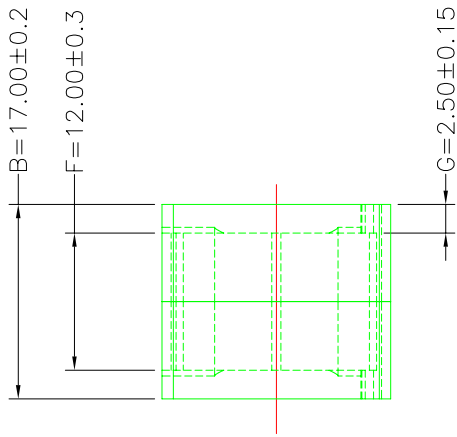
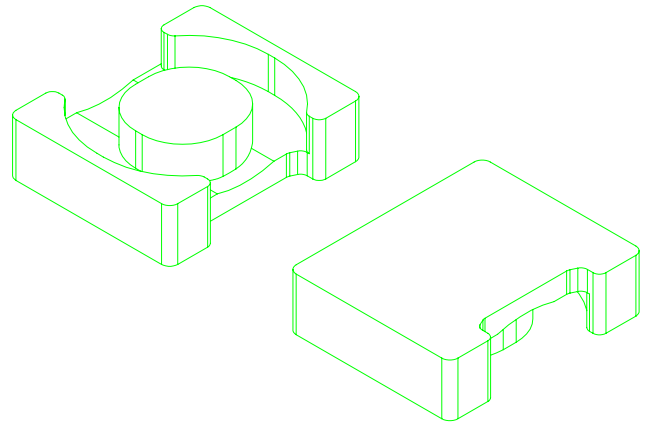
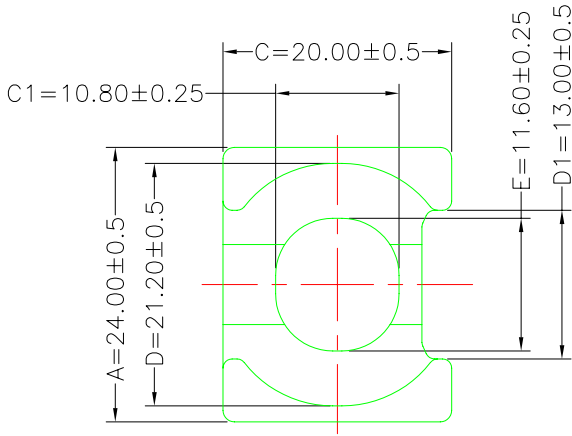


A-CORE
ELECTRICAL CO.

A-CORE JIANGMEN ELECTRONICS CO.,LTD
江門安磁電子有限公司
Tel : 86-750-3867791 Fax : 86-750-3867787

REVISIONS				
REV	SYM	DRAFTER	CHECKER	DATE
1		F.LU	G.F.YANG	04/19/12
2				
3				



Core Set Parameters

$A_e=106\text{mm}^2$
 $L_e=45.2\text{mm}$
 $C_1=0.426\text{mm}^{-1}$
 $V_e=4791.2\text{mm}^3$

DWG NO.	ATQ24/17A CORE				
PART NO.	MATERIAL (BOBBIN)	MATERIAL (TERMINAL)	TERMINAL (PLATING)	PIN ALLOCATION	NOTE
ATQ24/17A	JPP-44A				
ATQ24/17A	JPP-95				
Finish:	TOLERANCE: 0<L<=4:±0.1 4<L<=16:±0.2 16<L<=63:±0.3			UNIT : m / m	SCALE 1 : 1
				REV	1

A-COREA-CORE JIANGMEN ELECTRONICS CO.,LTD
江门安磁电子有限公司**TBI**TRANSFORMER BOBBIN
INDUSTRIAL CO.,LTD.

ELECTRICAL CO. Tel : 86-750-3867791 Fax : 86-750-3867787

Tel : 86-769-88789999 Fax : 86-769-88789989

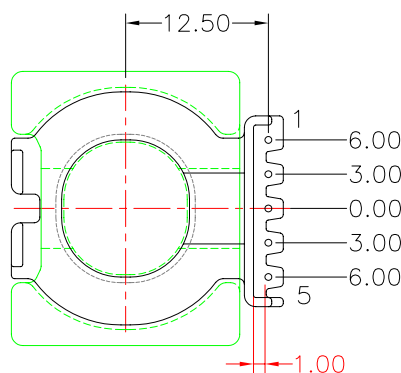
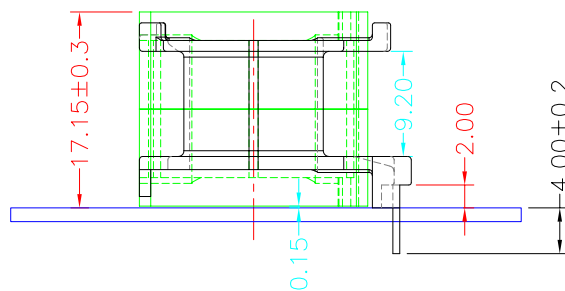
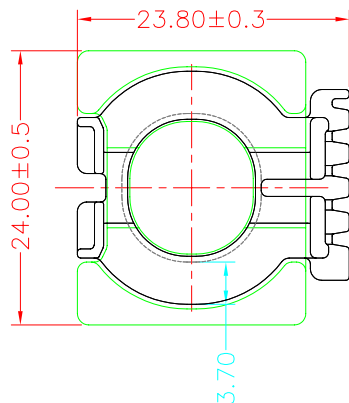
e-mail : sales@acore-ferrite.com

http:// tbi-tw.com e-mail : tb6688@ms46.hinet.net

REVISIONS

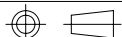
REV	SYM	DRAFTER	CHECKER	DATE
△1		M.WANG	G.F.YANG	07/12/16
△2				
△3				

TOP



BOTTOM

ITEM	PART NO.	MATERIAL	DWG NO.	Core Set Parameters
CORE	ATQ24/17A	JPP-44A		$A_e=106\text{mm}^2$ $L_e=45.2\text{mm}$ $C_1=0.426\text{mm}^{-1}$ $V_e=4791.2\text{mm}^3$
CORE	ATQ24/17A	JPP-95		
BOBBIN	TBI-238-01501.17XX		ATQ24-17A-5P-TH-E0-17	



UNIT : m / m

SCALE 1 : 1

REV

1