

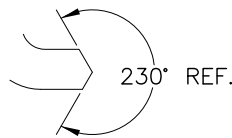
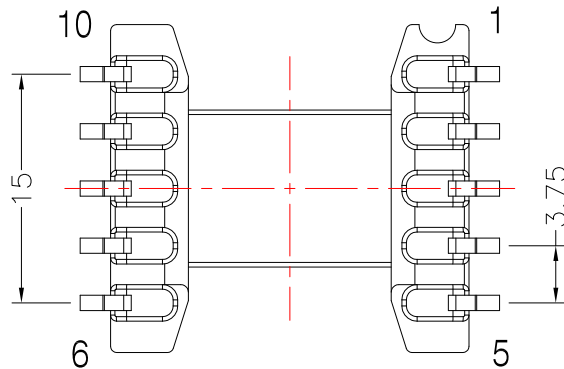
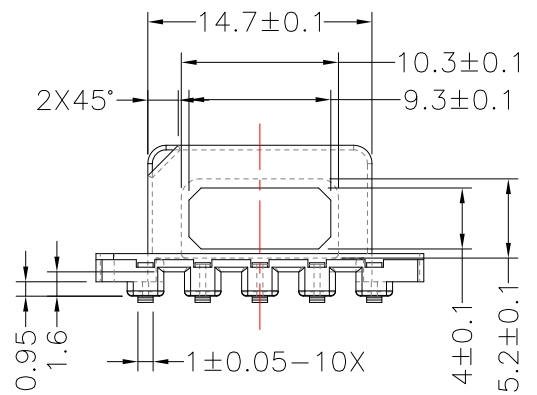
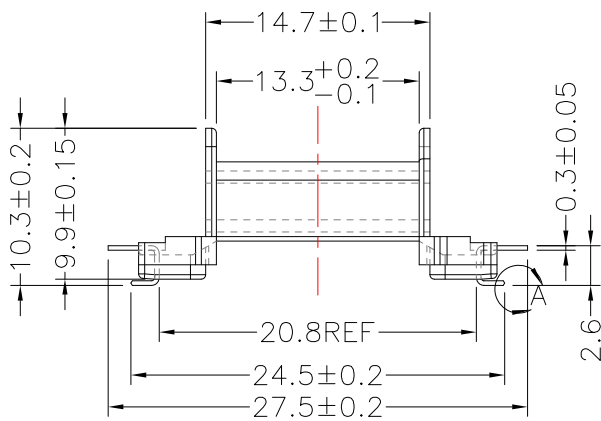
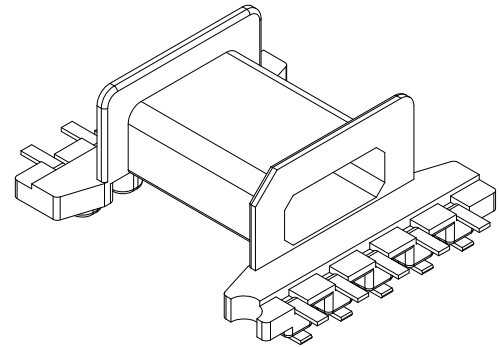
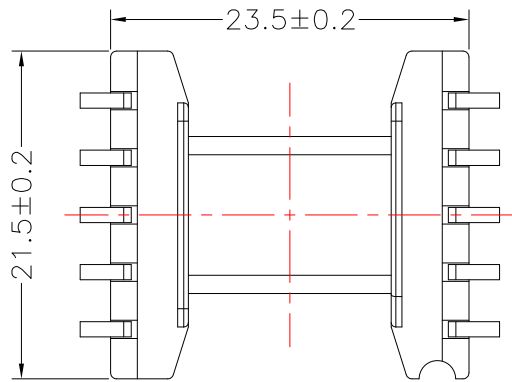


TRANSFORMER BOBBIN  
INDUSTRIAL CO.,LTD.

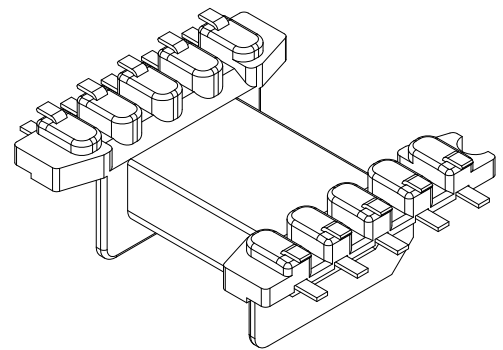
Tel : 86-769-88789999 Fax : 86-769-88789989  
http:// tbi-tw.com e-mail : tb6688@ms46.hinet.net

REVISIONS

REV	SYM	DRAFTER	CHECKER	DATE
△2		G.F.YANG	W.H.HSU	11/14/07
△3		YAN.TANG	G.F.YANG	12/15/07
△4		YAN.TANG	G.F.YANG	11/10/10



DETAIL:A  
PATENTED



DWG NO. EFD20-10P-J-3.75-A1-1

PART NO.	MATERIAL (BOBBIN)	MATERIAL (TERMINAL)	TERMINAL (PLATING)	PIN ALLOCATION	NOTE
TBI-107-01101.106	PM-9630	CP WIRE △4	Sn	ALL PIN	
TBI-107-01101.116	PM-9630	CP WIRE △4	Sn	CUT PIN# 3,7,8	
TBI-107-01101.126	PM-9630	CP WIRE △4	Sn	CUT PIN# 3,8	

TBI-107-01101.106

PM-9630

CP WIRE △4

Sn

ALL PIN

TBI-107-01101.116

PM-9630

CP WIRE △4

Sn

CUT PIN# 3,7,8

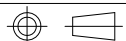
TBI-107-01101.126

PM-9630

CP WIRE △4

Sn

CUT PIN# 3,8



TOLERANCE: .X±0.15 .XX±0.10 .XXX±0.05

UNIT : m / m

SCALE 2 : 1

Finish: 1. Pb wire Immersion Sn on terminal : Thickness:Sn plating,100,5 μm (200 μ inches) min,Base nickel 0.625 μm (25 μ inches) min.  
2. CP wire Immersion Sn on terminal : Thickness:Sn plating,100,5 μm (200 μ inches) min.  
3. Coplanarity deviation: 0.10 mm (0.004 inches) max.

REV 4