

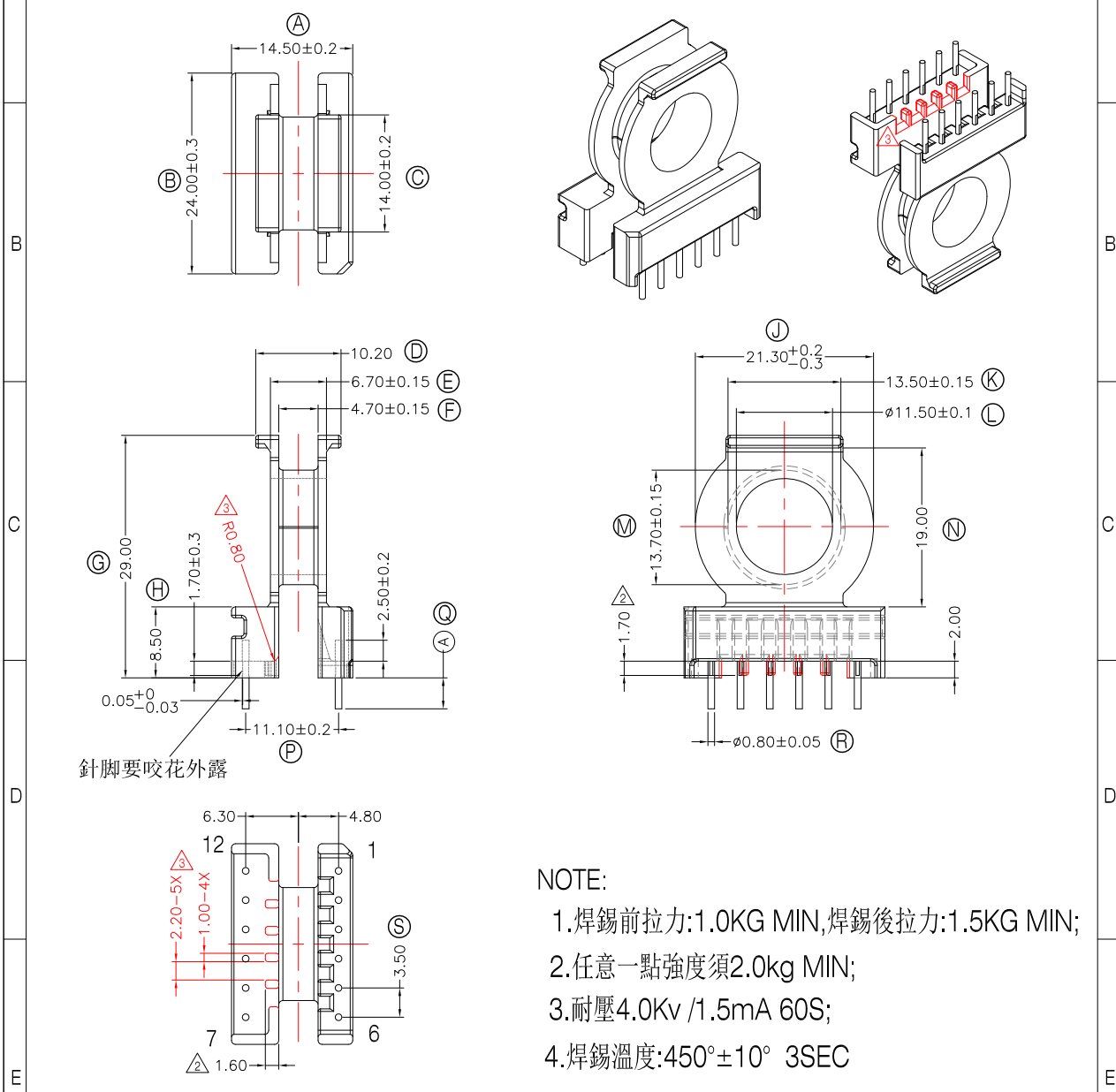


TRANSFORMER BOBBIN INDUSTRIAL CO.,LTD.

Tel : 86-769-88789999 Fax : 86-769-88789989
 http:// tbi-tw.com e-mail : tb6688@ms46.hinet.net

REVISIONS

REV	SYM	DRAFTER	CHECKER	DATE
△		H.X.DUAN	G.F.YANG	01/17/13
△		X.H.GU	G.F.YANG	04/11/14
△		X.H.GU	G.F.YANG	03/20/18



NOTE:

1. 焊錫前拉力:1.0KG MIN,焊錫後拉力:1.5KG MIN;
2. 任意一點強度須2.0kg MIN;
3. 耐壓4.0Kv /1.5mA 60S;
4. 焊錫溫度:450°±10° 3SEC

DWG NO.	EQ25-13-12P-TH-A7-11				
PART NO.	MATERIAL (BOBBIN)	MATERIAL (TERMINAL)	TERMINAL (PLATING)	PIN ALLOCATION	NOTE
TBI-235-01171.1106	PM-9630	CP WIRE	Sn	ALL PIN (A)=3.7±0.2	S
TBI-235-01171.1116	PM-9630	CP WIRE	Sn	NO PIN#3,11,12(A)=3.7±0.2	H
TBI-235-01171.1126	PM-9630	CP WIRE	Sn	NO PIN#3,4,11,12(A)=3.3±0.2	
TBI-235-01171.1136	PM-9630	CP WIRE	Sn	NO PIN#1,4,11,12(A)=5.0±0.2	
TBI-235-01171.1146	PM-9630	CP WIRE	Sn	NO PIN#3,4,11,12(A)=3.0±0.2	
TBI-235-01171.1156	PM-9630	CP WIRE	Sn	NO PIN#3,4,11,12(A)=5.0±0.2	
TBI-235-01171.1166	PM-9630	CP WIRE	Sn	NO PIN#3,4,7,8(A)=3.0±0.2	
TBI-235-01171.1176	PM-9630	CP WIRE	Sn	NO PIN#3,4,11,12(A)=3.0±0.2	PIN根部咬花外漏 規格:寬度1.7±0.3,深度0.05Max
TBI-235-01171.1186	PM-9630	CP WIRE	Sn	NO PIN#3,4,10(A)=3.0±0.2	PIN根部咬花外漏 規格:寬度1.7±0.3,深度0.05Max
TBI-235-01171.1196	PM-9630	CP WIRE	Sn	NO PIN#5,6,7,11,12(A)=3.0±0.2	PIN根部咬花外漏 規格:寬度1.7±0.3,深度0.05Max
TBI-235-01171.11A6	PM-9630	CP WIRE	Sn	NO PIN#5,6,10,11,12(A)=3.0±0.2	PIN根部咬花外漏 規格:寬度1.7±0.3,深度0.05Max
TBI-235-01171.11B6	PM-9630	CP WIRE	Sn	ALL PIN(A)=3.0±0.2	PIN根部咬花外漏 規格:寬度1.7±0.3,深度0.05Max
TBI-235-01171.11C6	PM-9630	CP WIRE	Sn	NO PIN#6,11,12(A)=3.0±0.2	PIN根部咬花外漏 規格:寬度1.7±0.3,深度0.05Max
TBI-235-01171.11D6	PM-9630	CP WIRE	Sn	NO PIN#7,8(A)=3.0±0.2	PIN根部咬花外漏 規格:寬度1.7±0.3,深度0.05Max
TBI-235-01171.11E6	PM-9630	CP WIRE	Sn	NO PIN#5,7,8(A)=3.0±0.2	PIN根部咬花外漏 規格:寬度1.7±0.3,深度0.05Max
TBI-235-01171.11F6	PM-9630	CP WIRE	Sn	NO PIN#4,8,9,11(A)=3.4±0.2	PIN根部咬花外漏 規格:寬度1.7±0.3,深度0.05Max
TOLERANCE: 0<L≤4: ±0.1 4<L≤16: ±0.2 16<L≤63: ±0.3		UNIT : m / m		SCALE 1 : 1	
Finish: 1. PB wire Immersion Sn on terminal : Thickness:Sn plating,100.5 μm (200 μ inches) min,Base nickel 0.625 μm (25 μ inches) min. 2. CP wire Immersion Sn on terminal : Thickness:Sn plating,100.5 μm (200 μ inches) min. 3. Coplanarity deviation: 0.10 mm (0.004 inches) max.					REV 3