

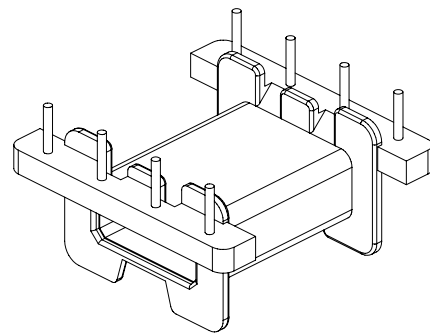
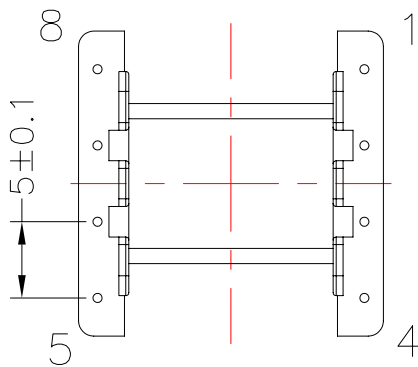
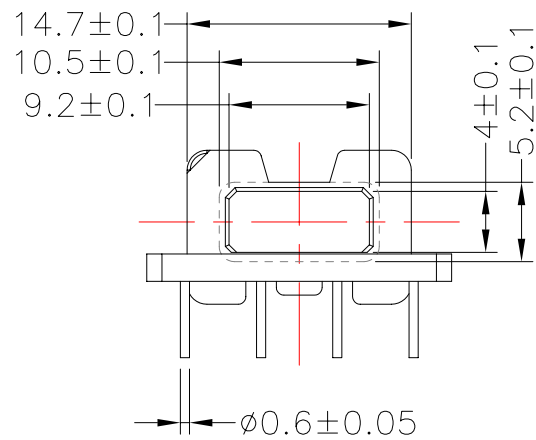
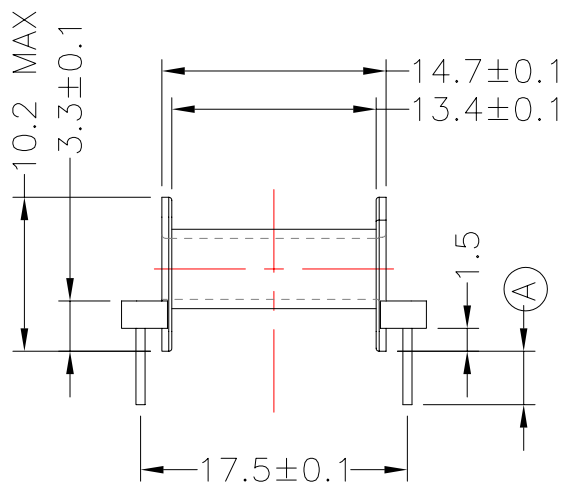
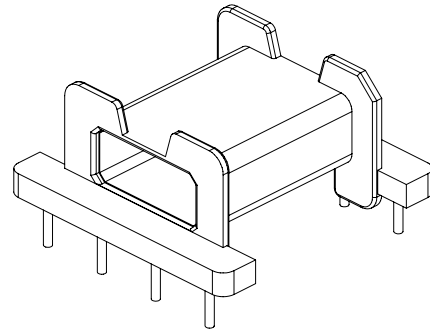
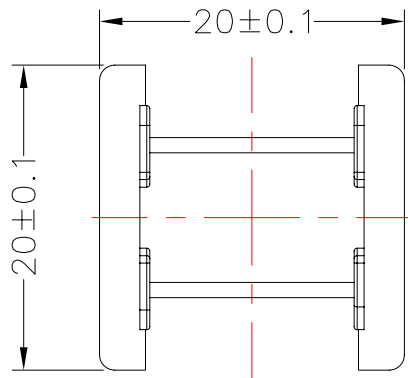


**TRANSFORMER BOBBIN  
INDUSTRIAL CO.,LTD.**

Tel : 86-769-88789999 Fax : 86-769-88789989  
http:// tbi-tw.com e-mail : tb6688@ms46.hinet.net

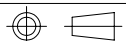
REVISIONS

REV	SYM	DRAFTER	CHECKER	DATE
3		T.S.LII	W.H.HSU	06/02/03
4		T.S.LII	W.H.HSU	12/17/04
5		T.S.LII	W.H.HSU	07/24/06



DWG NO. EFD20-8P-TH-5.0-A-1

PART NO.	MATERIAL (BOBBIN)	MATERIAL (TERMINAL)	TERMINAL (PLATING)	PIN ALLOCATION	NOTE
TBI-207-01011.106	PM-9630	CP WIRE	Sn	ALL PIN (A)=3.5±0.3	H
TBI-207-01011.116	PM-9630	CP WIRE	Sn	CUT PIN # 1,8(A)=3.5±0.3	
TBI-207-01011.126	PM-9630	CP WIRE	Sn	CUT PIN # 2,3,6,7(A)=3.1±0.2	暫無刀模
TBI-207-01011.136	PM-9630	CP WIRE	Sn	ALL PIN (A)=3.2±0.2	



TOLERANCE: .X±0.15 .XX±0.10 .XXX±0.05

UNIT : m / m

SCALE 2 : 1

Finish: 1. PB wire Immersion Sn on terminal : Thickness:Sn plating,100,5 μm (200 μ inches) min,Base nickel 0.625 μm (25 μ inches) min.  
2. CP wire Immersion Sn on terminal : Thickness:Sn plating,100,5 μm (200 μ inches) min.  
3. Coplanarity deviation: 0.10 mm (0.004 inches) max.

REV 5



**A-CORE**

A-CORE JIANGMEN ELECTRONICS CO.,LTD  
 江門安磁電子有限公司

**TBI**

TRANSFORMER BOBBIN  
 INDUSTRIAL CO.,LTD.

ELECTRICAL CO. Tel : 86-750-3867791 Fax : 86-750-3867787

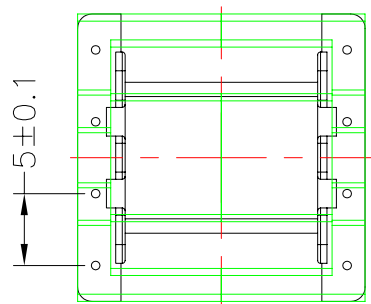
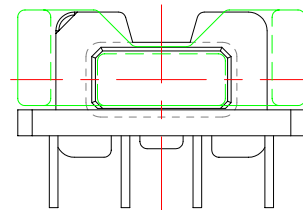
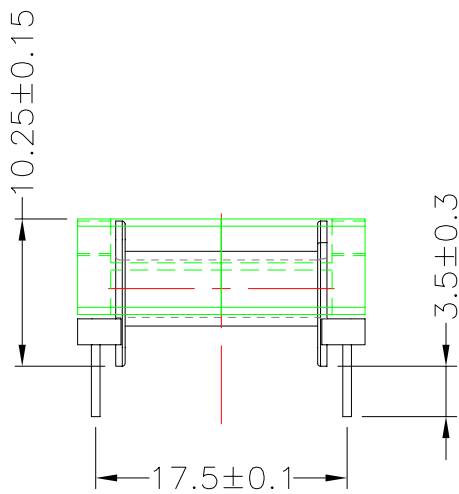
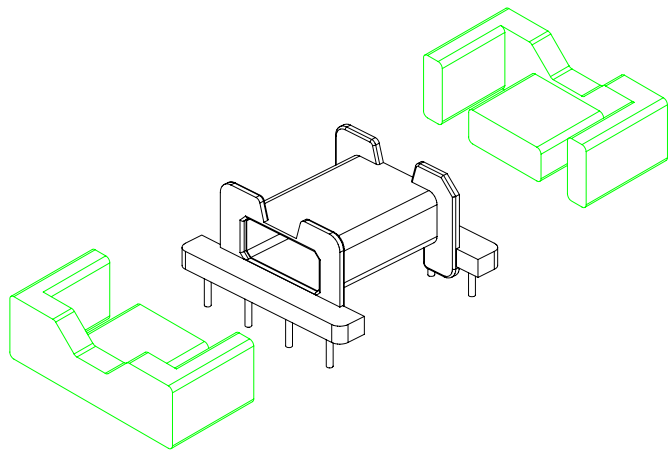
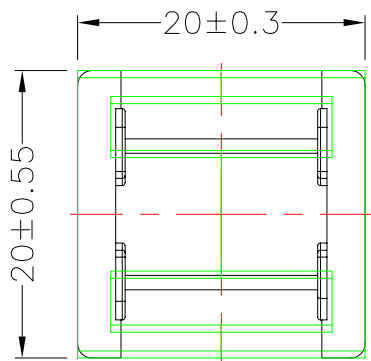
Tel : 86-769-88789999 Fax : 86-769-88789989

e-mail : sales@acore-ferrite.com

http:// tbi-tw.com e-mail : tb6688@ms46.hinet.net

REVISIONS

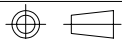
REV	SYM	DRAFTER	CHECKER	DATE
△3		T.S.LII	W.H.HSU	06/02/03
△4		T.S.LII	W.H.HSU	12/17/04
△5		YAN.TANG	G.F.YANG	11/06/09



Cross section area

Ae=31.0mm<sup>2</sup>  
 Le =47.0mm  
 C1 =1.52mm<sup>-1</sup>

ITEM	PART NO.	MATERIAL	DWG NO.	NOTE
CORE	EFD20/20	JPP-44A		
CORE	EFD20/20	JPP-95		
BOBBIN	TBI-207-01011.1XX		EFD20-8P-TH-5.0-A-1	



UNIT : m/m

SCALE 2 : 1

REV 5