

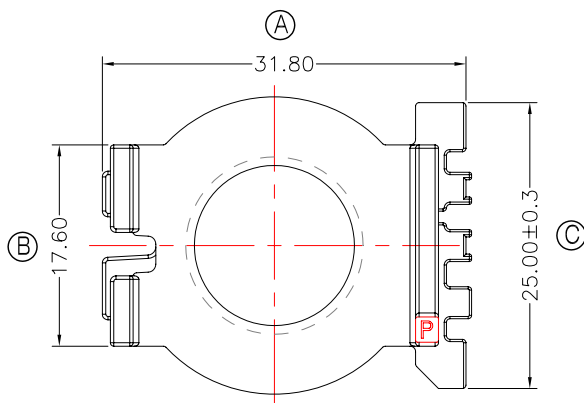


TRANSFORMER BOBBIN
INDUSTRIAL CO.,LTD.

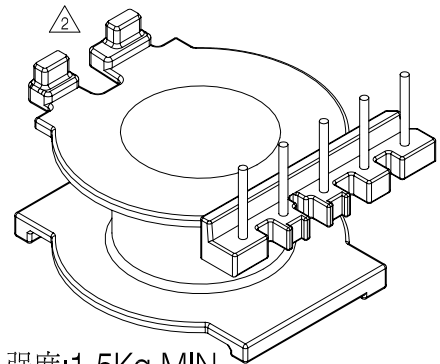
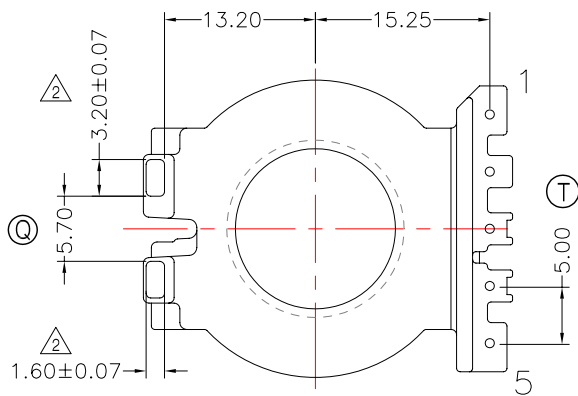
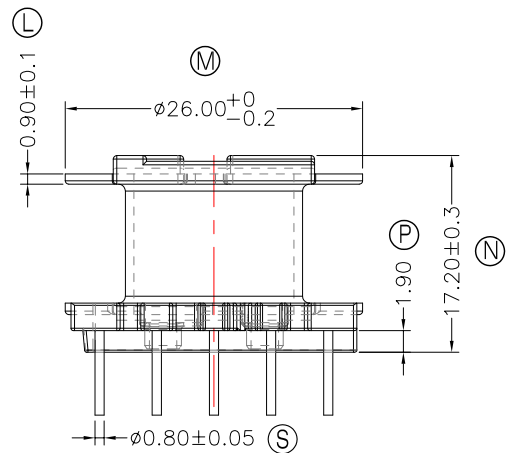
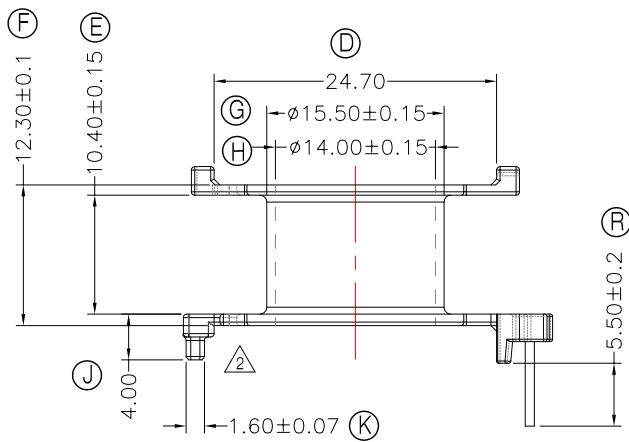
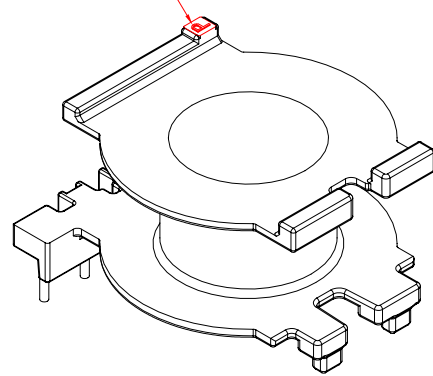
Tel : 86-769-88789999 Fax : 86-769-88789989
http:// tbi-tw.com e-mail : tb6688@ms46.hinet.net

REVISIONS

REV	SYM	DRAFTER	CHECKER	DATE
①		X.H.GU	G.F.YANG	04/10/13
②		H.X.DUAN	G.F.YANG	11/20/13
③		X.H.GU	G.F.YANG	12/03/16



③ 文字凸出0.05~0.15mm

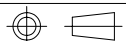


注: 1.强度:1.5Kg MIN。
2.PIN拉力須焊前1.0Kg MIN焊后1.5Kg MIN.

與TBI-239-04501.12XX(CC3319-1P-CASE-E0-12)配套使用;

DWG NO. CC3319-5P-TH-5.0-D9-12

PART NO.	MATERIAL (BOBBIN)	MATERIAL (TERMINAL)	TERMINAL (PLATING)	PIN ALLOCATION	NOTE
TBI-239-04491.1206	PM-9820	CP WIRE	Sn	ALL PIN	S



TOLERANCE: 0<L<=4:±0.1 4<L<=16:±0.2 16<L:±0.3 PIN PITCH:±0.2

UNIT : m / m

SCALE 1 : 1

Finish: 1. PB wire Immersion Sn on terminal : Thickness:Sn plating,100,5 μm (200 μ inches) min,Base nickel 0.625 μm (25 μ inches) min.
2. CP wire Immersion Sn on terminal : Thickness:Sn plating,100,5 μm (200 μ inches) min.
3. Coplanarity deviation: 0.10 mm (0.004 inches) max.

REV 3

A-CORE

A-CORE JIANGMEN ELECTRONICS CO.,LTD
江門安磁電子有限公司

TBI

TRANSFORMER BOBBIN
INDUSTRIAL CO.,LTD.

ELECTRICAL CO. Tel : 86-750-3867791 Fax : 86-750-3867787

Tel : 86-769-88789999 Fax : 86-769-88789989

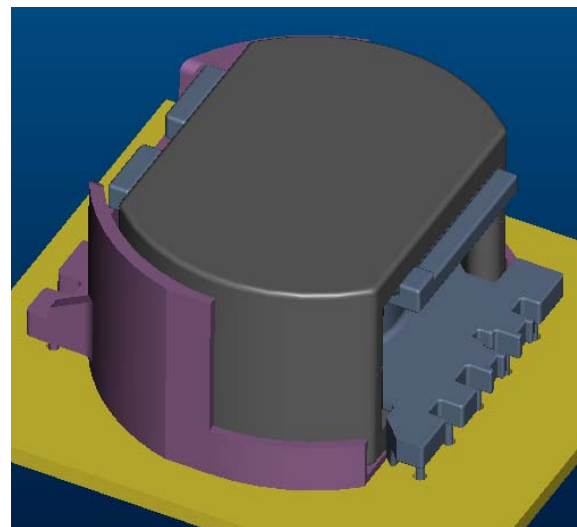
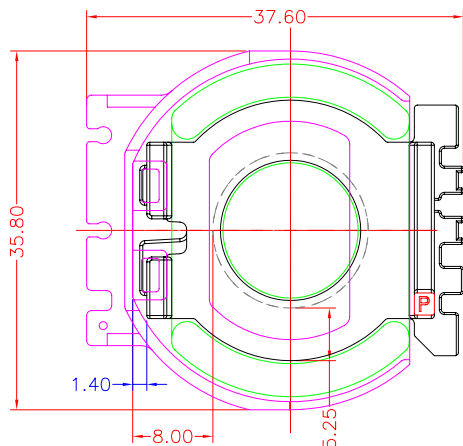
e-mail : sales@acore-ferrite.com

http:// tbi-tw.com e-mail : tb6688@ms46.hinet.net

REVISIONS

REV	SYM	DRAFTER	CHECKER	DATE
1		X.H.GU	G.F.YANG	04/10/13
2		H.X.DUAN	G.F.YANG	11/20/13
3		X.H.GU	G.F.YANG	12/03/16

TOP



A

B

C

D

E

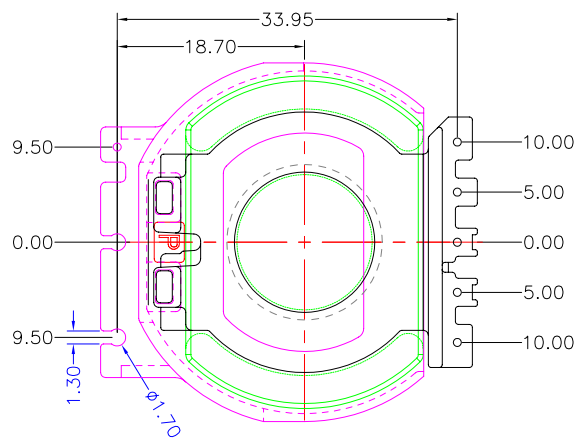
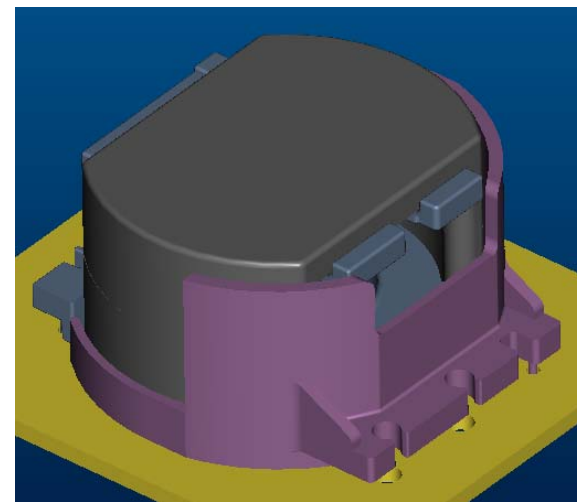
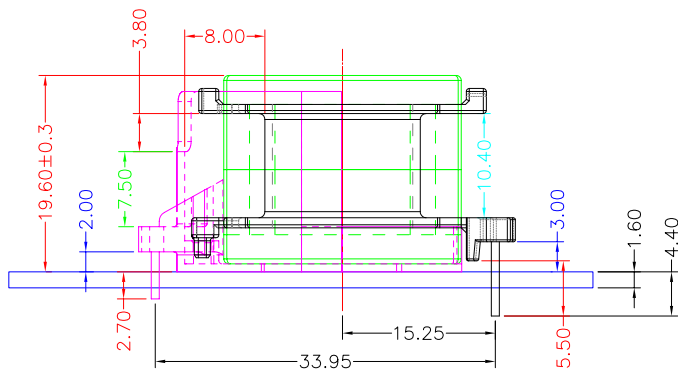
A

B

C

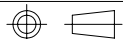
D

E



BOTTOM

ITEM	PART NO.	MATERIAL	DWG NO.	Core Set Parameters
CORE	CC33/19	JPP-44A		$A_e=147.4\text{mm}^2$ $L_e=51.4\text{mm}$ $C_1=0.349\text{mm}^{-1}$ $V_e=7576.36\text{mm}^3$
CORE	CC33/19	JPP-95		
BOBBIN	TBI-239-04491.12XX		CC3319-5P-TH-5.0-D9-12	
CASE	TBI-239-04501.12XX		CC3319-1P-CASE-E0-12	



UNIT : m/m

SCALE 1 : 1

REV 3

F

F