

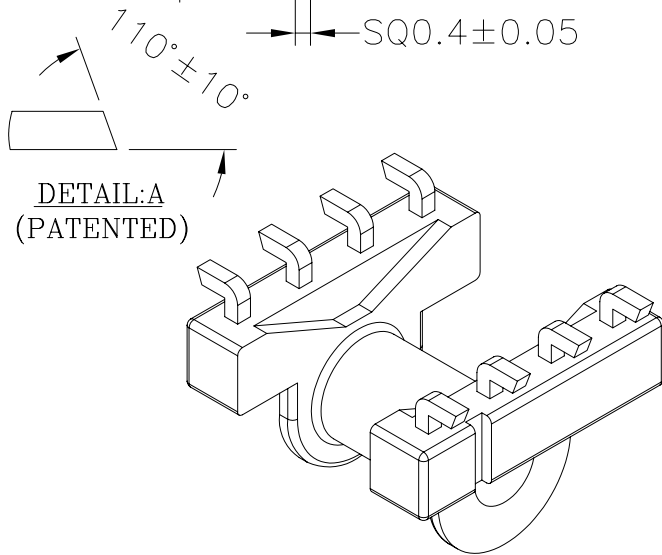
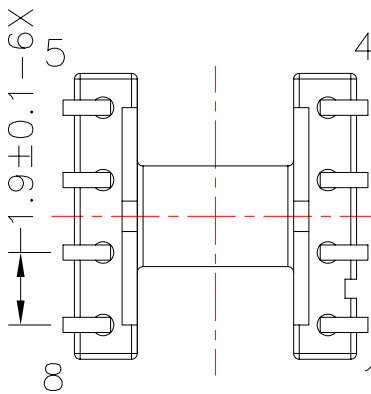
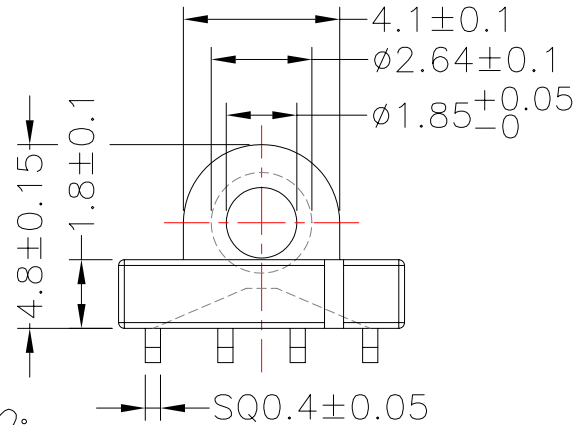
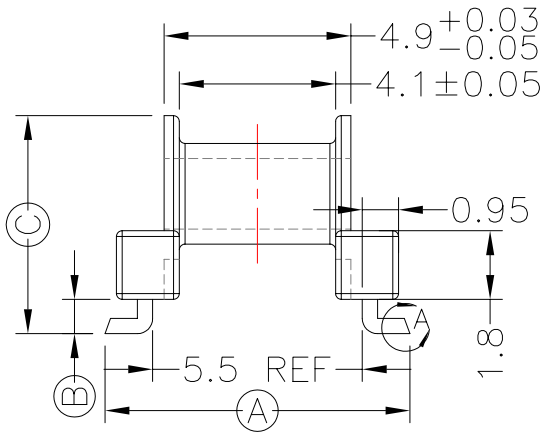
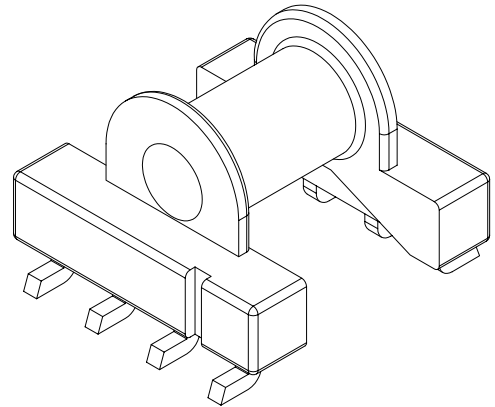
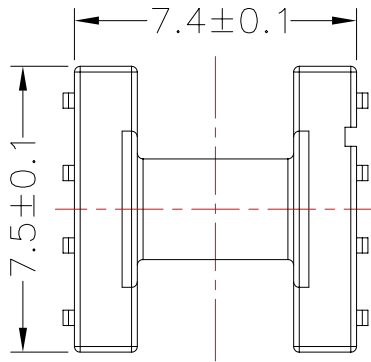


TRANSFORMER BOBBIN
INDUSTRIAL CO.,LTD.

Tel : 86-769-88789999 Fax : 86-769-88789989
http:// tbi-tw.com e-mail : tb6688@ms46.hinet.net

REVISIONS

REV	SYM	DRAFTER	CHECKER	DATE
△4		T.S.LII	W.H.HSU	07/24/06
△5		T.S.LII	W.H.HSU	04/02/07
△6		YAN.TANG	G.F.YANG	11/21/07



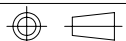
DWG NO. EP5L-8P-L-1.9-D-1

PART NO.	MATERIAL (BOBBIN)	MATERIAL (TERMINAL)	TERMINAL (PLATING)	PIN ALLOCATION	NOTE
----------	-------------------	---------------------	--------------------	----------------	------

TBI-103-01041.103	PM-9630	P.B	Sn	ALL PIN ①=8±0.15 ②=0.9±0.15 ③=5.7±0.2	
-------------------	---------	-----	----	---------------------------------------	--

△6 TBI-103-01041.113	PM-9630	P.B	Sn	ALL PIN ①=7.6±0.15 ②=0.9±0.15 ③=5.7±0.2	
----------------------	---------	-----	----	---	--

△6 TBI-103-01041.123	PM-9630	P.B	Sn	ALL PIN ①=8±0.15 ②=1.14±0.15 ③=5.94±0.2	
----------------------	---------	-----	----	---	--



TOLERANCE: .X±0.15 .XX±0.10 .XXX±0.05

UNIT : m / m

SCALE 4 : 1

Finish: 1. Pb wire Immersion Sn on terminal : Thickness:Sn plating,100,5 μm (200 μ inches) min,Base nickel 0.625 μm (25 μ inches) min.
2. CP wire Immersion Sn on terminal : Thickness:Sn plating,100,5 μm (200 μ inches) min.
3. Coplanarity deviation: 0.10 mm (0.004 inches) max.

REV 6