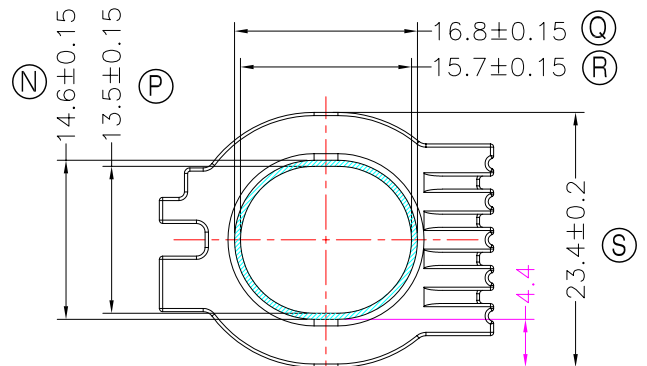
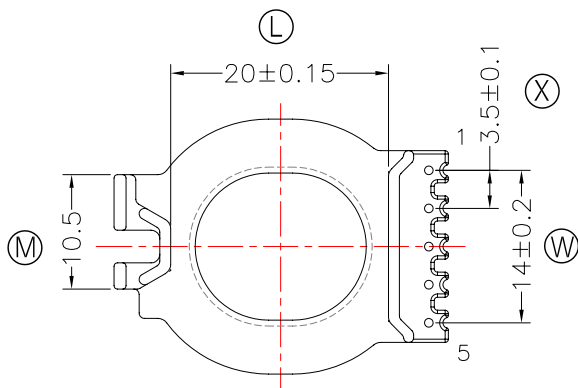
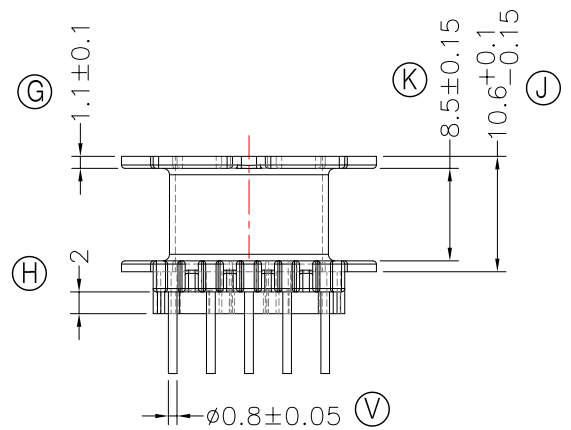
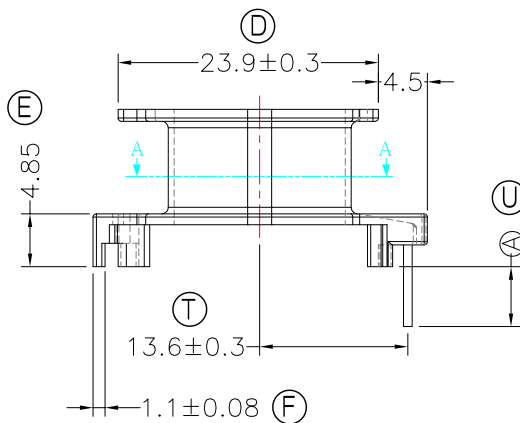
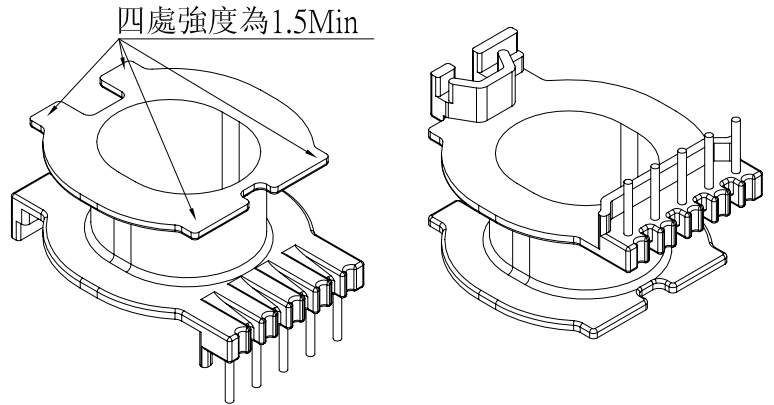
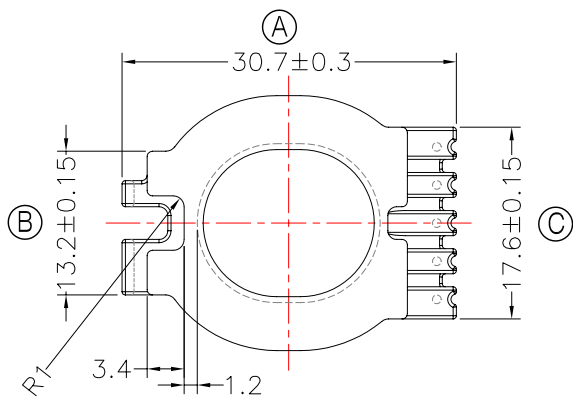




TRANSFORMER BOBBIN
INDUSTRIAL CO.,LTD.

Tel : 86-769-88789999 Fax : 86-769-88789989
http:// tbi-tw.com e-mail : tb6688@ms46.hinet.net

REVISIONS				
REV	SYM	DRAFTER	CHECKER	DATE
△1		M.WANG	G.F.YANG	07/25/16
△2				
△3				



NOTE:

- 1.WINDING SPACE: 8.5mm*4.4mm=37.4mm²
 - 2.焊前拉力1.0kg Min 焊後拉力1.5kg Min;
 - 3.除特別指出處,任一點強度為1.8kg Min;
- 與TBI-238-07211.17XX(ATQ28-18.3B-1P-CASE-B1-17)配套使用;

DWG NO. ATQ28-18.3B-5P-TH-B0-17

PART NO.	MATERIAL (BOBBIN)	MATERIAL (TERMINAL)	TERMINAL (PLATING)	PIN ALLOCATION	NOTE
TBI-238-07201.1706	PM-9823	CP WIRE	Sn	ALL PIN (A)=5.5±0.3	S
TBI-238-07201.1716	PM-9823	CP WIRE	Sn	ALL PIN (A)=3.4+0.2/-0.3	暫無刀模 H

TOLERANCE: 0<L<=4:±0.1 4<L<=16:±0.2 16<L<=63:±0.3

UNIT : m / m

SCALE 1 : 1

Finish: 1. PB wire Immersion Sn on terminal : Thickness:Sn plating,100,5 μm (200 μ inches) min,Base nickel 0.625 μm (25 μ inches) min.
2. CP wire Immersion Sn on terminal : Thickness:Sn plating,100,5 μm (200 μ inches) min.
3. Coplanarity deviation: 0.10 mm (0.004 inches) max.

REV 1

A-CORE

A-CORE JIANGMEN ELECTRONICS CO.,LTD
江門安磁電子有限公司

TBI

TRANSFORMER BOBBIN
INDUSTRIAL CO.,LTD.

ELECTRICAL CO. Tel : 86-750-3867791 Fax : 86-750-3867787

Tel : 86-769-88789999 Fax : 86-769-88789989

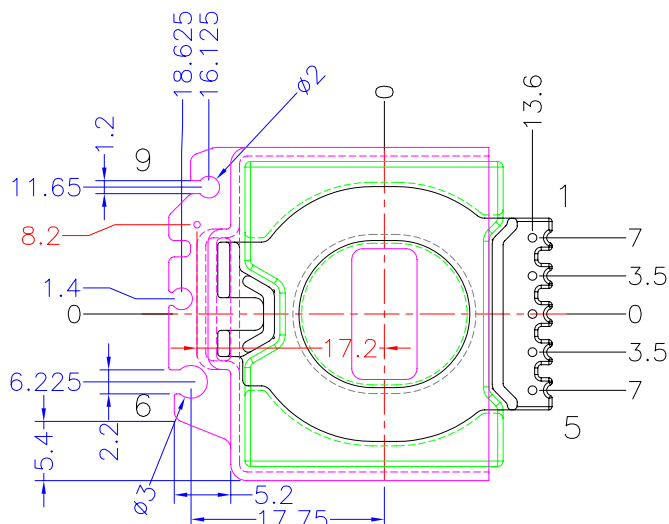
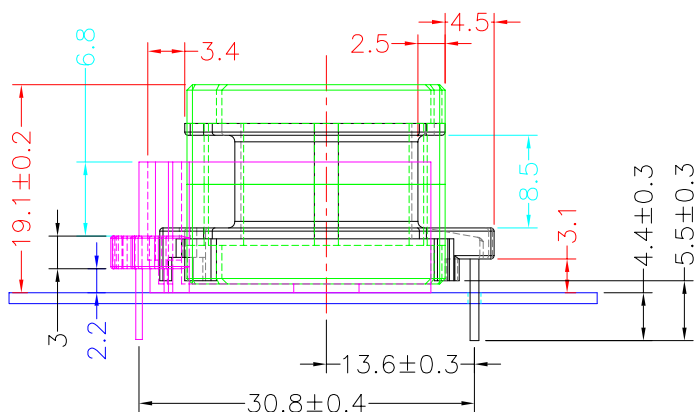
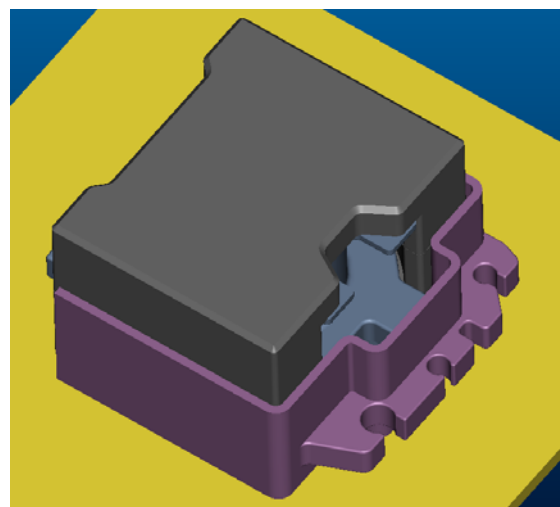
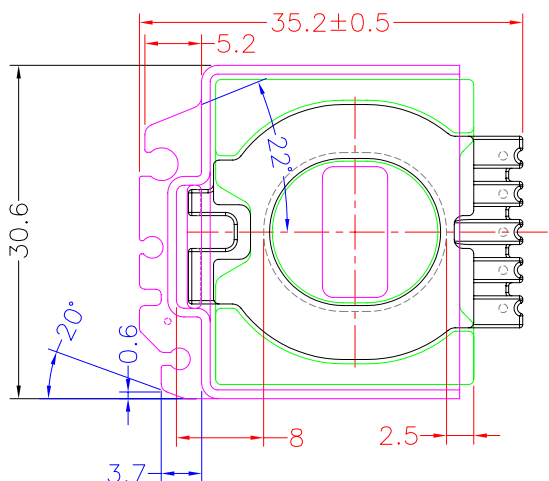
e-mail : sales@acore-ferrite.com

http:// tbi-tw.com e-mail : tb6688@ms46.hinet.net

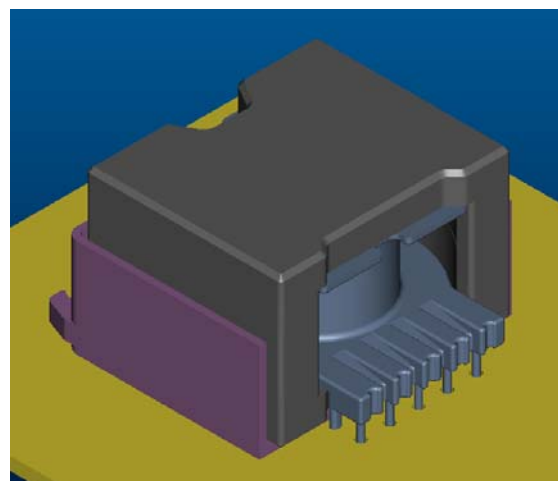
REVISIONS

REV	SYM	DRAFTER	CHECKER	DATE
1		M.WANG	G.F.YANG	07/25/16
2				
3				

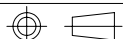
TOP



BOTTOM



ITEM	PART NO.	MATERIAL	DWG NO.	Core Set Parameters
CORE	ATQ28/18.3B	JPP-44A		$A_e=156\text{mm}^2$ $L_e=47.8\text{mm}$ $C_1=0.306\text{mm}^{-1}$ $V_e=7456.8\text{mm}^3$
CORE	ATQ28/18.3B	JPP-95		
BOBBIN	TBI-238-07201.17XX		ATQ28-18.3B-5P-TH-B0-17	
CASE	TBI-238-07211.17XX		ATQ28-18.3B-1P-CASE-B1-17	



UNIT : m/m

SCALE 1 : 1

REV 1