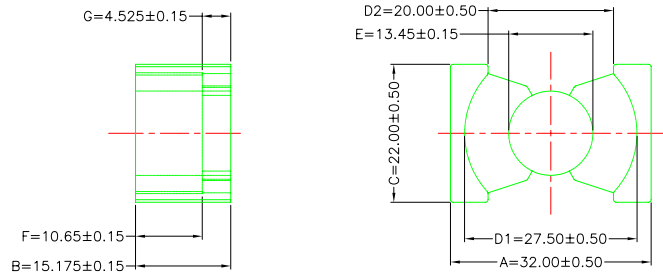
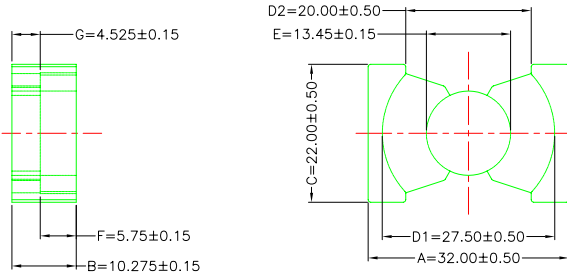
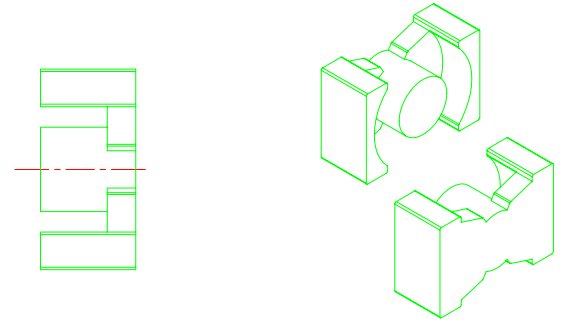
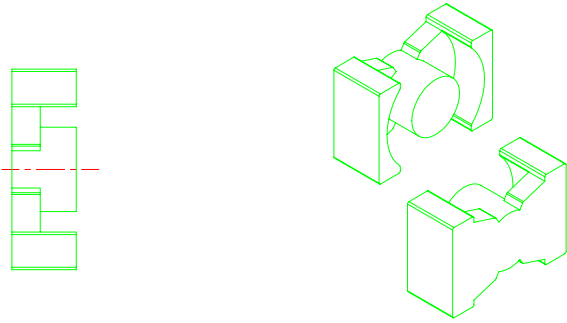




REVISIONS				
REV	SYM	DRAFTER	CHECKER	DATE
①		YAN.TANG	G.F.YANG	04/24/10
②				
③				

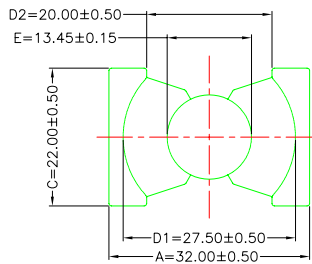
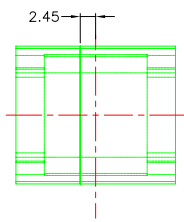
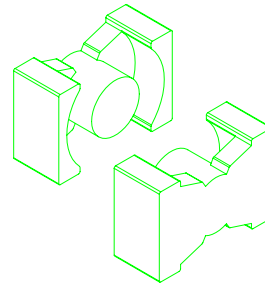
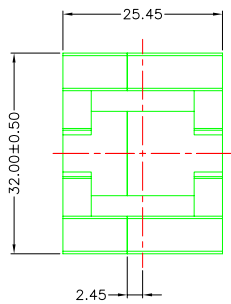


**PQ3220 CORE**

Core Set Parameters  
Ae=170mm<sup>2</sup>  
Le=55.5mm  
Cl=0.33mm<sup>-1</sup>  
Ve=9435mm<sup>3</sup>

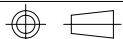
**PQ3230 CORE**

Core Set Parameters  
Ae=161mm<sup>2</sup>  
Le=74.6mm  
Cl=0.46mm<sup>-1</sup>  
Ve=12010.6mm<sup>3</sup>



**PQ3220 CORE & PQ3230 CORE - ASM**

DWG NO.	PQ3220 CORE & PQ3230 CORE				
PART NO.	MATERIAL (CORE)	MATERIAL (TERMINAL)	TERMINAL (PLATING)	PIN ALLOCATION	NOTE
PQ3220	JPP-44A				
PQ3220	JPP-95				
PQ3230	JPP-44A				
PQ3230	JPP-95				
				UNIT : m / m	SCALE 1 : 1
					REV 1



**A-CORE**

A-CORE JIANGMEN ELECTRONICS CO.,LTD  
江門安磁電子有限公司

ELECTRICAL CO. Tel : 86-750-3867791 Fax : 86-750-3867787

e-mail : sales@acore-ferrite.com

**TBI**

TRANSFORMER BOBBIN  
INDUSTRIAL CO.,LTD.

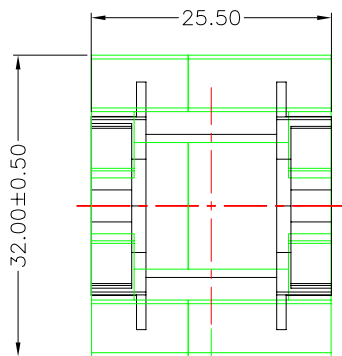
Tel : 86-769-88789999 Fax : 86-769-88789989

http:// tbi-tw.com e-mail : tb6688@ms46.hinet.net

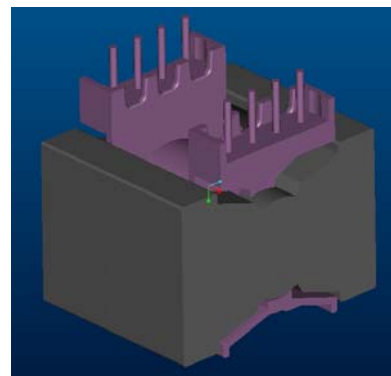
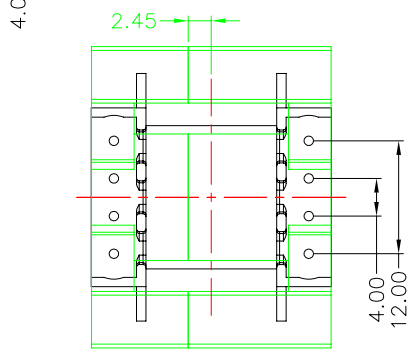
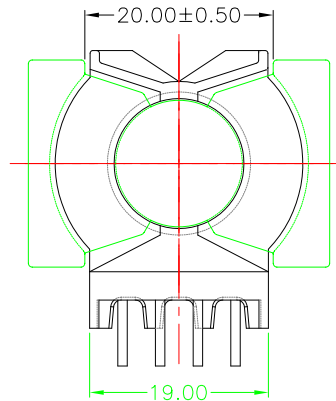
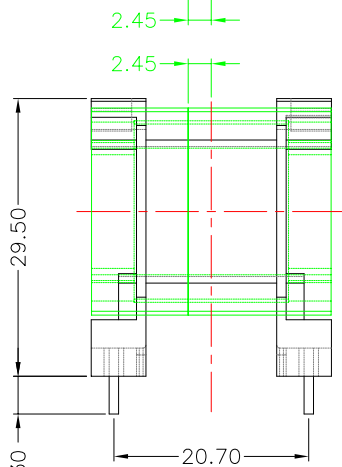
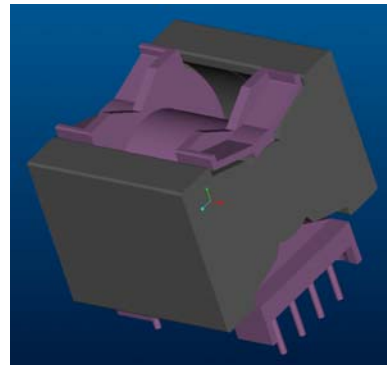
REVISIONS

REV	SYM	DRAFTER	CHECKER	DATE
1		YAN.TANG	G.F.YANG	04/24/10
2		YAN.TANG	G.F.YANG	07/17/10
3				

TOP



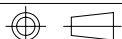
TOP



BOTTOM

BOTTOM

ITEM	PART NO.	MATERIAL	DWG NO.	Core Set Parameters
CORE	PQ3220	JPP-44A		PQ3220 CORE Ae=170mm <sup>2</sup> Le=55.5mm C1=0.33mm <sup>-1</sup> Ve=9435mm <sup>3</sup>
CORE	PQ3220	JPP-95		
CORE	PQ3230	JPP-44A		
CORE	PQ3230	JPP-95		PQ3230 CORE Ae=161mm <sup>2</sup> Le=74.6mm C1=0.46mm <sup>-1</sup> Ve=12010.6mm <sup>3</sup>
BOBBIN	TBI-216-07051.11XX		PQ3225-8P-TH-4.0-E-11	



UNIT : m / m

SCALE 1 : 1

REV 2