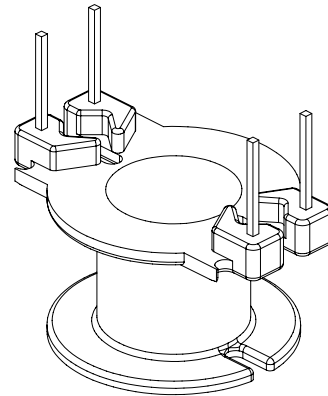
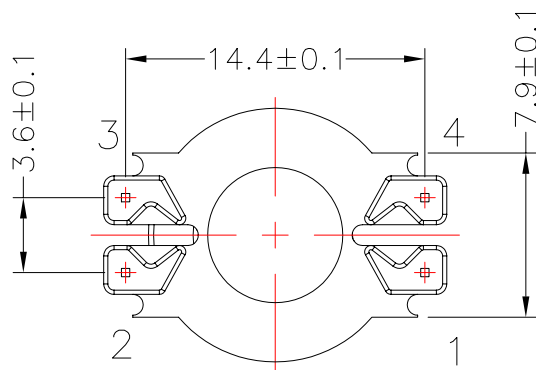
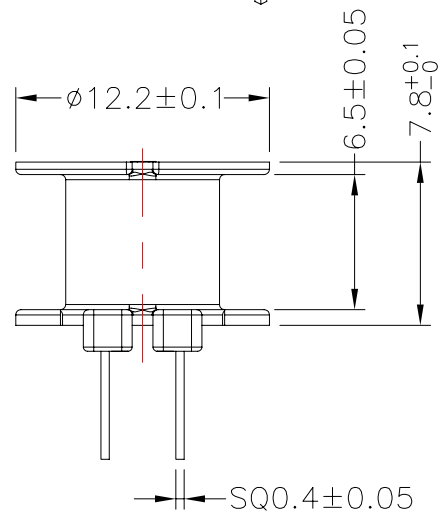
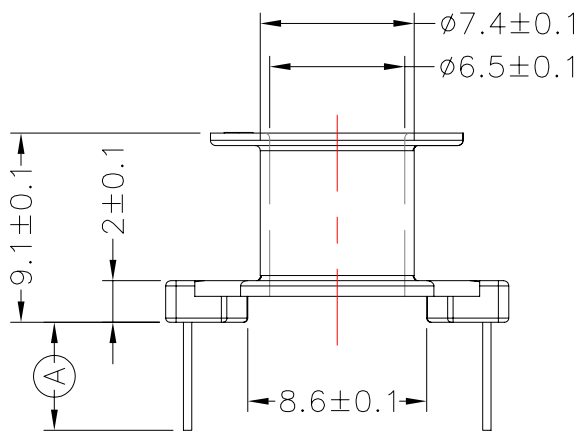
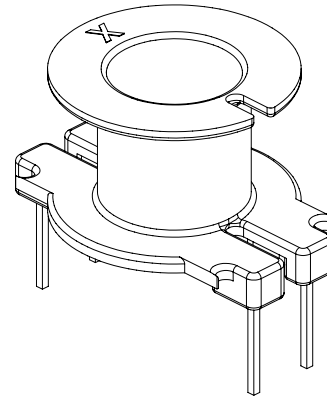
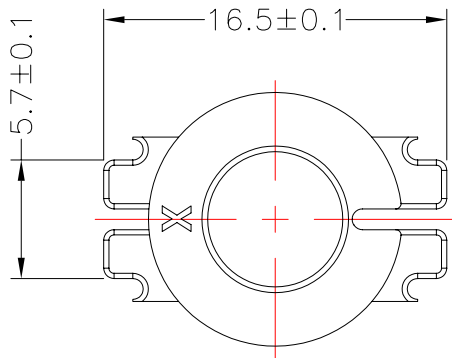




**TRANSFORMER BOBBIN
INDUSTRIAL CO.,LTD.**

Tel : 86-769-88789999 Fax : 86-769-88789989
http:// tbi-tw.com e-mail : tb6688@ms46.hinet.net

REVISIONS				
REV	SYM	DRAFTER	CHECKER	DATE
9		T.S.LII	W.H.HSU	08/23/05
10		T.S.LII	W.H.HSU	07/24/06
11		Y.G.HSU	W.H.HSU	02/12/07



DWG NO.	RM6-4P-TH-B-1				
PART NO.	MATERIAL (BOBBIN)	MATERIAL (TERMINAL)	TERMINAL (PLATING)	PIN ALLOCATION	NOTE
TBI-208-02021.106	PM-9630	CP WIRE	Sn	ALL PIN (A) =3.8+0/-0.3	
TBI-208-02021.116	PM-9630	CP WIRE	Sn	CUT PIN #3, (A) =5.7±0.3	已無刀模 H
TBI-208-02021.126	PM-9630	CP WIRE	Sn	ALL PIN (A) =5.0±0.3	
TBI-208-02021.136	PM-9630	CP WIRE	Sn	CUT PIN #3, (A) =5.0±0.3	
TBI-208-02021.146	PM-9630	CP WIRE	Sn	ALL PIN (A) =3.8+0.2/-0.1	52G000036
	TOLERANCE: .X±0.15 .XX±0.10 .XXX±0.05			UNIT : m / m	SCALE 1 : 1

Finish: 1. PB wire Immersion Sn on terminal : Thickness:Sn plating,100,5 μm (200 μ inches) min,Base nickel 0.625 μm (25 μ inches) min.
2. CP wire Immersion Sn on terminal : Thickness:Sn plating,100,5 μm (200 μ inches) min.
3. Coplanarity deviation: 0.10 mm (0.004 inches) max.

REV 11

A-CORE

A-CORE JIANGMEN ELECTRONICS CO.,LTD
江門安磁電子有限公司

TBI

TRANSFORMER BOBBIN
INDUSTRIAL CO.,LTD.

ELECTRICAL CO. Tel : 86-750-3867791 Fax : 86-750-3867787

Tel : 86-769-88789999 Fax : 86-769-88789989

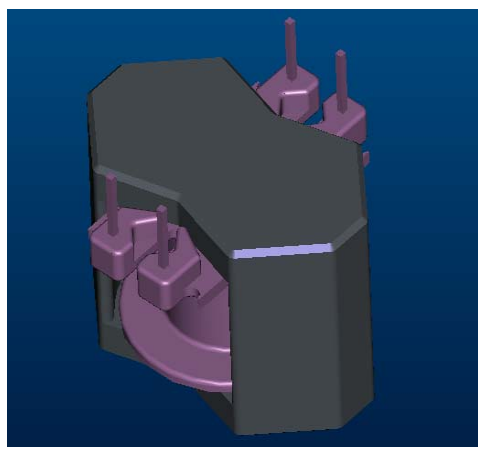
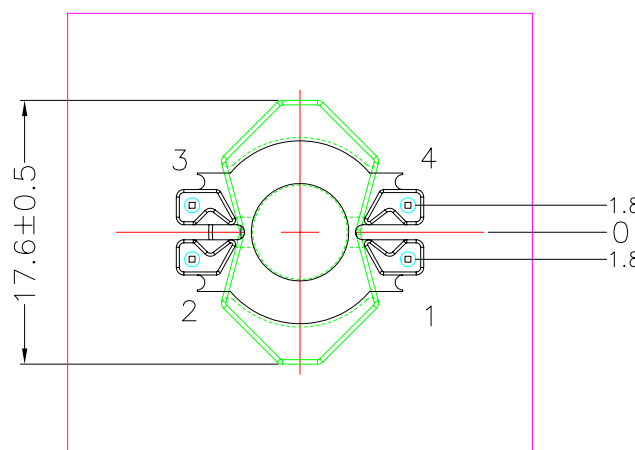
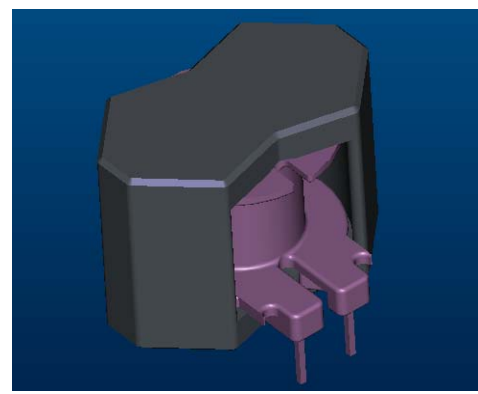
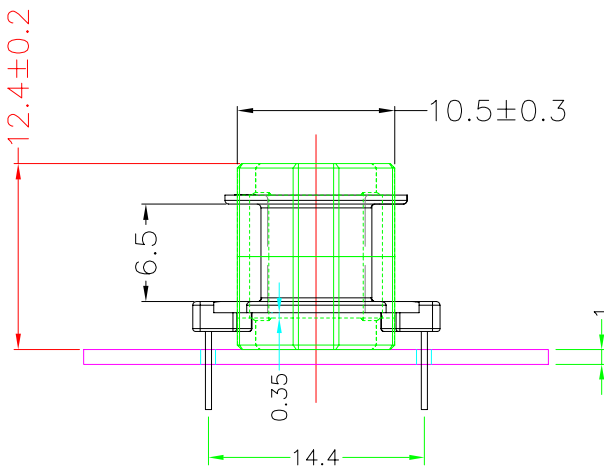
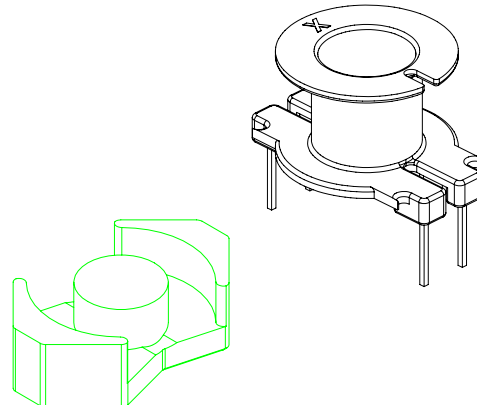
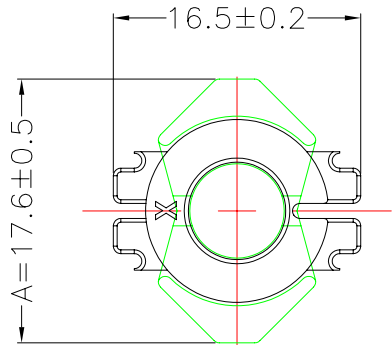
e-mail : sales@acore-ferrite.com

http:// tbi-tw.com e-mail : tb6688@ms46.hinet.net

REVISIONS

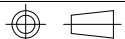
REV	SYM	DRAFTER	CHECKER	DATE
△1		H.X.DUAN	G.F.YANG	03/05/12
△2				
△3				

TOP



BOTTOM

ITEM	PART NO.	MATERIAL	DWG NO.	Core Set Parameters
CORE	RM6/12.4	JPP-44A		$A_e = ?^2$ $L_e = ? \text{mm}$ $C_1 = ? \text{mm}^2$ $V_e = ? \text{mm}^3$
CORE	RM6/12.4	JPP-95		
BOBBIN	TBI-208-02101.12XX		RM6-12.4-4P-TH-A0-12	
CASE	TBI-208-02101.91C		RM6-12.4-CASE-A0-91	



UNIT : m/m

SCALE 1 : 1

REV 1