

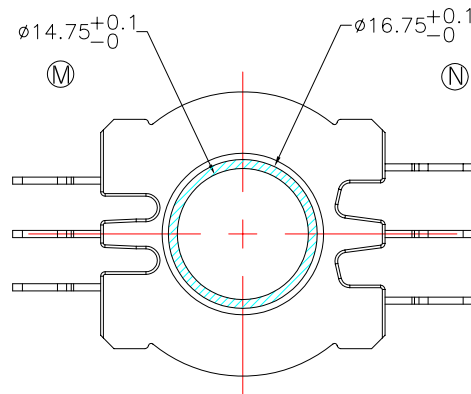
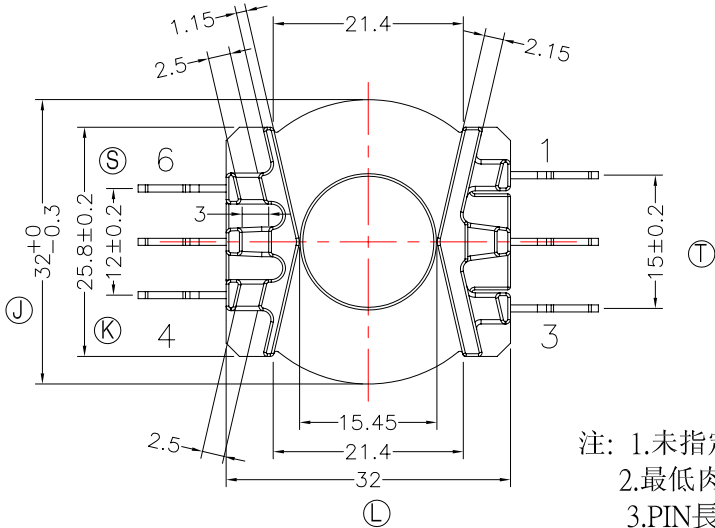
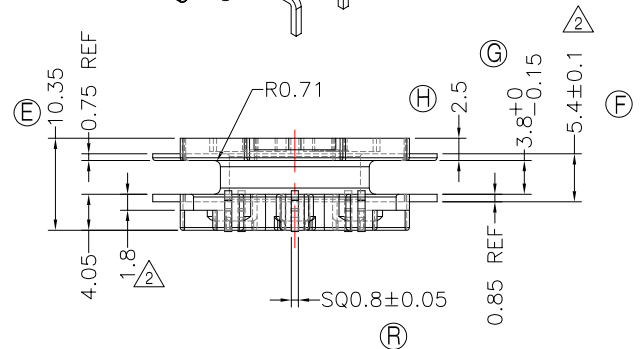
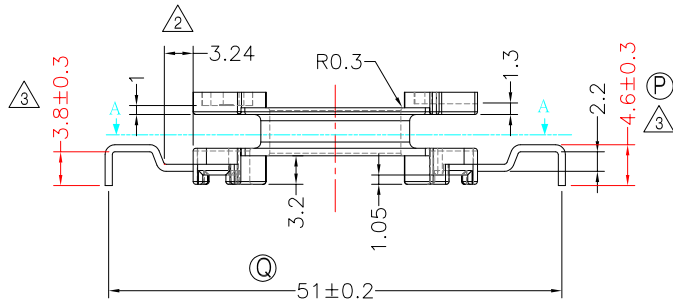
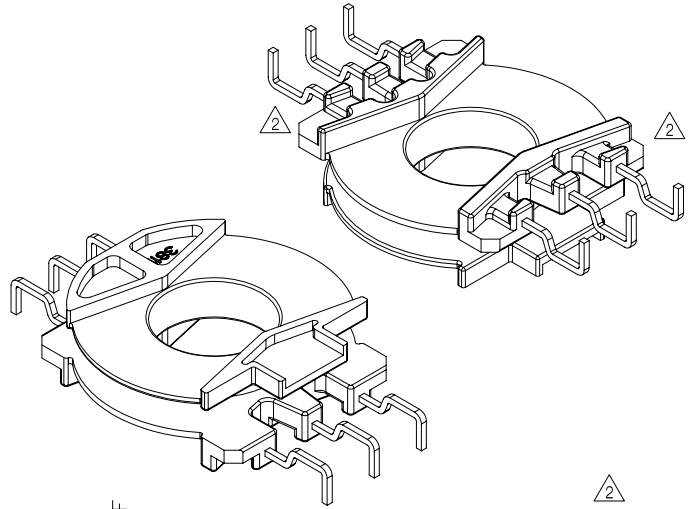
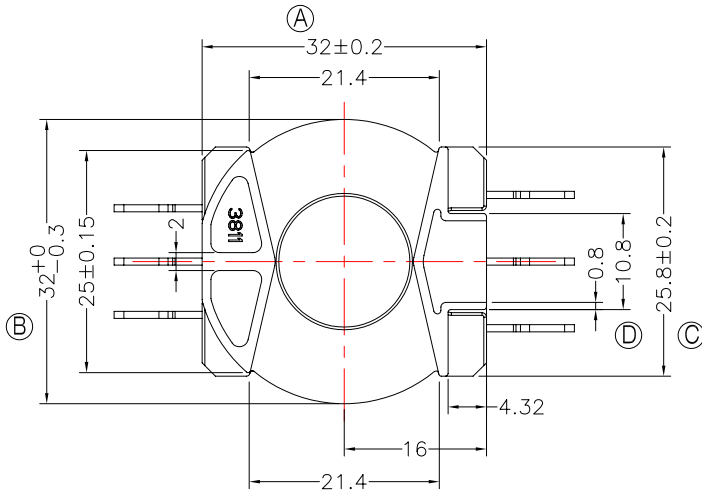


TRANSFORMER BOBBIN  
INDUSTRIAL CO.,LTD.

Tel : 86-769-88789999 Fax : 86-769-88789999  
http:// tbi-tw.com e-mail : tb6688@ms46.hinet.net

REVISIONS

REV	SYM	DRAFTER	CHECKER	DATE
①		X.H.GU	G.F.YANG	06/21/10
②		H.X.DUAN	G.F.YANG	09/10/10
③		YAN.TANG	G.F.YANG	11/05/10



- 注: 1.未指定R角為R0.3  
2.最低肉厚0.68  
3.PIN長請控制在中值偏上限



DWG NO. PQ38B11-6P-THT-0E-12

PART NO. MATERIAL (BOBBIN) MATERIAL (TERMINAL) TERMINAL (PLATING) PIN ALLOCATION NOTE

TBI-216-14051.1206 PM-9820 CP WIRE Sn ALL PIN S

H

TOLERANCE

(UNLESS OTHERWISE SPECIFIED)

0<L<1.3 ±0.05 5≤L<20 ±0.1 45≤L<70 ±0.2 100≤L<∞ ±0.5  
1.3≤L<5 ±0.07 20≤L<45 ±0.15 70≤L<100 ±0.3 PIN DIM ±0.05

UNIT : m / m

SCALE 1 : 1

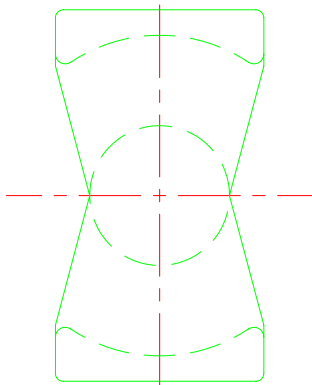
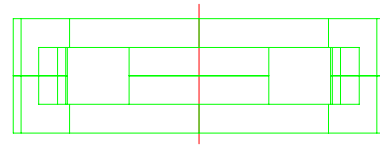
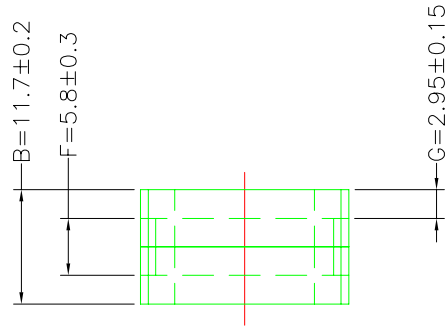
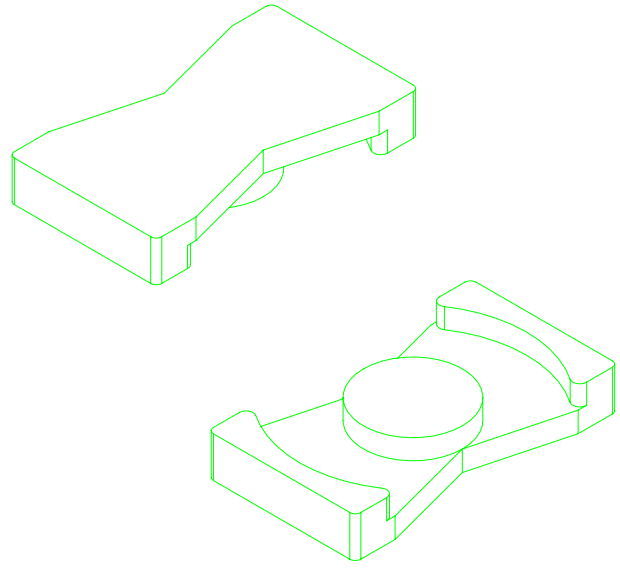
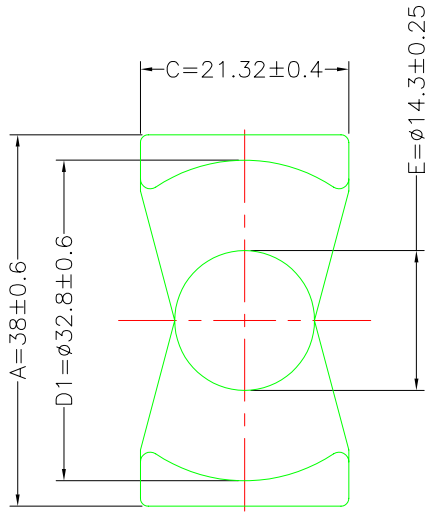
Finish: 1. PB wire Immersion Sn on terminal : Thickness:Sn plating,100,5 μm (200 μ inches) min,Base nickel 0.625 μm (25 μ inches) min.  
2. CP wire Immersion Sn on terminal : Thickness:Sn plating,100,5 μm (200 μ inches) min.  
3. Coplanarity deviation: 0.10 mm (0.004 inches) max.

REV 3

**A-CORE**  
ELECTRICAL CO.

A-CORE JIANGMEN ELECTRONICS CO.,LTD  
江門安磁電子有限公司  
Tel : 86-750-3867791 Fax : 86-750-3867787

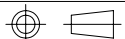
REVISIONS				
REV	SYM	DRAFTER	CHECKER	DATE
1		X.H.GU	G.F.YANG	06/21/10
2				
3				



## Core Set Parameters

A1 (Limbs):  $156.33\text{mm}^2$   
A2(Back wall) :  $114.88\text{mm}^2$   
A3(Center post) :  $160.61\text{mm}^2$   
 $A_e=127\text{mm}^2$   
 $L_e=43.3\text{mm}$   
 $C_1=0.341\text{mm}^{-1}$   
 $V_e=5499.1\text{mm}^3$

DWG NO.	PQ38B11- CORE				
PART NO.	MATERIAL (CORE)	MATERIAL (TERMINAL)	TERMINAL (PLATING)	PIN ALLOCATION	NOTE
PQ38B11	JPP-44A				
PQ38B11	JPP-95				



TOLERANCE:  $0 < L \leq 4 : \pm 0.1$   $4 < L \leq 16 : \pm 0.2$   $16 < L \leq 63 : \pm 0.3$

UNIT : m / m

SCALE 1 : 1

Finish:

REV 1

**A-CORE**

A-CORE JIANGMEN ELECTRONICS CO.,LTD  
江門安磁電子有限公司

**TBI**

TRANSFORMER BOBBIN  
INDUSTRIAL CO.,LTD.

ELECTRICAL CO. Tel : 86-750-3867791 Fax : 86-750-3867787

Tel : 86-769-88789999 Fax : 86-769-88789989

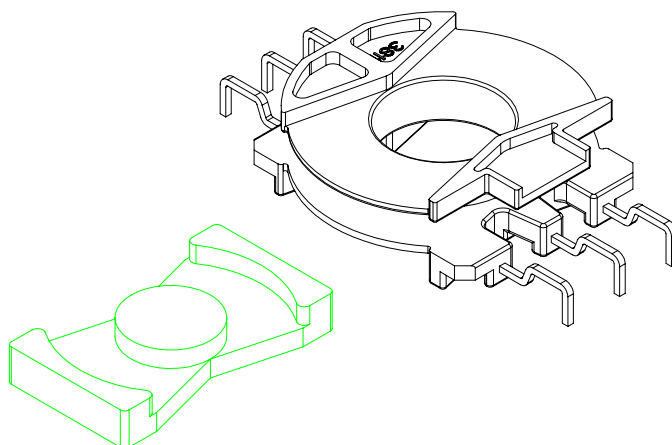
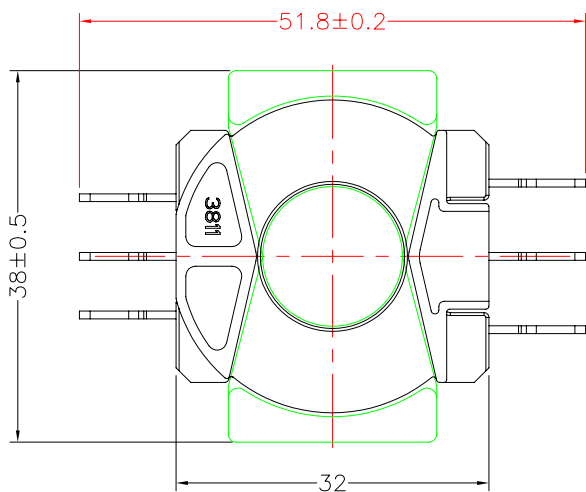
e-mail : sales@acore-ferrite.com

http://tbi-tw.com e-mail : tb6688@ms46.hinet.net

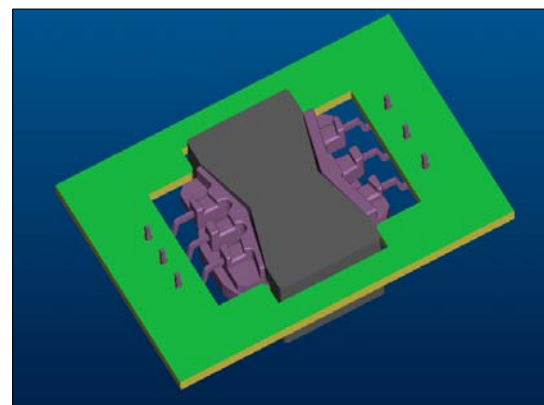
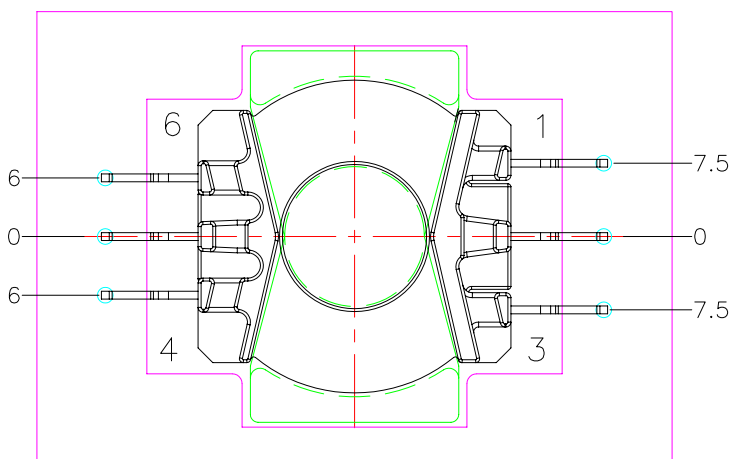
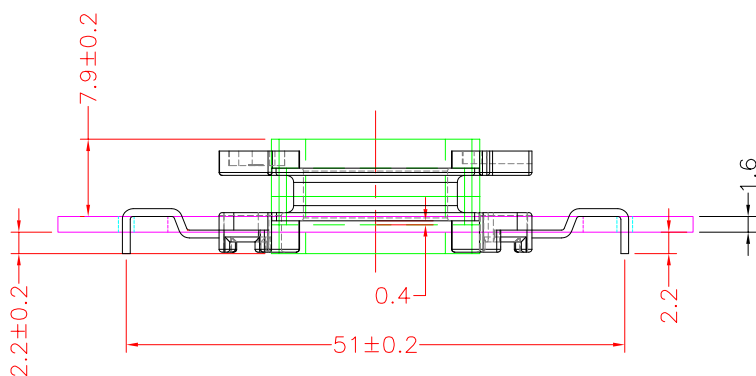
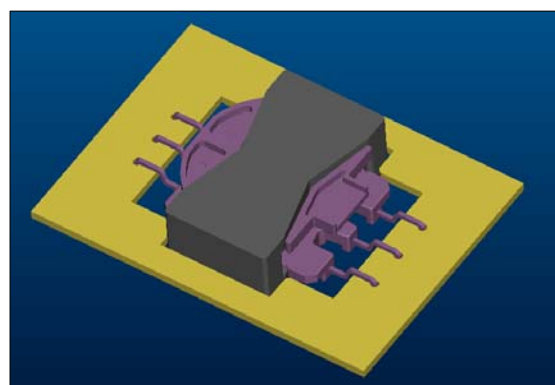
REVISIONS

REV	SYM	DRAFTER	CHECKER	DATE
△1		X.H.GU	G.F.YANG	06/21/10
△2		H.X.DUAN	G.F.YANG	09/10/10
△3		YAN.TANG	G.F.YANG	11/05/10

TOP



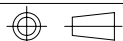
TOP



BOTTOM

BOTTOM

ITEM	PART NO.	MATERIAL	DWG NO.	Core Set Parameters
CORE	PQ38B11	JPP-44A		$A_e=127\text{mm}^2$ $L_e=43.3\text{mm}$ $C_1=0.341\text{mm}^{-1}$ $V_e=5499.1\text{mm}^3$
CORE	PQ38B11	JPP-95		
BOBBIN	TBI-216-14051.12XX		PQ38B11-6P-THT-0E-12	



UNIT : m/m

SCALE 1 : 1

REV

3