



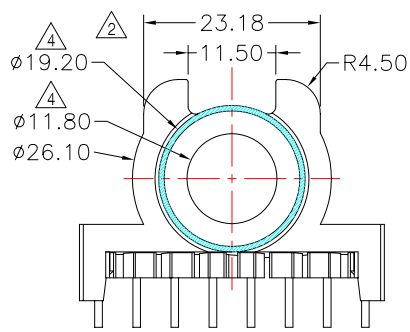
**TRANSFORMER BOBBIN
INDUSTRIAL CO.,LTD.**

Tel : 86-769-88789999 Fax : 86-769-88789989
http:// tbi-tw.com e-mail : tb6688@ms46.hinet.net

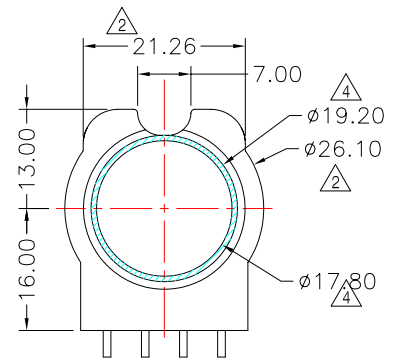
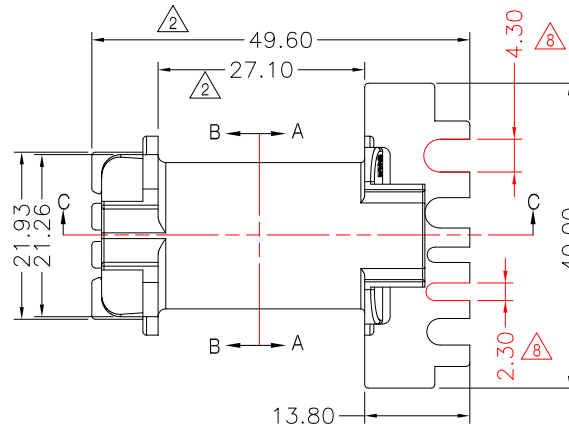
REVISIONS				
REV	SYM	DRAFTER	CHECKER	DATE
△6		G.F.YANG	W.H.HSU	08/11/09
△7		X.H.GU	G.F.YANG	05/30/11
△8		X.H.GU	G.F.YANG	07/02/11

A

A



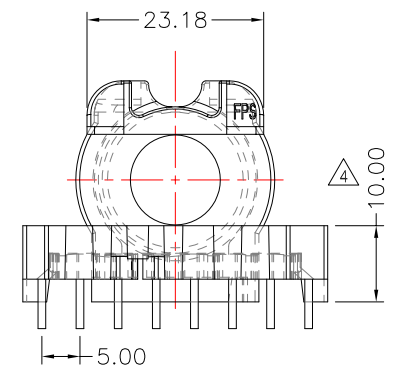
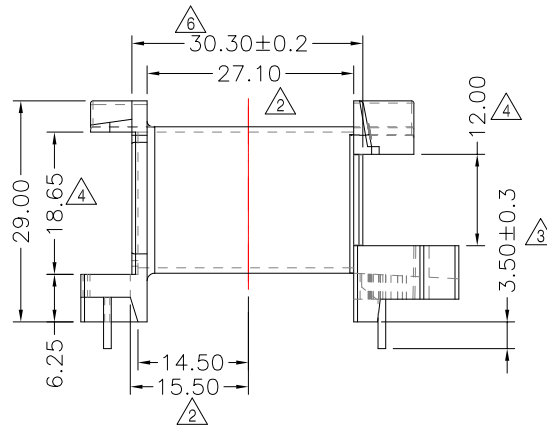
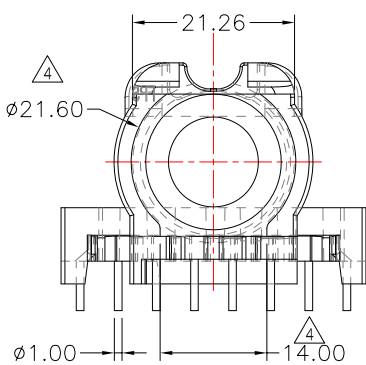
Section A-A



Section B-B

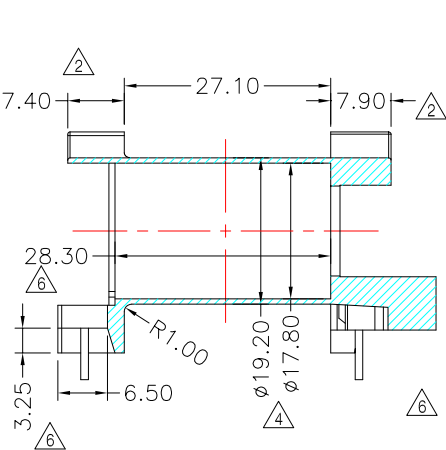
B

B

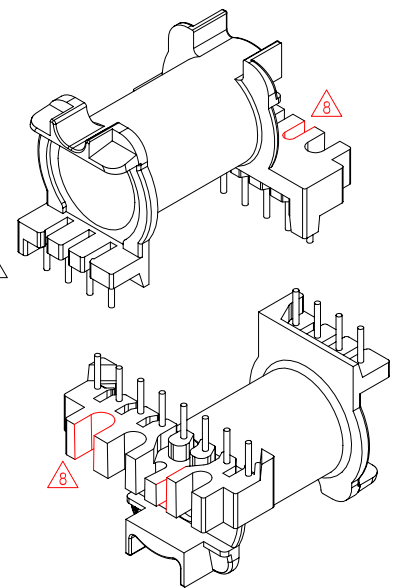
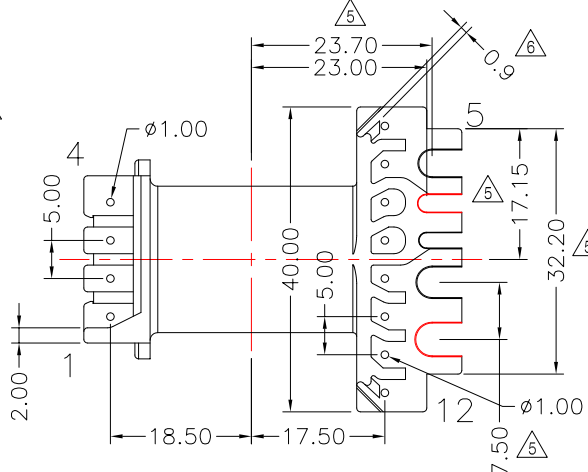


C

C



Section C-C



D

D

E

E

Pin Tension Load :2.0KG Min

DWG NO.	ERL35-H-12P-TH-5.0-A-14				
PART NO.	MATERIAL (BOBBIN)	MATERIAL (TERMINAL)	TERMINAL (PLATING)	PIN ALLOCATION	NOTE
TBI-204-05011.1406	T375J	CP WIRE	Sn	ALL PIN	S.C
△4 TBI-204-05011.1416	T375J	CP WIRE	Sn	CUT PIN # 1,2,9	H.C
△6 TBI-204-05011.1426	T375J	CP WIRE	Sn	CUT PIN # 3,7,8	
TOLERANCE: 0<L<=4±0.1 4<L<=16±0.2 16<L<=63±0.3 Pin Pitch ±0.2					
				UNIT : m / m	SCALE 1 : 1

F

F

Finish: 1. PB wire Immersion Sn on terminal : Thickness:Sn plating,100,5 μm (200 μ inches) min,Base nickel 0.625 μm (25 μ inches) min.
2. CP wire Immersion Sn on terminal : Thickness:Sn plating,100,5 μm (200 μ inches) min.
3. Coplanarity deviation: 0.10 mm (0.004 inches) max.

REV	8
-----	---

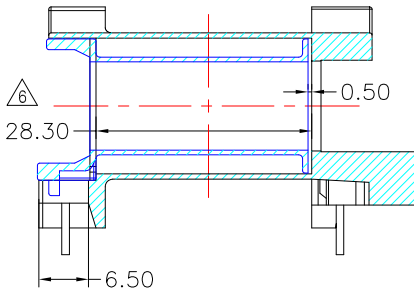
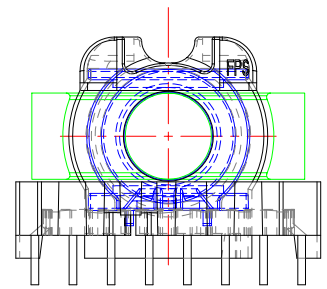
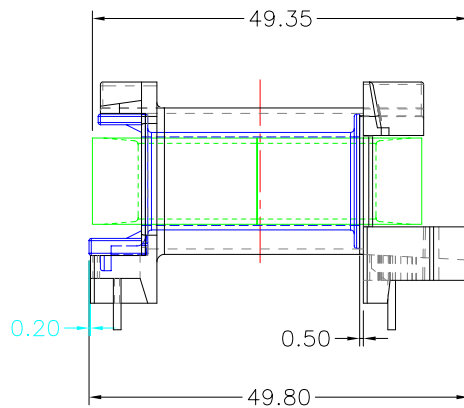
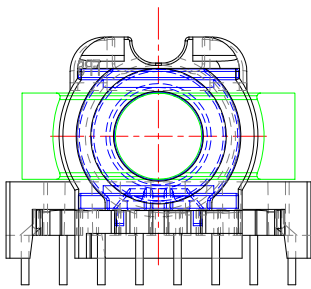
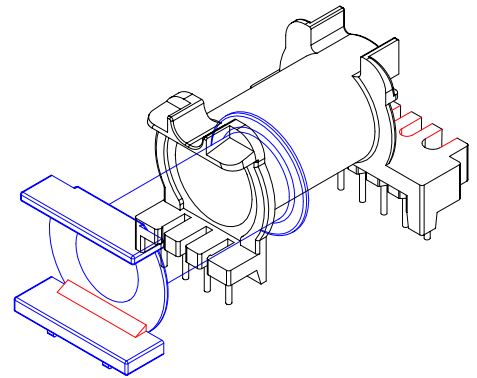
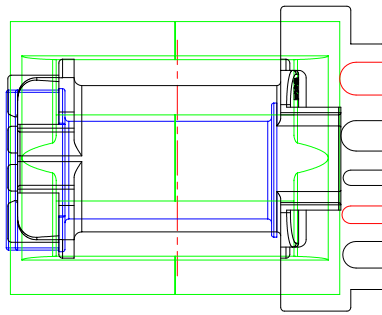


TRANSFORMER BOBBIN
INDUSTRIAL CO.,LTD.

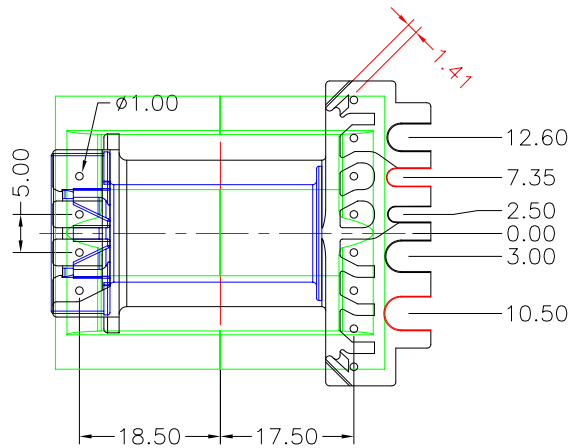
Tel : 86-769-88789999 Fax : 86-769-88789989
http:// tbi-tw.com e-mail : tb6688@ms46.hinet.net

REVISIONS

REV	SYM	DRAFTER	CHECKER	DATE
△6		G.F.YANG	W.H.HSU	08/11/09
△7		X.H.GU	G.F.YANG	05/30/11
△8		X.H.GU	G.F.YANG	07/02/11

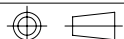


Section C-C



DWG NO. ERL35-H-12P assembly diagram

PART NO.	MATERIAL (BOBBIN)	MATERIAL (TERMINAL)	TERMINAL (PLATING)	PIN ALLOCATION	NOTE



TOLERANCE: 0<L<=4±0.1 4<L<=16±0.2 16<L<=63±0.3 Pin Pitch ±0.2

UNIT : m / m

SCALE 1 : 1

Finish: 1. Pb wire Immersion Sn on terminal : Thickness:Sn plating,100,5 μm (200 μ inches) min,Base nickel 0.625 μm (25 μ inches) min.
2. CP wire Immersion Sn on terminal : Thickness:Sn plating,100,5 μm (200 μ inches) min.
3. Coplanarity deviation: 0.10 mm (0.004 inches) max.

REV 8