

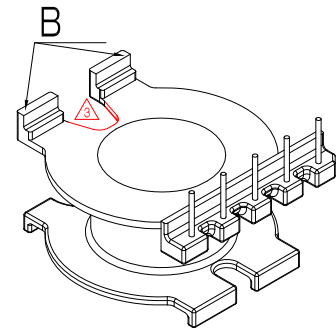
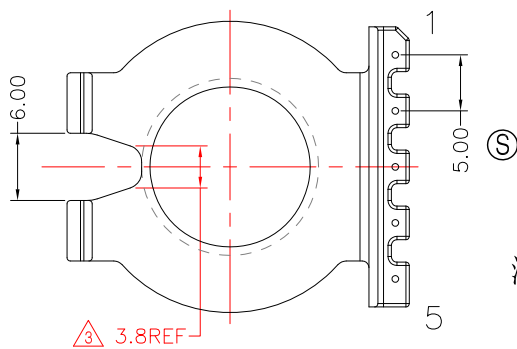
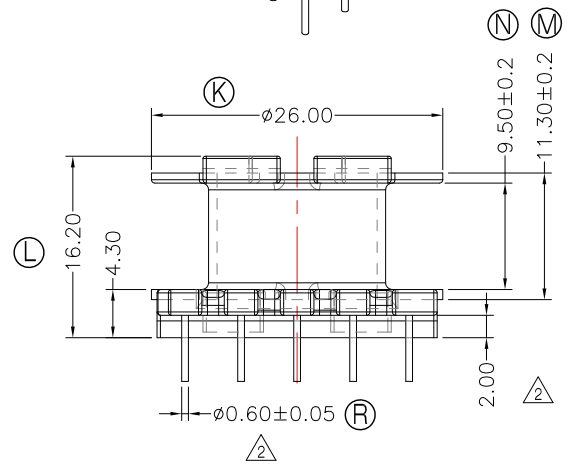
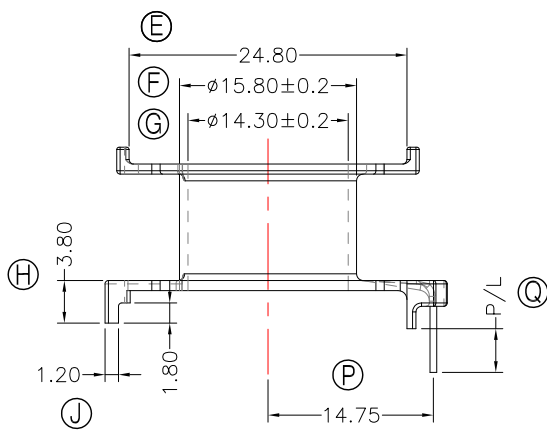
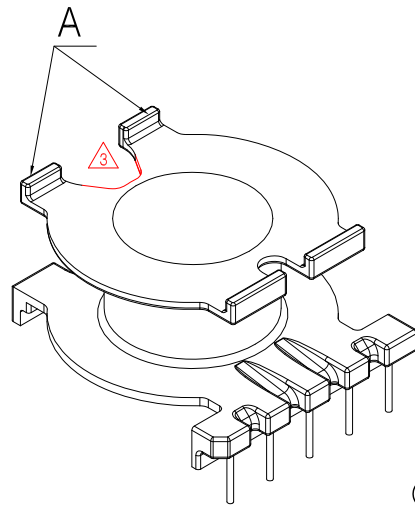
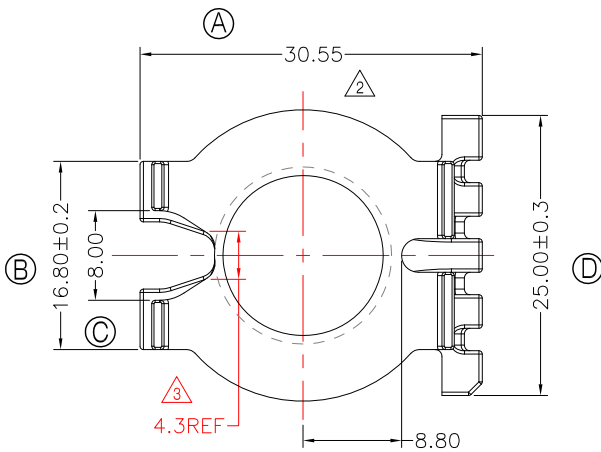


TRANSFORMER BOBBIN
INDUSTRIAL CO.,LTD.

Tel : 86-769-88789999 Fax : 86-769-88789989
http:// tbi-tw.com e-mail : tb6688@ms46.hinet.net

REVISIONS

REV	SYM	DRAFTER	CHECKER	DATE
△1		X.H.GU	G.F.YANG	04/29/11
△2		X.H.GU	G.F.YANG	09/03/11
△3		X.H.GU	G.F.YANG	12/14/11



注: 1.任意一點強度須1.5kg MIN;(除以下測試點.A.B為1.0MIN).

2.PIN拉力須焊前1.0Kg MIN焊后1.5Kg MIN.

與TBI-239-04411.11XX(CC33-17H-1P-CASE-D1-11)配套使用;

DWG NO.	CC33-17H-5P-TH-5.0-D0-11 △2					
PART NO.	MATERIAL (BOBBIN)	MATERIAL (TERMINAL)	TERMINAL (PLATING)	PIN ALLOCATION	NOTE	
TBI-239-04401.1106	PM-9630	CP WIRE	Sn	ALL PIN P/L =3.9±0.2		S
TBI-239-04401.1116	PM-9630	CP WIRE	Sn	ALL PIN P/L =5.0±0.2		H
TBI-239-04401.1126	PM-9630	CP WIRE	Sn	ALL PIN P/L =2.7±0.2		
TBI-239-04401.1136	PM-9630	CP WIRE	Sn	ALL PIN P/L =3.2±0.2		
TBI-239-04401.1146	PM-9630	CP WIRE	Sn	CUT PIN#3 P/L =3.9±0.2		
TBI-239-04401.1156	PM-9630	CP WIRE	Sn	ALL PIN P/L =3.4±0.2		
TBI-239-04401.1166	PM-9630	CP WIRE	Sn	CUT PIN#3 P/L =3.2±0.2		

TOLERANCE: 0<L<=4:±0.1 4<L<=16:±0.2 16<L:±0.3 PIN PITCH:±0.2 UNIT : m/m SCALE 1:1

Finish: 1. PB wire Immersion Sn on terminal : Thickness:Sn plating,100,5 μm (200 μ inches) min,Base nickel 0.625 μm (25 μ inches) min.
2. CP wire Immersion Sn on terminal : Thickness:Sn plating,100,5 μm (200 μ inches) min.
3. Coplanarity deviation: 0.10 mm (0.004 inches)max.

REV 3