

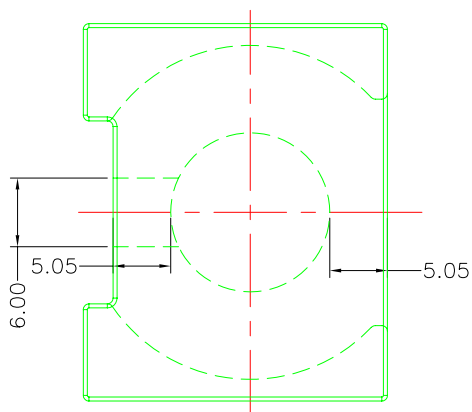
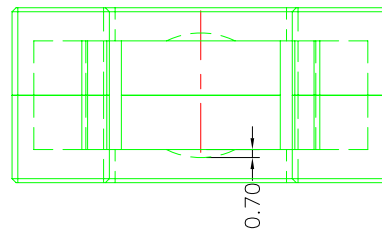
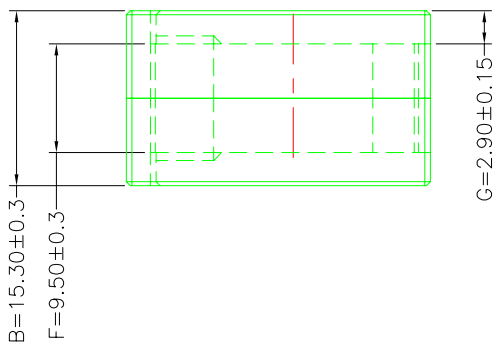
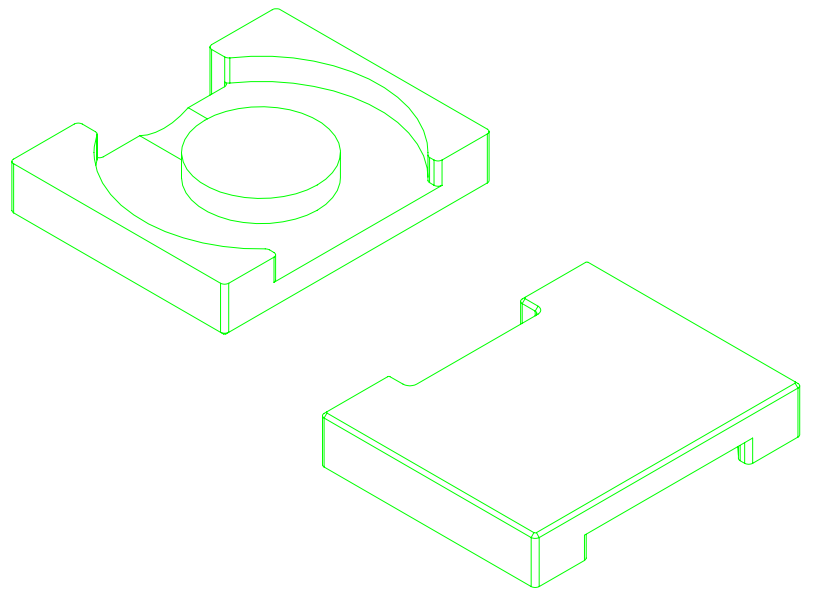
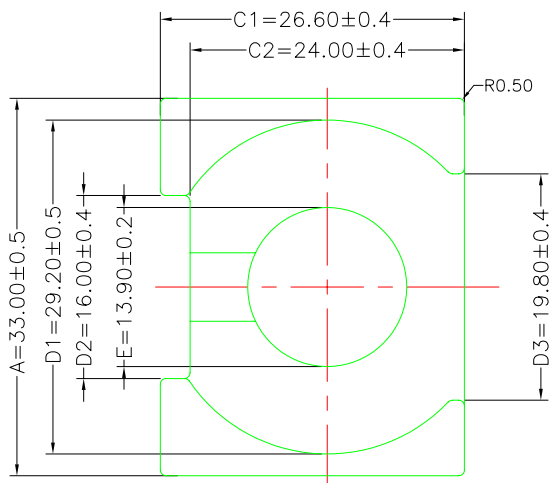




**A-CORE**  
ELECTRICAL CO.

A-CORE JIANGMEN ELECTRONICS CO.,LTD  
 江门安磁电子有限公司  
 Tel: 86-750-3867791 Fax : 86-750-3867787

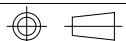
REVISIONS				
REV	SYM	DRAFTER	CHECKER	DATE
①		X.H.GU	G.F.YANG	09/02/11
②				
③				



### Core Set Parameters

$A_e=154\text{mm}^2$   
 $L_e=46.6\text{mm}$   
 $C_1=0.303\text{mm}^{-1}$   
 $V_e=7176.4\text{mm}^3$

DWG NO.	LEP33/15.3-CORE			
PART NO.	MATERIAL (CORE)			NOTE
LEP33/15.3	JPP-44A			
LEP33/15.3	JPP-95			



TOLERANCE:  $0 < L \leq 4: \pm 0.1$   $4 < L \leq 16: \pm 0.2$   $16 < L \leq 63: \pm 0.3$

UNIT : m / m

SCALE 1 : 1

REV 1

**A-CORE**

A-CORE JIANGMEN ELECTRONICS CO.,LTD  
 江門安磁電子有限公司

**TBI**

TRANSFORMER BOBBIN  
 INDUSTRIAL CO.,LTD.

ELECTRICAL CO. Tel : 86-750-3867791 Fax : 86-750-3867787

Tel : 86-769-88789999 Fax : 86-769-88789989

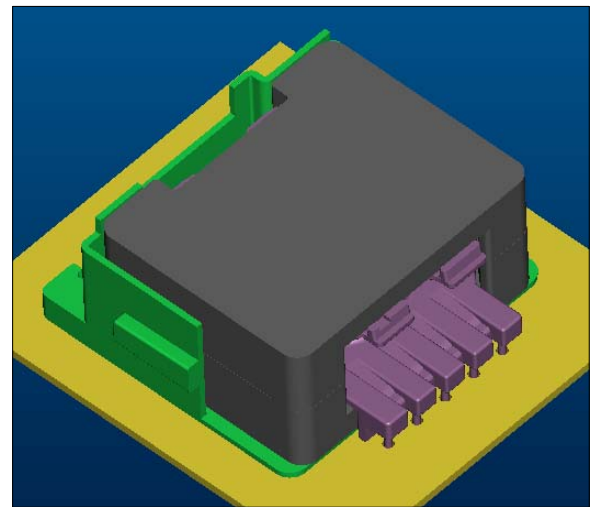
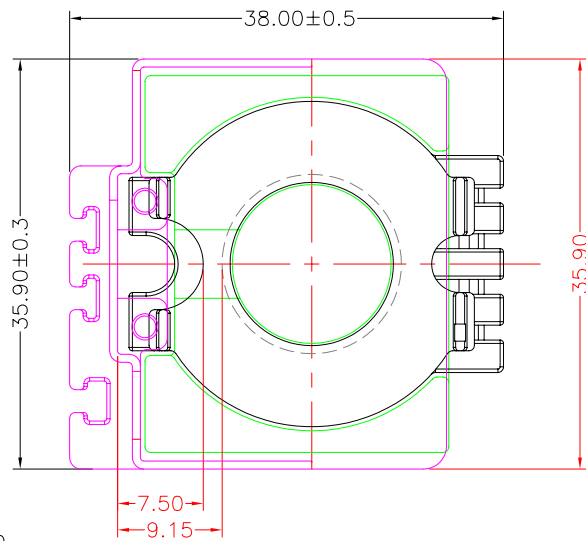
e-mail : sales@acore-ferrite.com

http:// tbi-tw.com e-mail : tb6688@ms46.hinet.net

REVISIONS

REV	SYM	DRAFTER	CHECKER	DATE
△1		X.H.GU	G.F.YANG	09/13/11
△2		X.X.YUAN	G.F.YANG	04/25/12
△3				

TOP



A

B

C

D

E

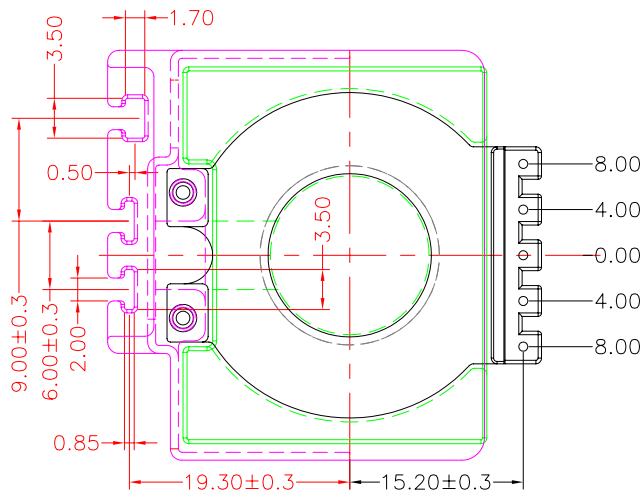
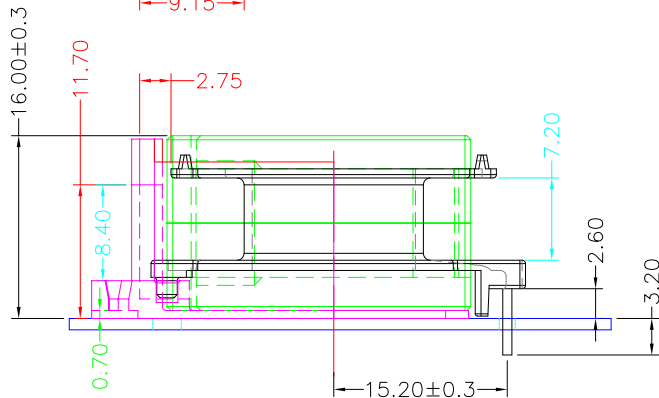
A

B

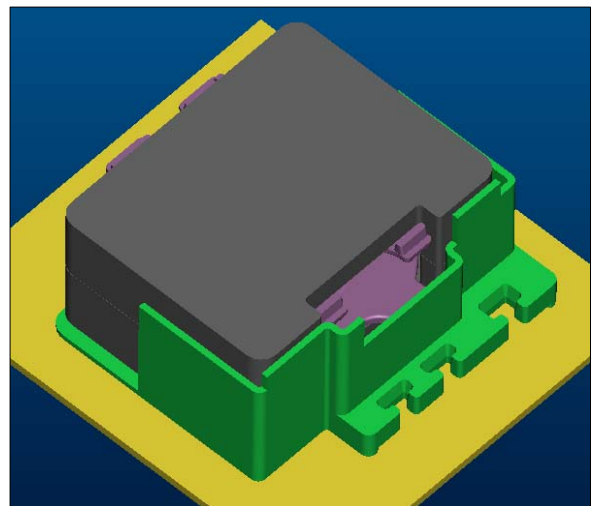
C

D

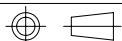
E



BOTTOM



ITEM	PART NO.	MATERIAL	DWG NO.	Core Set Parameters
CORE	LEP33/15.3	JPP-44A		Ae=154mm <sup>2</sup> Le=46.6mm C1=0.303mm <sup>-1</sup> Ve=7176.4mm <sup>3</sup>
CORE	LEP33/15.3	JPP-95		
BOBBIN	TBI-236-01091.11XX		LEP33-15.3-5P-TH-J-11	
CASE	TBI-236-01091.11C		LEP33-15.3-CASE-J-11	



UNIT : m/m

SCALE 1:1

REV 2

F

F