

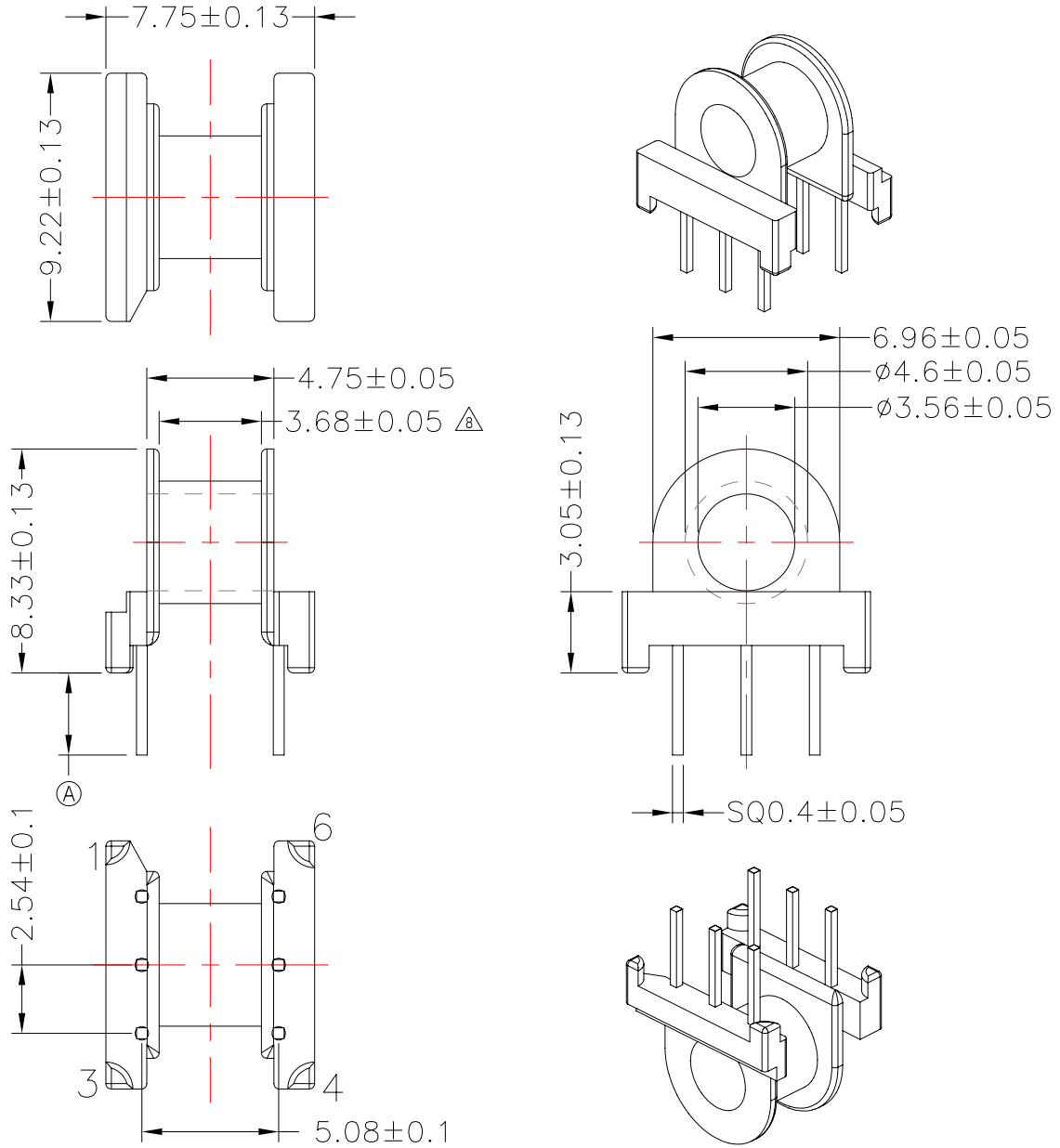


**TRANSFORMER BOBBIN  
INDUSTRIAL CO.,LTD.**

Tel : 86-769-88789999 Fax : 86-769-88789989  
http:// tbi-tw.com e-mail : tb6688@ms46.hinet.net

REVISIONS

REV	SYM	DRAFTER	CHECKER	DATE
△0		S.Y.TANG	S.M.SHIH	09/20/06
△1		S.Y.TANG	W.H.HSU	08/25/07
△2		S.Y.TANG	G.F.YANG	03/12/08



DWG NO. EP7-6P-TH-2.54-A-1

PART NO.	MATERIAL (BOBBIN)	MATERIAL (TERMINAL)	TERMINAL (PLATING)	PIN ALLOCATION	NOTE
TBI-203-08011.106	PM-9630	C.P WIRE	Sn	ALL PIN (A) = 3.05±0.25	15-1000-XX
TBI-203-08011.116	PM-9630	C.P WIRE	Sn	PIN CUT #4 (A) = 2.75±0.25	325 00 169 20
TBI-203-08011.126	PM-9630	C.P WIRE	Sn	PIN CUT #5 (A) = 3.05±0.25	15-1000-XX
TBI-203-08011.136	PM-9630	C.P WIRE	Sn	PIN CUT # 2,5 (A) = 3.05±0.25	15-1000-04
TBI-203-08011.146	PM-9630	C.P WIRE	Sn	PIN CUT #4 (A) = 3.25±0.15	02-17-022
TBI-203-08011.156	PM-9630	C.P WIRE	Sn	PIN CUT #6 (A) = 2.75±0.25	325 00 169 30△0
TBI-203-08011.166	PM-9630	C.P WIRE	Sn	ALL PIN (A) = 2.75±0.25	325 00 169 10
TBI-203-08011.176	PM-9630	C.P WIRE	Sn	ALL PIN (A) = 3.4±0.3△9	
TBI-203-08011.186	PM-9630	C.P WIRE	Sn	ALL PIN (A) = 4.0±0.3△11	
TBI-203-08011.196	PM-9630	C.P WIRE	Sn	PIN CUT #2,5 (A) = 3.4±0.3△12	
TBI-203-08011.1A6	PM-9630	C.P WIRE	Sn	PIN CUT #2 (A) = 4.0±0.3△12	
TBI-203-08011.1B6	PM-9630	C.P WIRE	Sn	PIN CUT #6 (A) = 4.0±0.3	
TBI-203-08011.1C6	PM-9630	C.P WIRE	Sn	PIN CUT #5 (A) = 3.4±0.2	

TOLERANCE: .X±0.15 .XX±0.10 .XXX±0.05 UNIT : m / m SCALE 4 : 1

Finish: 1. Pb wire Immersion Sn on terminal : Thickness:Sn plating,100,5 μm (200 μ inches) min,Base nickel 0.625 μm (25 μ inches) min.  
2. CP wire Immersion Sn on terminal : Thickness:Sn plating,100,5 μm (200 μ inches) min.  
3. Coplanarity deviation: 0.10 mm (0.004 inches)max.

REV 12