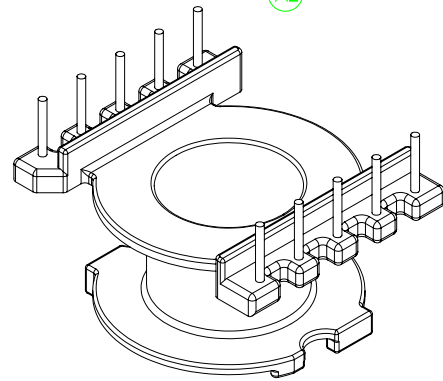
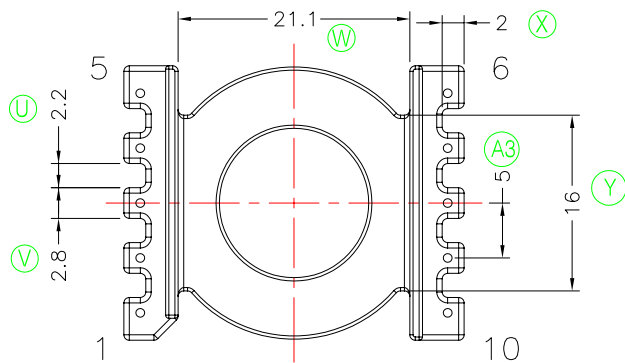
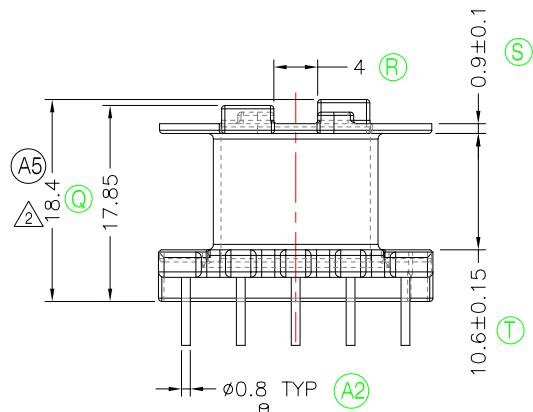
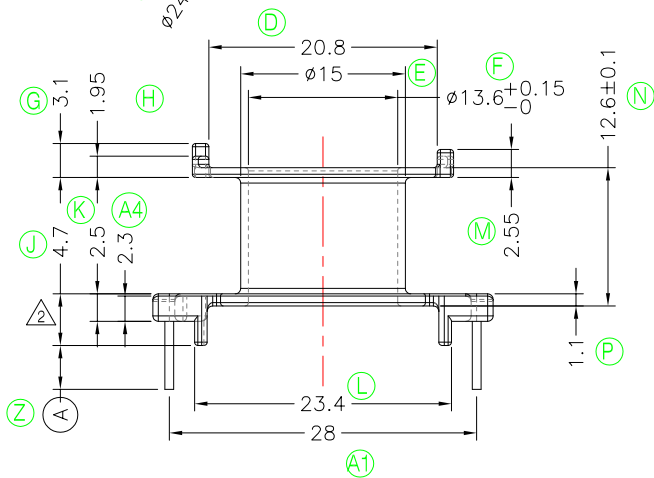
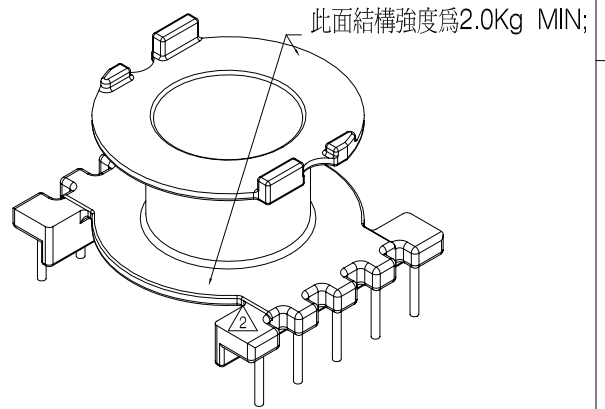
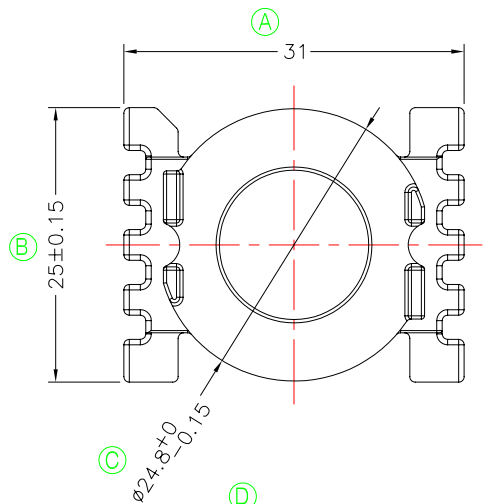




TRANSFORMER BOBBIN
INDUSTRIAL CO.,LTD.

Tel : 86-769-88789999 Fax : 86-769-88789989
http:// tbi-tw.com e-mail : tb6688@ms46.hinet.net

REVISIONS				
REV	SYM	DRAFTER	CHECKER	DATE
①		YAN.TANG	G.F.YANG	07/21/09
②		G.F.YANG	W.H.HSU	07/29/09
③				



NOTE:
1. 焊錫前拉力:1.0KG MIN, 焊錫後拉力:1.5KG MIN

DWG NO.	EQ30-19-10P-TH-5.0-A-12					
PART NO.	MATERIAL (BOBBIN)	MATERIAL (TERMINAL)	TERMINAL (PLATING)	PIN ALLOCATION	NOTE	
TBI-235-04011.1206	PM-9820	CP WIRE	Sn	ALL PIN (A)=4.0±0.2		
② TBI-235-04011.1216	PM-9820	CP WIRE	Sn	ALL PIN (A)=4.5±0.3		
② TBI-235-04011.1226	PM-9820	CP WIRE	Sn	CUT PIN #3,8 (A)=3.1±0.3		
② TBI-235-04011.1236	PM-9820	CP WIRE	Sn	CUT PIN #2,3,4,8 (A)=4.0±0.2		
② TBI-235-04011.1246	PM-9820	CP WIRE	Sn	CUT PIN #6,10 (A)=3.1±0.3		
F ② TBI-235-04011.1256	PM-9820	CP WIRE	Sn	ALL PIN (A)=3.2±0.2		
TBI-235-04011.1266	PM-9820	CP WIRE	Sn	CUT PIN #3,5,6 (A)=4.0±0.2		
TBI-235-04011.1276	PM-9820	CP WIRE	Sn	CUT PIN #3,5,6 (A)=3.2±0.2		

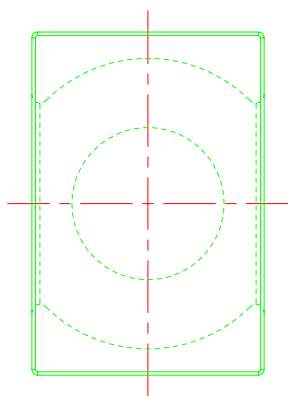
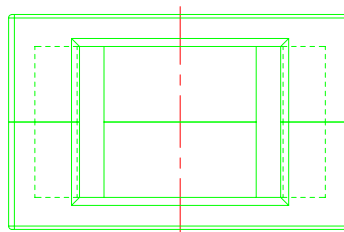
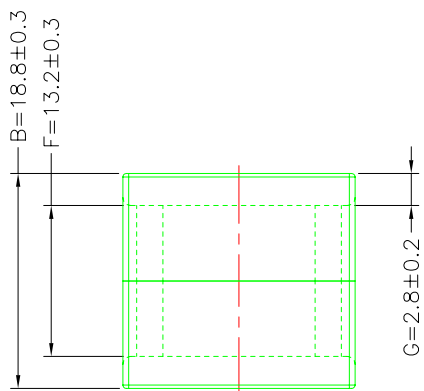
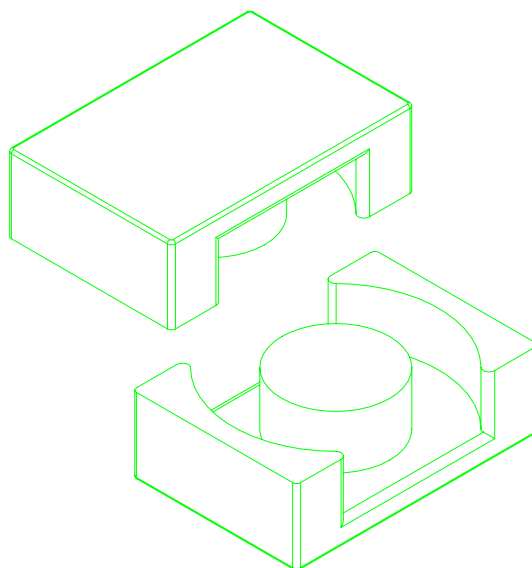
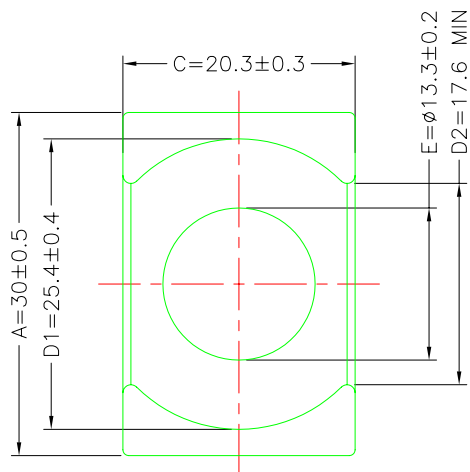
	TOLERANCE: 0<L<=4: ±0.1 4<L<=16: ±0.2 16<L<=63: ±0.3	UNIT : m / m	SCALE	3 : 2
Finish: 1. PB wire Immersion Sn on terminal : Thickness:Sn plating,100,5 μm (200 μ inches) min,Base nickel 0.625 μm (25 μ inches) min. 2. CP wire Immersion Sn on terminal : Thickness:Sn plating,100,5 μm (200 μ inches) min. 3. Coplanarity deviation: 0.10 mm (0.004 inches)max.			REV	2

A-CORE
ELECTRICAL CO.

A-CORE JIANGMEN ELECTRONICS CO.,LTD
 江门安磁电子有限公司
 Tel: 86-750-3867791 Fax : 86-750-3867787

REVISIONS

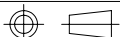
REV	SYM	DRAFTER	CHECKER	DATE
①		S.Y.TANG	G.F.YANG	07/21/09
②				
③				



Cross section area

- A1 (Limbs) =152.4mm²
- A2(Back wall) =113.7mm²
- A3(Center post) =138.9mm²
- Ae =137mm²
- Le =47.2mm
- C1 =0.34mm⁻¹

DWG NO.	EQ30/19-CORE				
PART NO.	MATERIAL (BOBBIN)	MATERIAL (TERMINAL)	TERMINAL (PLATING)	PIN ALLOCATION	NOTE
EQ30/19	JPP-44A				
EQ30/19	JPP-95				



Finish:

UNIT : m/m

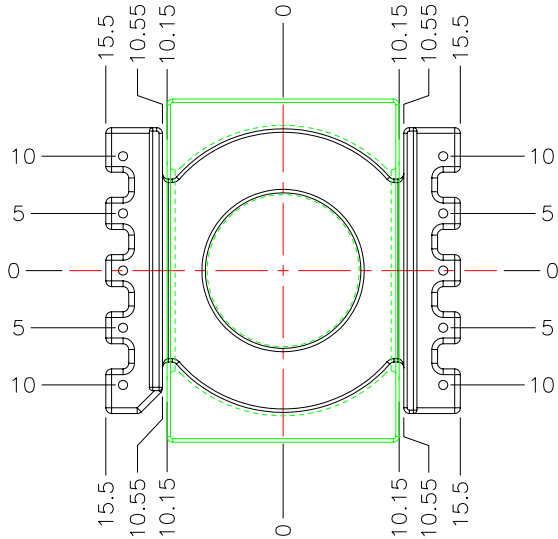
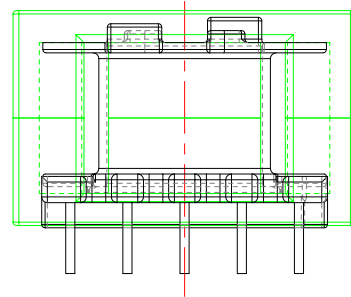
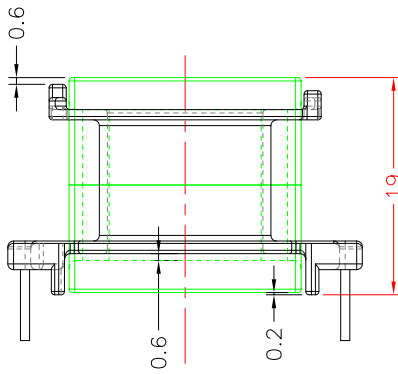
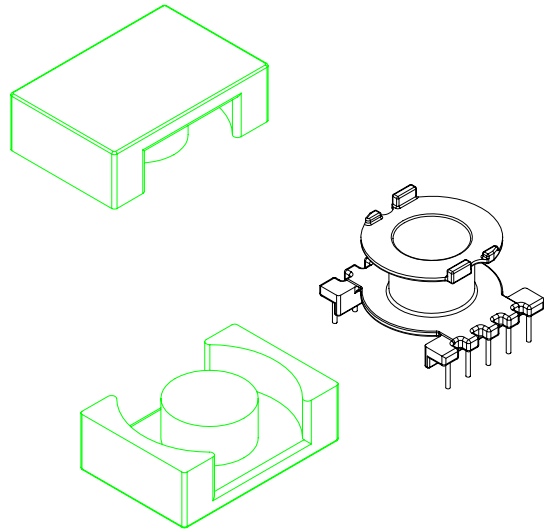
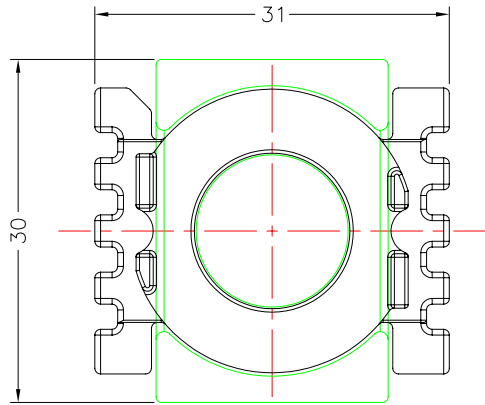
SCALE 3:2

REV 1

**TBI****TRANSFORMER BOBBIN
INDUSTRIAL CO.,LTD.**Tel : 86-769-88789999 Fax : 86-769-88789989
http:// tbi-tw.com e-mail : tb6688@ms46.hinet.net

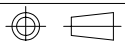
REVISIONS

REV	SYM	DRAFTER	CHECKER	DATE
1		S.Y.TANG	G.F.YANG	07/21/09
2		G.F.YANG	W.H.HSU	07/29/09
3				



DWG NO. EQ30-19-10P-TH-5.0-A-12-assembly diagram

PART NO. MATERIAL (BOBBIN) MATERIAL (TERMINAL) TERMINAL (PLATING) PIN ALLOCATION NOTE



TOLERANCE: 0<L<=4: ±0.1 4<L<=16: ±0.2 16<L<=63: ±0.3

UNIT : m / m

SCALE 3 : 2

REV 2