

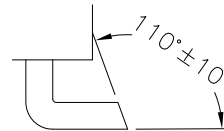
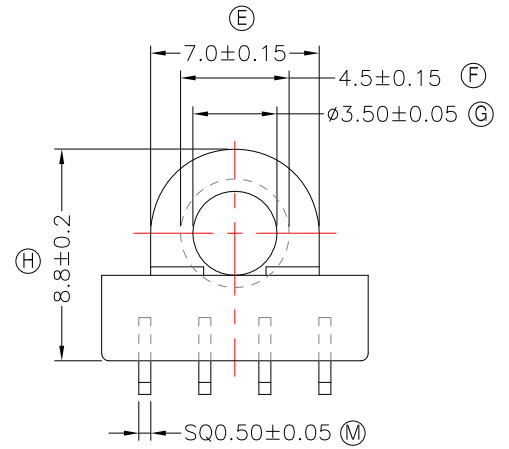
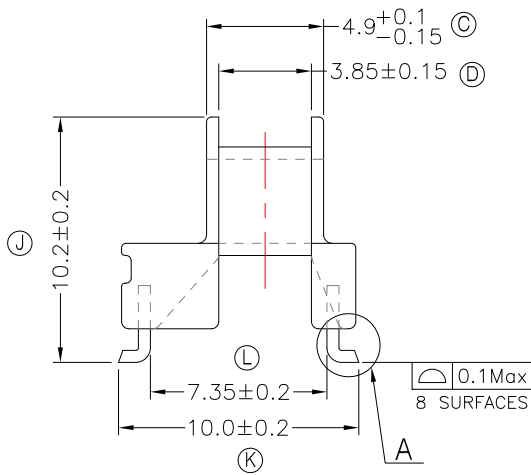
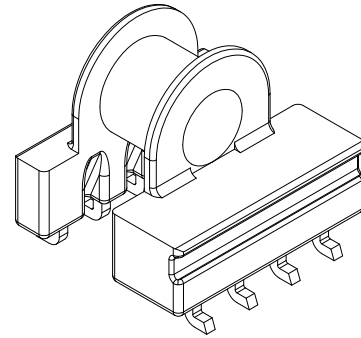
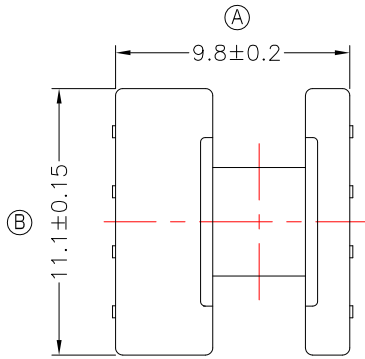


**TRANSFORMER BOBBIN INDUSTRIAL CO.,LTD.**

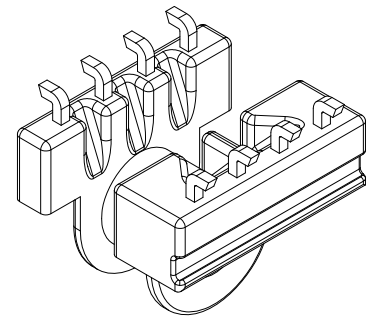
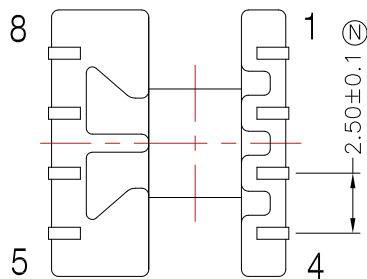
Tel : 86-769-88789999 Fax : 86-769-88789989  
 http:// tbi-tw.com e-mail : tb6688@ms46.hinet.net

REVISIONS

REV	SYM	DRAFTER	CHECKER	DATE
1		X.H.GU	G.F.YANG	07/20/18
2				
3				



DETAIL : A (PATENTED)



Pull strength of Pin : 1.0 Kg Min.

DWG NO.	EP7-8P-L-2.5V-E0-11				
PART NO.	MATERIAL (BOBBIN)	MATERIAL (TERMINAL)	TERMINAL (PLATING)	PIN ALLOCATION	NOTE
TBI-103-08501.1103	PM-9630	PB	Sn	ALL PIN	

Finish:	TOLERANCE: .X±0.15 .XX±0.10 .XXX±0.05			UNIT : m / m	SCALE 1 : 1
	1. PB wire Immersion Sn on terminal : Thickness:Sn plating, 100%, 5 μ m (200 μ inches) min, Base nickel 0.625 μ m (25 μ inches) min. 2. CP wire Immersion Sn on terminal : Thickness:Sn plating, 100%, 5 μ m (200 μ inches) min. 3. Coplanarity deviation: 0.10 mm (0.004 inches) max.				REV