

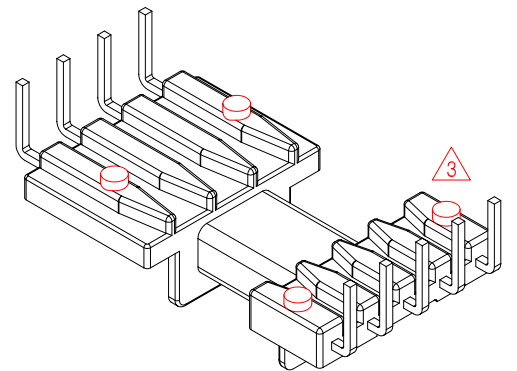
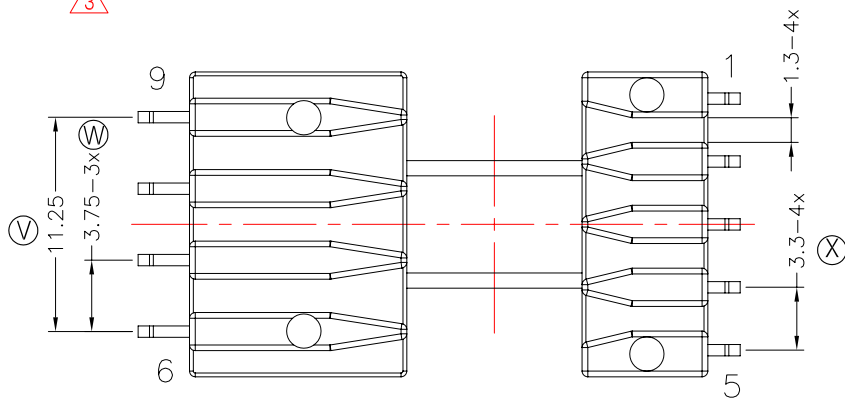
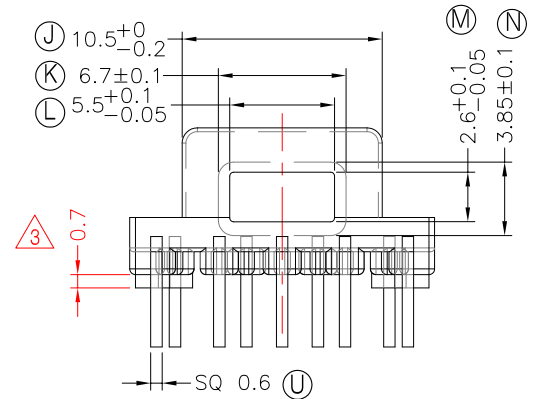
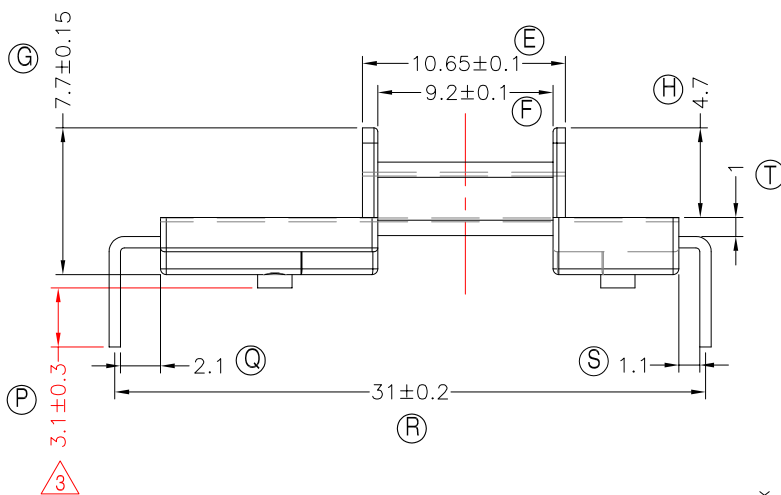
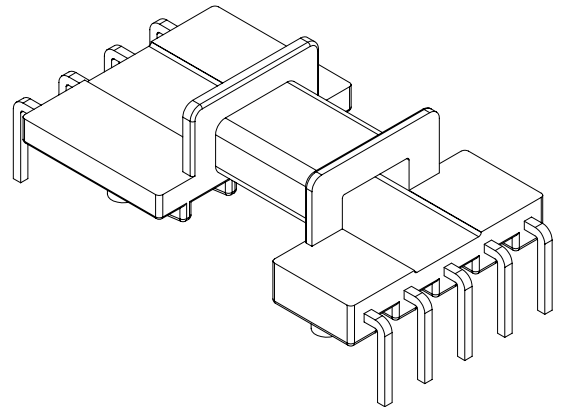
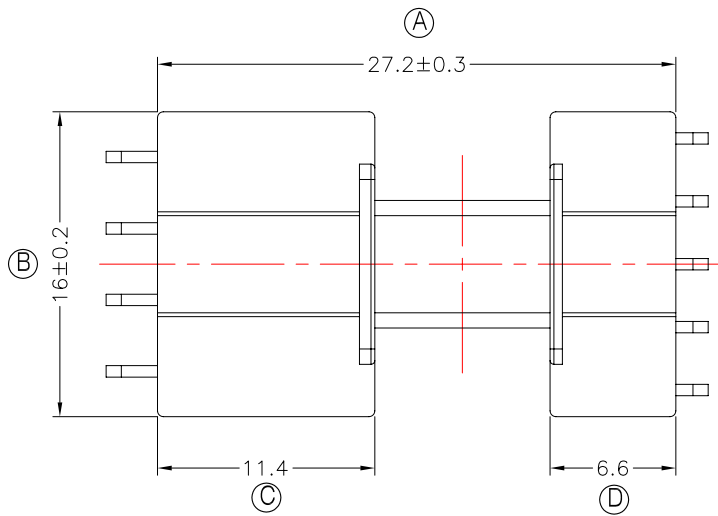


**TRANSFORMER BOBBIN
INDUSTRIAL CO.,LTD.**

Tel : 86-769-88789999 Fax : 86-769-88789989
http:// tbi-tw.com e-mail : tb6688@ms46.hinet.net

REVISIONS

REV	SYM	DRAFTER	CHECKER	DATE
1		YAN.TANG	G.F.YANG	07/19/10
2		X.X.YUAN	G.F.YANG	06/04/11
3		X.H.GU	G.F.YANG	06/21/11



DWG NO. EFD15-9P-TL-0H-12

PART NO. MATERIAL (BOBBIN) MATERIAL (TERMINAL) TERMINAL (PLATING) PIN ALLOCATION NOTE

TBI-207-03081.1206 PM-9820 CP WIRE Sn ALL PIN

H

TOLERANCE: 0<L<=4:±0.1 4<L<=16:±0.2 16<L<=63:±0.3

UNIT : m / m

SCALE 1 : 1

Finish: 1. PB wire Immersion Sn on terminal : Thickness:Sn plating,100,5 μm (200 μ inches) min,Base nickel 0.625 μm (25 μ inches) min.
2. CP wire Immersion Sn on terminal : Thickness:Sn plating,100,5 μm (200 μ inches) min.
3. Coplanarity deviation: 0.10 mm (0.004 inches) max.

REV 3

A-CORE

A-CORE JIANGMEN ELECTRONICS CO.,LTD
 江門安磁電子有限公司

TBI

TRANSFORMER BOBBIN
 INDUSTRIAL CO.,LTD.

ELECTRICAL CO. Tel : 86-750-3867791 Fax : 86-750-3867787

Tel : 86-769-88789999 Fax : 86-769-88789989

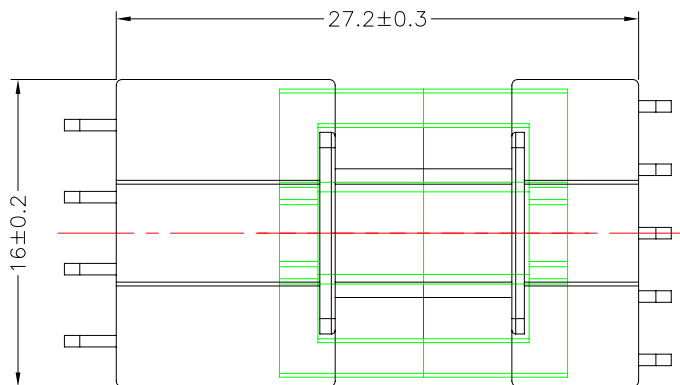
e-mail : sales@acore-ferrite.com

http:// tbi-tw.com e-mail : tb6688@ms46.hinet.net

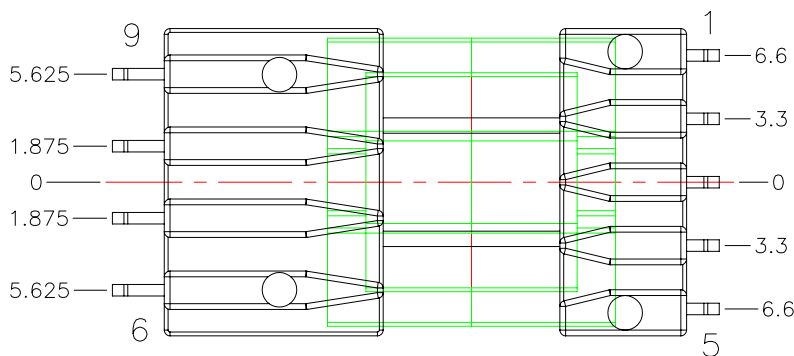
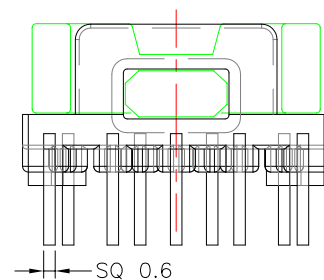
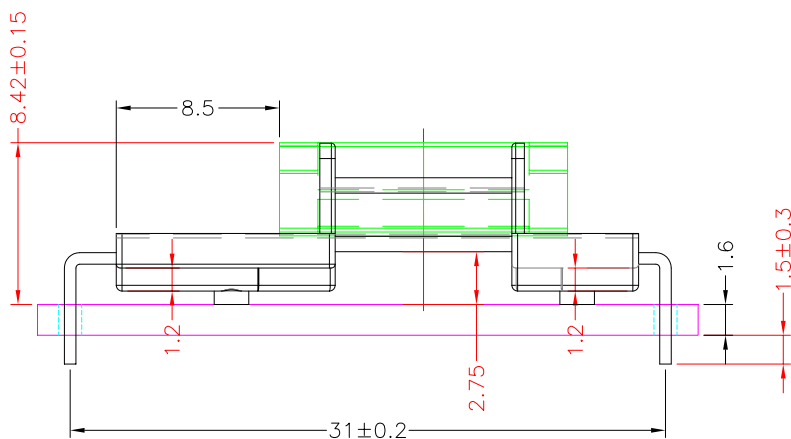
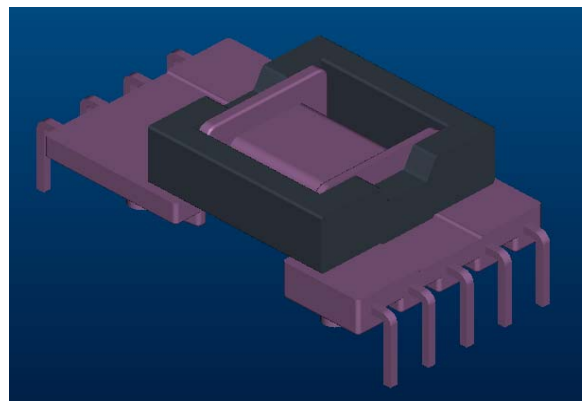
REVISIONS

REV	SYM	DRAFTER	CHECKER	DATE
△1		YAN.TANG	G.F.YANG	07/19/10
△2		X.X.YUAN	G.F.YANG	06/04/11
△3		X.H.GU	G.F.YANG	06/21/11

TOP

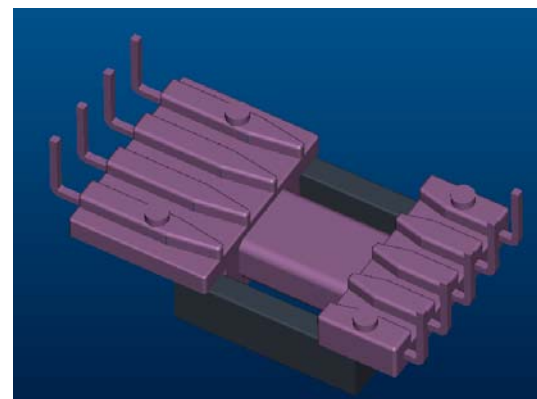


TOP

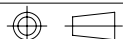


BOTTOM

BOTTOM



ITEM	PART NO.	MATERIAL	DWG NO.	Core Set Parameters
CORE	EFD15-15A	JPP-44A		Ae=15mm ² Le=34mm C1=2.27mm ⁻¹ Ve=510mm ³
CORE	EFD15-15A	JPP-95		
BOBBIN	TBI-207-03081.12XX		EFD15-9P-TL-0H-12	



UNIT : m/m

SCALE 1 : 1

REV 3