

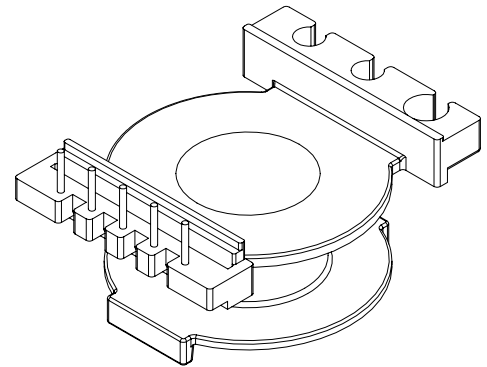
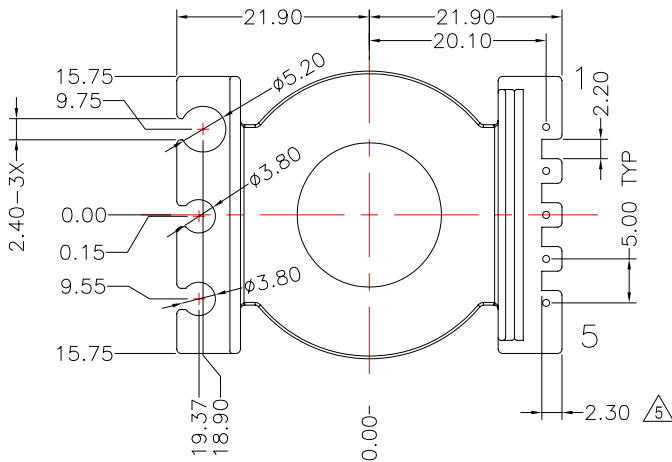
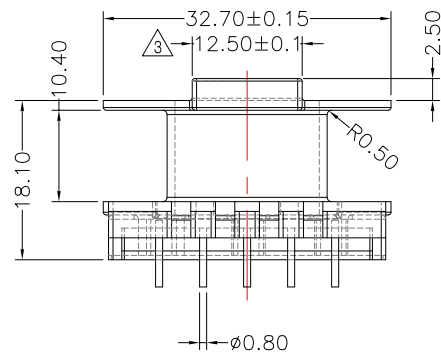
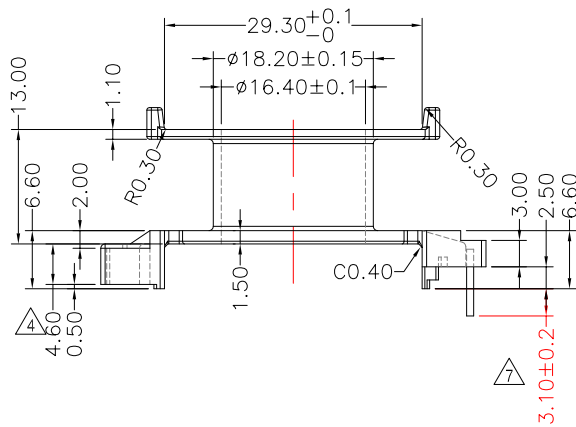
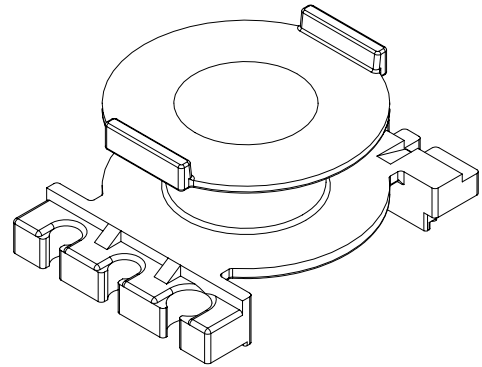
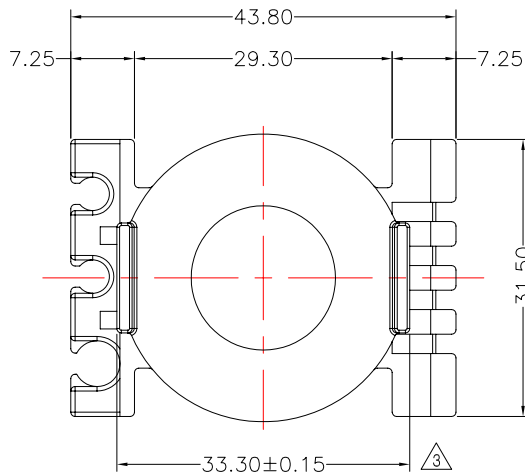


**TRANSFORMER BOBBIN
INDUSTRIAL CO.,LTD.**

Tel : 86-769-88789999 Fax : 86-769-88789999
 http:// tbi-tw.com e-mail : tb6688@ms46.hinet.net

REVISIONS

REV	SYM	DRAFTER	CHECKER	DATE
5		X.H.GU	G.F.YANG	06/04/09
6		YAN.TANG	G.F.YANG	11/13/09
7		YAN.TANG	G.F.YANG	12/15/09



DWG NO. CC40-21-5P-TH-5.0-D-12

PART NO. MATERIAL (BOBBIN) MATERIAL (TERMINAL) TERMINAL (PLATING) PIN ALLOCATION NOTE

TBI-239-01041.1206 PM-9820 Δ_6 CP WIRE Sn ALL PIN

TOLERANCE: 0<L<=4:±0.1 4<L<=16:±0.2 16<L<=50:±0.3 PIN PITCH±0.2

UNIT : m / m

SCALE 1 : 1

Finish: 1. PB wire Immersion Sn on terminal : Thickness:Sn plating,100,5 μ m (200 μ inches) min,Base nickel 0.625 μ m (25 μ inches) min.
 2. CP wire Immersion Sn on terminal : Thickness:Sn plating,100,5 μ m (200 μ inches) min.
 3. Coplanarity deviation: 0.10 mm (0.004 inches) max.

REV 7

A-CORE

A-CORE JIANGMEN ELECTRONICS CO.,LTD
 江門安磁電子有限公司

TBI

TRANSFORMER BOBBIN
 INDUSTRIAL CO.,LTD.

ELECTRICAL CO. Tel : 86-750-3867791 Fax : 86-750-3867787

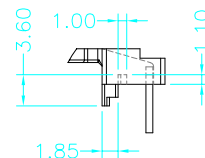
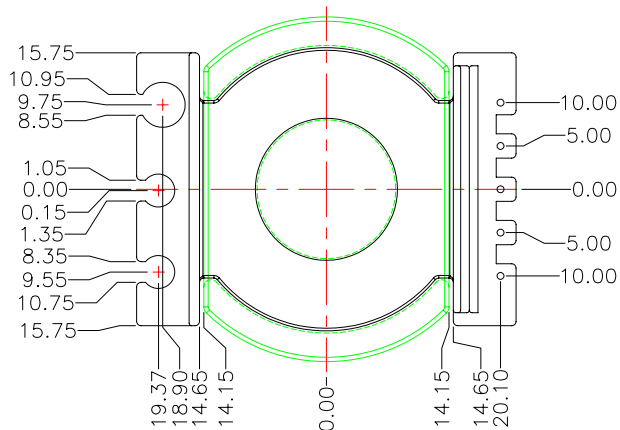
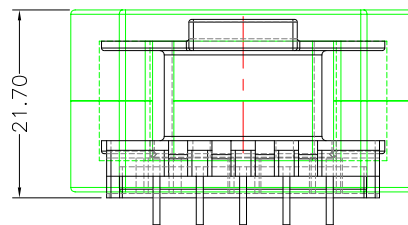
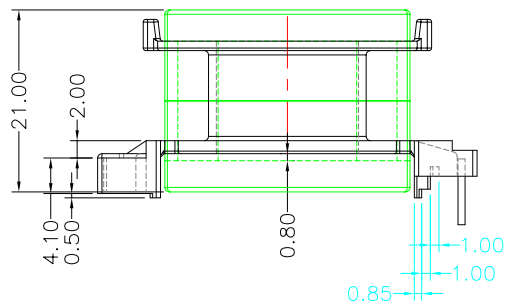
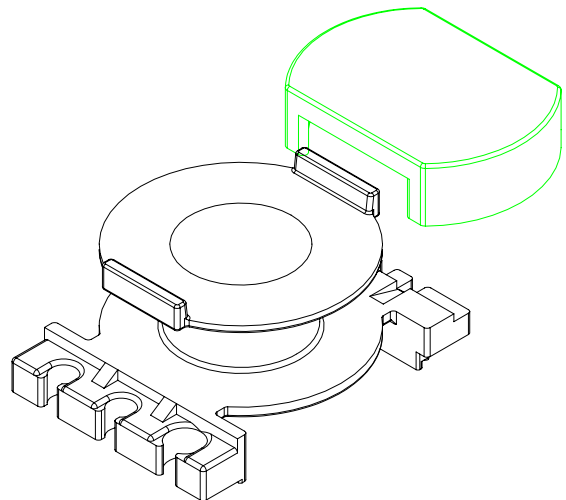
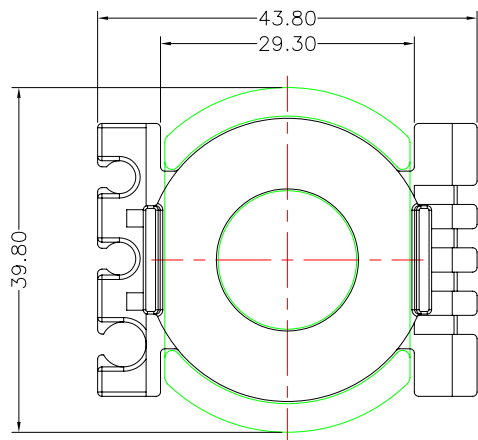
Tel : 86-769-88789999 Fax : 86-769-88789989

e-mail : sales@acore-ferrite.com

http:// tbi-tw.com e-mail : tb6688@ms46.hinet.net

REVISIONS

REV	SYM	DRAFTER	CHECKER	DATE
△		X.H.GU	G.F.YANG	06/04/09
△		YAN.TANG	G.F.YANG	11/13/09
△		YAN.TANG	G.F.YANG	12/15/09



creepage path:
 $1.85+3.6+1.1+1.0=7.55$

ITEM	PART NO.	MATERIAL	DWG NO.	Core Set Parameters
CORE	CC40/21	JPP-44A		Ae =205.0mm ² Le =66.6mm C1 =0.325mm ⁻¹ Ve =135653mm ³
CORE	CC40/21	JPP-95		
BOBBIN	TBI-239-01041.12XX		CC40-21-5P-TH-5.0-D-12	
			UNIT : m / m	SCALE 1 : 1
				REV 7