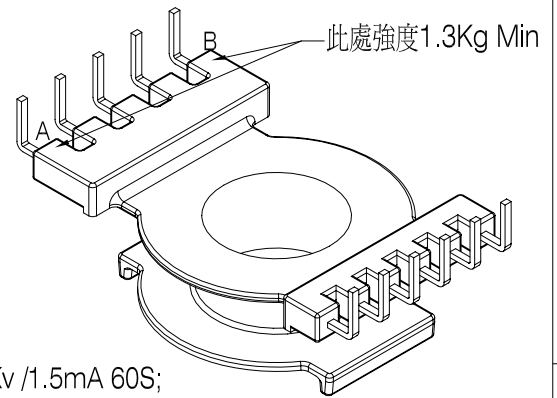
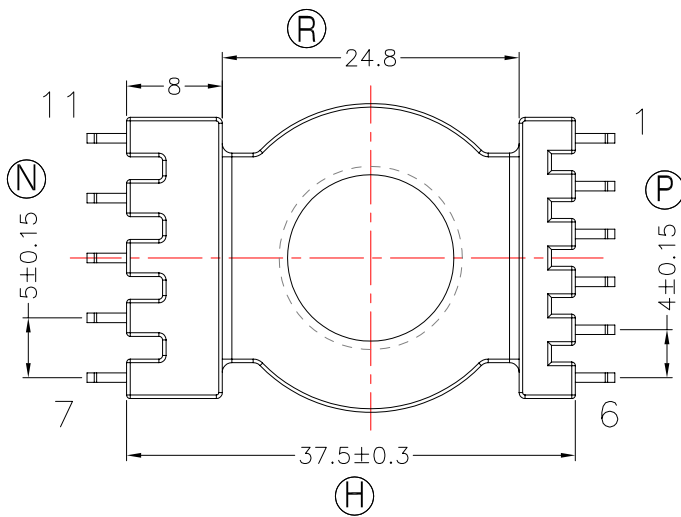
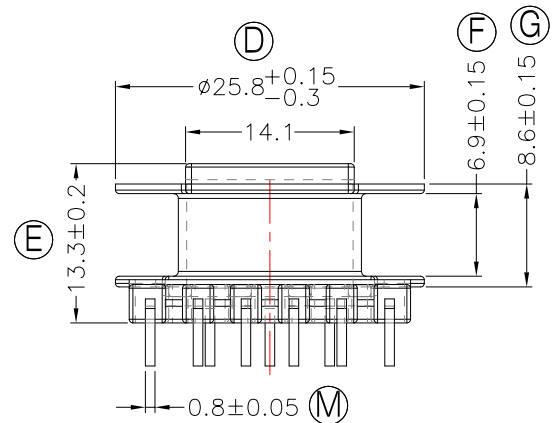
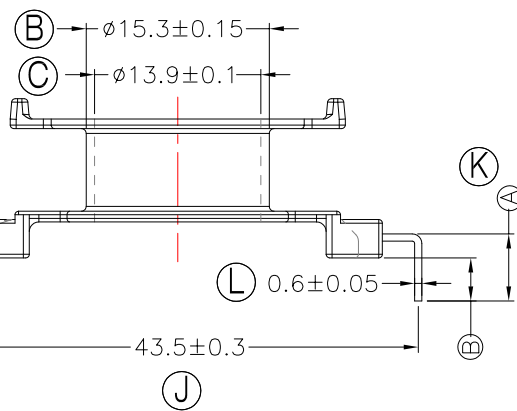
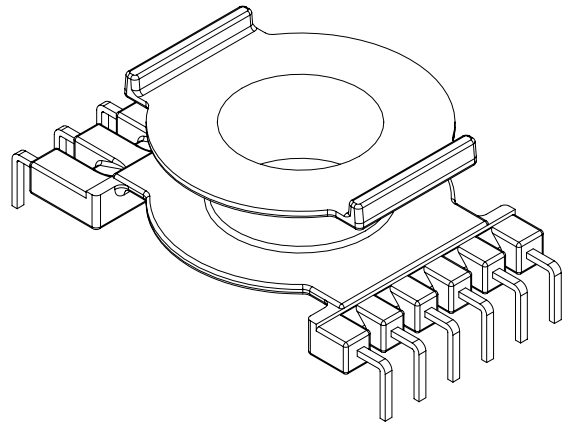
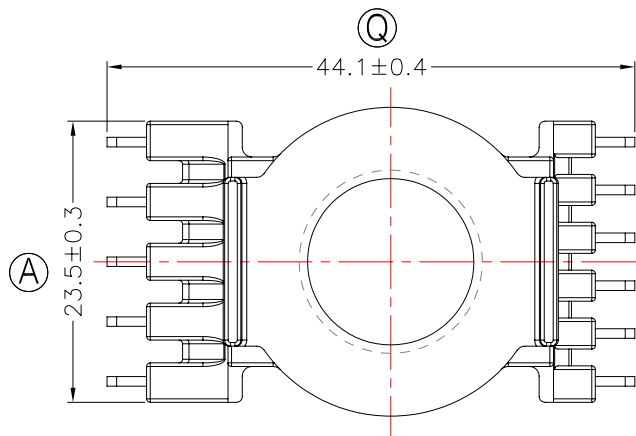




TRANSFORMER BOBBIN  
INDUSTRIAL CO.,LTD.

Tel : 86-769-88789999 Fax : 86-769-88789989  
http:// tbi-tw.com e-mail : tb6688@ms46.hinet.net

| REVISIONS |     |         |          |          |
|-----------|-----|---------|----------|----------|
| REV       | SYM | DRAFTER | CHECKER  | DATE     |
| 1         |     | X.H.GU  | G.F.YANG | 09/03/14 |
| 2         |     |         |          |          |
| 3         |     |         |          |          |



NOTE:

- 1.耐壓4.0Kv /1.5mA 60S;
- 2.焊錫溫度:450°±10° 3SEC;
- 3.焊錫前拉力:1.5KG MIN,焊錫後拉力:1.5KG MIN;
- 4.強度任意一點1.8KgMin( 除特別指出A,B點1.3KgMin外)
- 5.WINDING SPACE: 6.9\*5.25mm=36.225mm<sup>2</sup>
- 6.pin彎折處需在同一水平面

DWG NO. CC3315-11P-THT-5.0-8E-12

| PART NO.           | MATERIAL (BOBBIN) | MATERIAL (TERMINAL) | TERMINAL (PLATING) | PIN ALLOCATION                  | NOTE |
|--------------------|-------------------|---------------------|--------------------|---------------------------------|------|
| TBI-239-04581.1206 | PM-9820           | CP WIRE             | Sn                 | ALL PIN (A)=5.6±0.3 (B)=3.6±0.3 | S    |
| TBI-239-04581.1216 | PM-9820           | CP WIRE             | Sn                 | ALL PIN (A)=7.0±0.3 (B)=5.0±0.3 | H    |

TOLERANCE: 0<L<=4:±0.1 4<L<=16:±0.2 16<L<=63:±0.3

UNIT : m / m

SCALE 1 : 1

Finish: 1. PB wire Immersion Sn on terminal : Thickness:Sn plating,100,5 μm (200 μ inches) min,Base nickel 0.625 μm (25 μ inches) min.  
2. CP wire Immersion Sn on terminal : Thickness:Sn plating,100,5 μm (200 μ inches) min.  
3. Coplanarity deviation: 0.10 mm (0.004 inches) max.

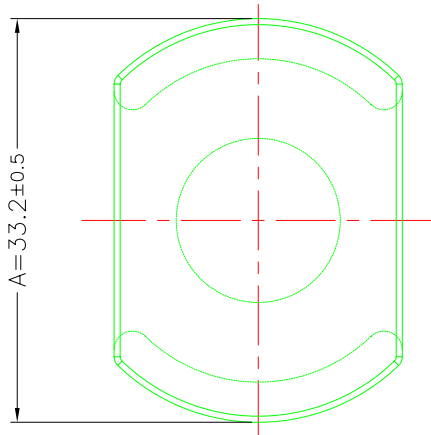
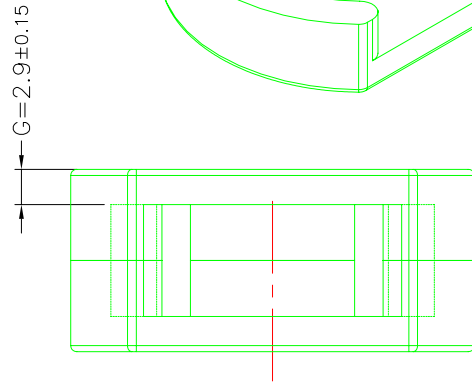
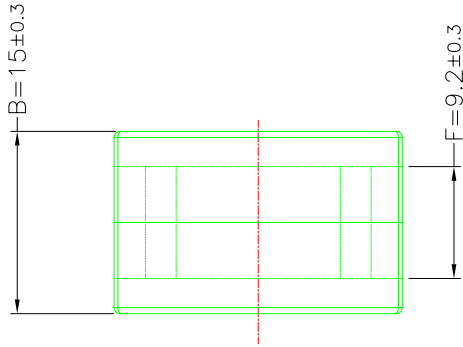
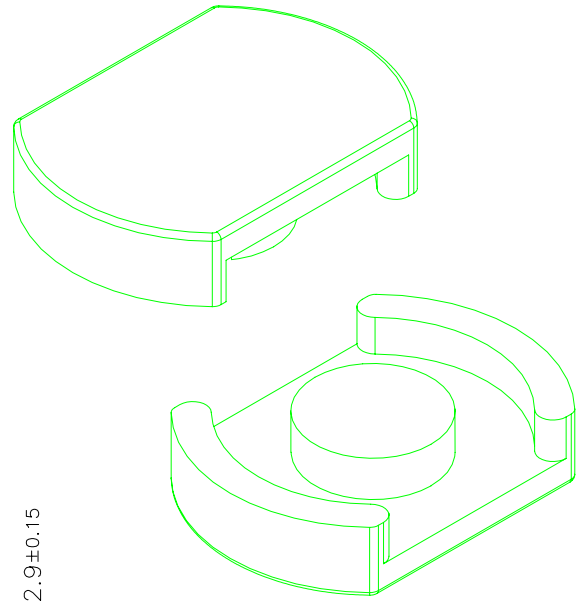
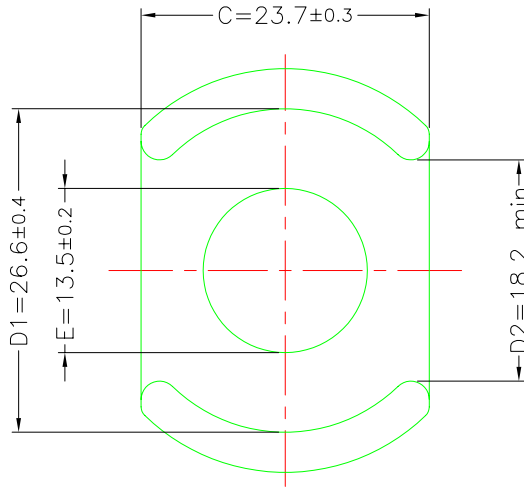
REV 1

# A-CORE

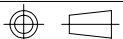
ELECTRICAL CO.

A-CORE JIANGMEN ELECTRONICS CO.,LTD  
 江門安磁電子有限公司  
 Tel: 86-750-3867791 Fax : 86-750-3867787

| REVISIONS |     |          |         |          |
|-----------|-----|----------|---------|----------|
| REV       | SYM | DRAFTER  | CHECKER | DATE     |
| ①         |     | G.F.YANG | W.H.HSU | 07/08/14 |
| ②         |     |          |         |          |
| ③         |     |          |         |          |



|          |                 |                     |                    |                |      |
|----------|-----------------|---------------------|--------------------|----------------|------|
| DWG NO.  | CC33/15-CORE    |                     |                    |                |      |
| PART NO. | MATERIAL (CORE) | MATERIAL (TERMINAL) | TERMINAL (PLATING) | PIN ALLOCATION | NOTE |
| CC33/15  | JPP-44A         |                     |                    |                |      |
| CC33/15  | JPP-95          |                     |                    |                |      |
|          |                 |                     |                    |                |      |
|          |                 |                     |                    |                |      |
|          |                 |                     |                    |                |      |
|          |                 |                     |                    |                |      |
|          |                 |                     |                    |                |      |
|          |                 |                     |                    |                |      |



TOLERANCE:  $0 < L \leq 4: \pm 0.1$   $4 < L \leq 16: \pm 0.2$   $16 < L \leq 63: \pm 0.3$

UNIT : m / m

SCALE 1 : 1

Finish:

REV 1

**A-CORE**

A-CORE JIANGMEN ELECTRONICS CO.,LTD  
 江门安磁电子有限公司

**TBI**

TRANSFORMER BOBBIN  
 INDUSTRIAL CO.,LTD.

ELECTRICAL CO. Tel : 86-750-3867791 Fax : 86-750-3867787

Tel : 86-769-88789999 Fax : 86-769-88789989

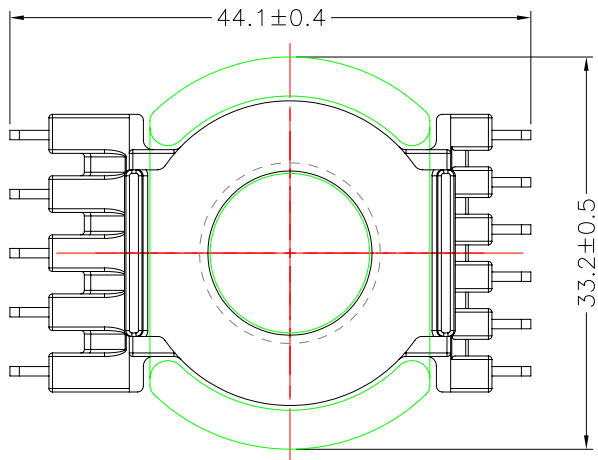
e-mail : sales@acore-ferrite.com

http:// tbi-tw.com e-mail : tb6688@ms46.hinet.net

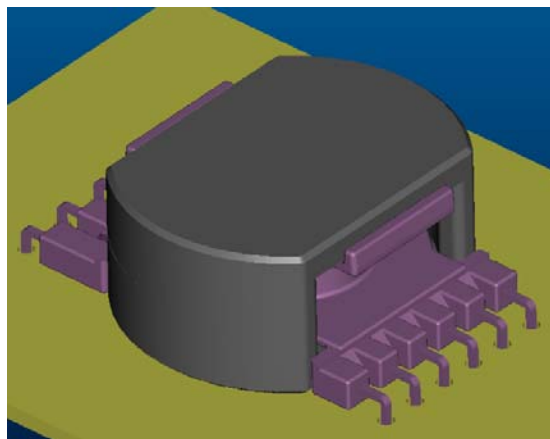
REVISIONS

| REV | SYM | DRAFTER | CHECKER  | DATE     |
|-----|-----|---------|----------|----------|
| △1  |     | X.H.GU  | G.F.YANG | 09/03/14 |
| △2  |     |         |          |          |
| △3  |     |         |          |          |

TOP



TOP



A

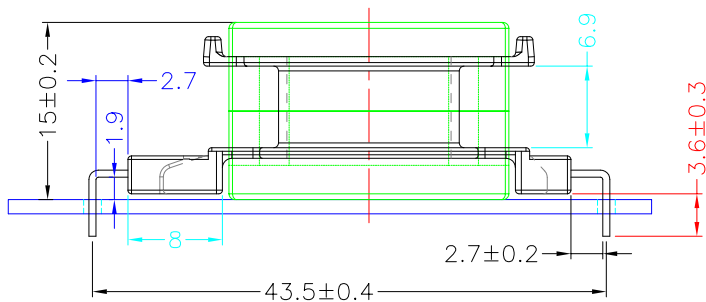
A

B

B

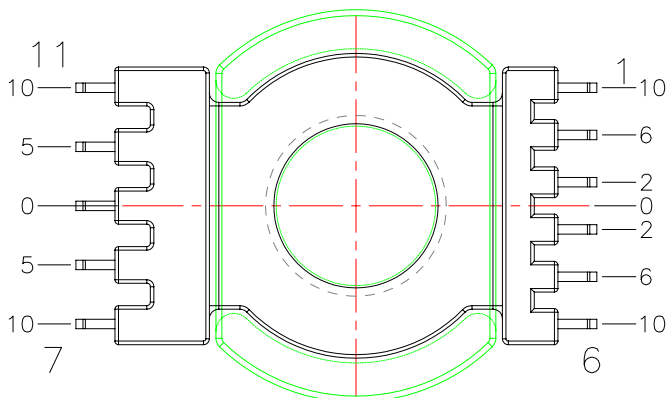
C

C

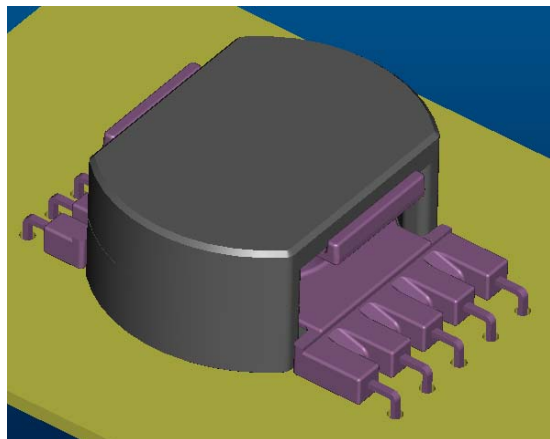


D

D



BOTTOM



E

E

| ITEM   | PART NO.           | MATERIAL | DWG NO.                  | Core Set Parameters   |
|--------|--------------------|----------|--------------------------|---|
| CORE   | CC33/15            | JPP-44A  |                          | $A_e = 148 \text{mm}^2$<br>$L_e = ? \text{mm}$<br>$C_1 = ? \text{mm}^{-1}$<br>$V_e = ? \text{mm}^3$ |
| CORE   | CC33/15            | JPP-95   |                          |   |
| BOBBIN | TBI-239-04581.12XX |          | CC3315-11P-THT-5.0-8E-12 |   |
|        |                    |          |                          |   |
|        |                    |          | UNIT : m / m             | SCALE 1 : 1   |

F

F

REV 1