

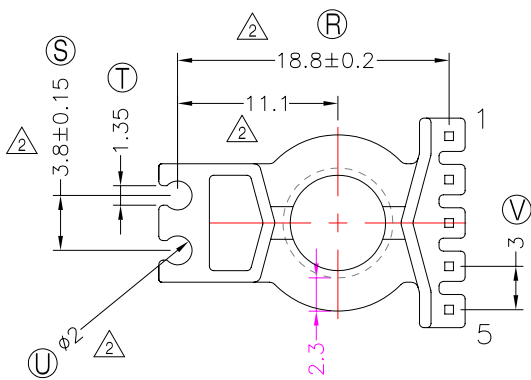
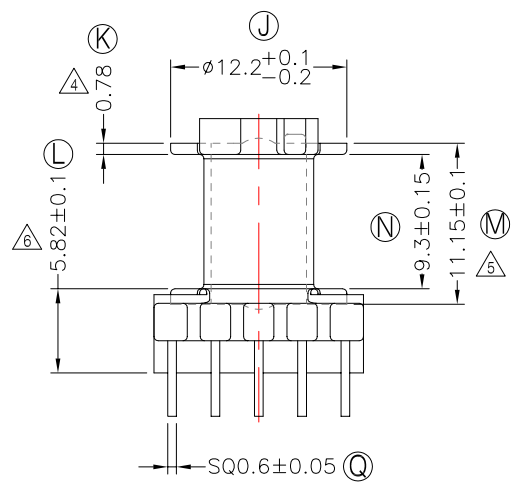
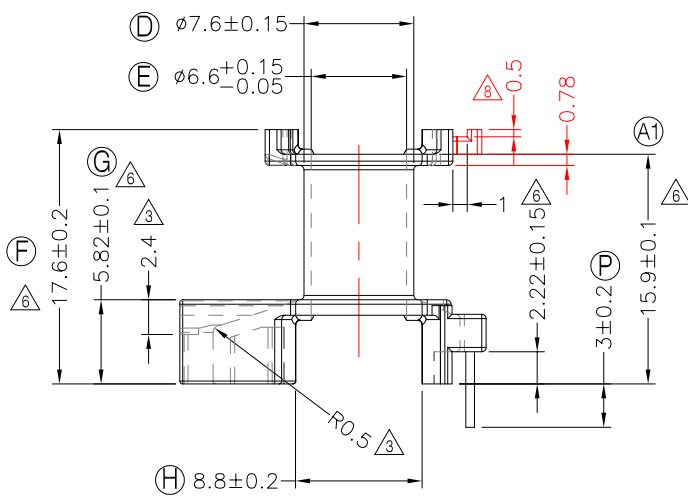
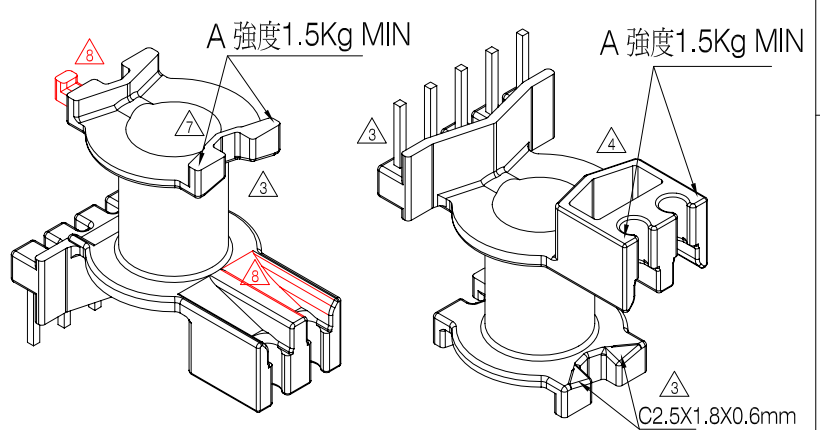
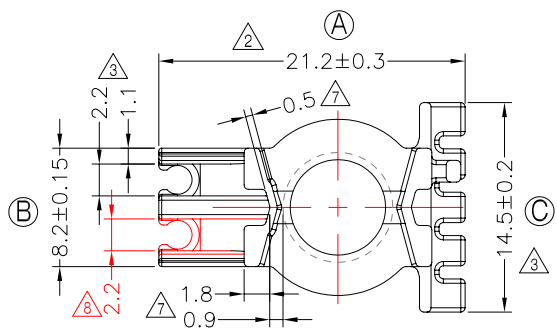


**TRANSFORMER BOBBIN
INDUSTRIAL CO.,LTD.**

Tel : 86-769-88789999 Fax : 86-769-88789989
http:// tbi-tw.com e-mail : tb6688@ms46.hinet.net

REVISIONS

REV	SYM	DRAFTER	CHECKER	DATE
△6		G.F.YANG	W.H.HSU	06/04/15
△7		X.H.GU	G.F.YANG	06/17/15
△8		G.F.YANG	W.H.HSU	07/08/15



NOTE:

- 1.耐壓4.0Kv /1.5mA 60S;
- 2.焊錫溫度:450°±10° 3SEC;
- 3.任意一點強度須1.8kg MIN;(除以下測試點.A.處為1.5kg MIN).
- 4.焊錫前拉力:1.0KG MIN,焊錫後拉力:1.5KG MIN;
- 5.WINDING SPACE: 9.3mm*2.3mm=21.39mm²

DWG NO. RM6-15.8G-5P-TH-A7-11

PART NO.	MATERIAL (BOBBIN)	MATERIAL (TERMINAL)	TERMINAL (PLATING)	PIN ALLOCATION	NOTE
TBI-208-02171.1106	PM-9630	CP WIRE	Sn	ALL PIN	S
TBI-208-02171.1116	PM-9630	CP WIRE	Sn	CUT PIN#3	H
TBI-208-02171.1126	PM-9630	CP WIRE	Sn	CUT PIN#4	

TOLERANCE: 0<L<=4:±0.1 4<L<=16:±0.2 16<L<=63:±0.3 UNIT : m / m SCALE 1 : 1

Finish: 1. PB wire Immersion Sn on terminal : Thickness:Sn plating,100%,5 μm (200 μ inches) min,Base nickel 0.625 μm (25 μ inches) min.
2. CP wire Immersion Sn on terminal : Thickness:Sn plating,100%,5 μm (200 μ inches) min.
3. Coplanarity deviation: 0.10 mm (0.004 inches) max.

REV 8