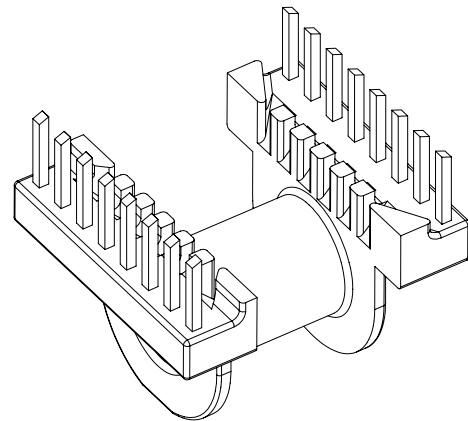
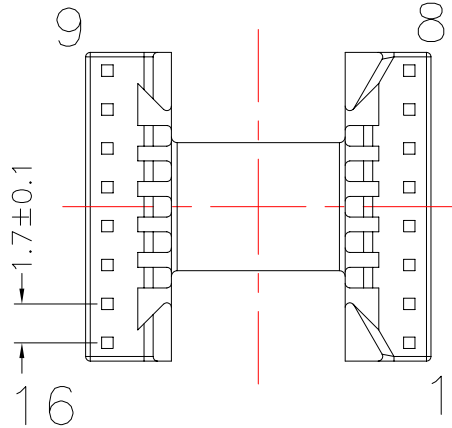
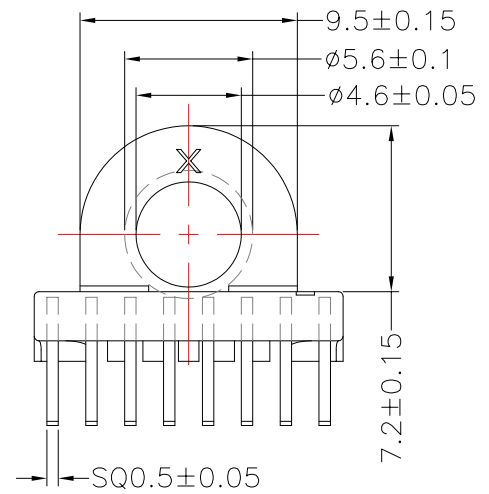
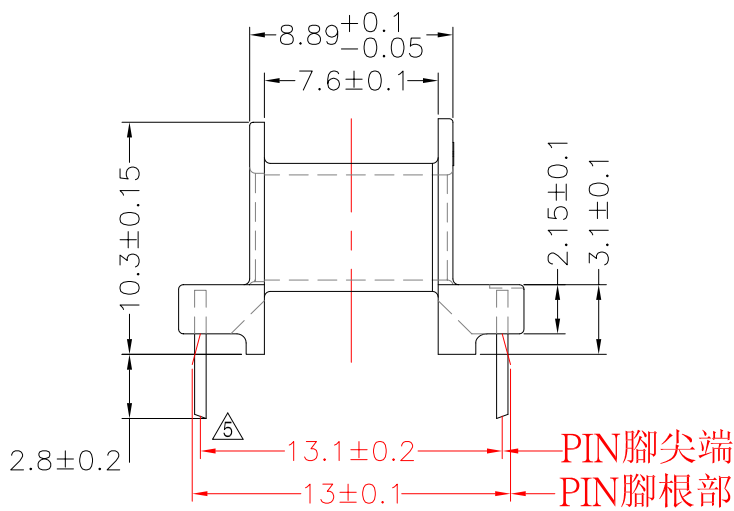
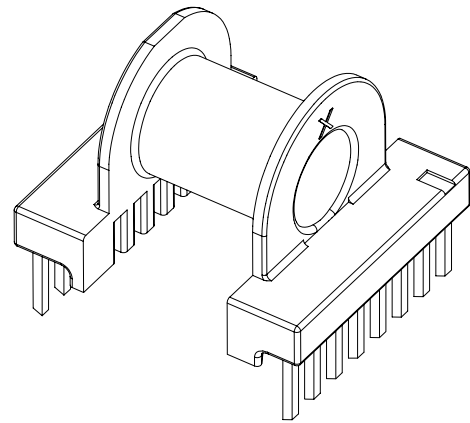
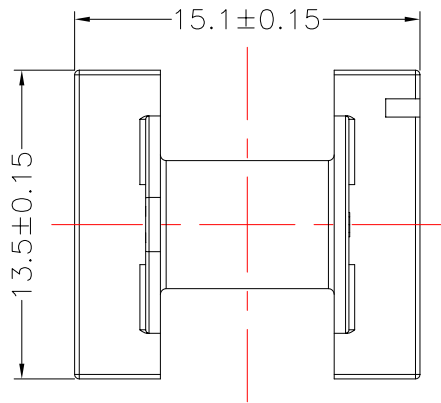




TRANSFORMER BOBBIN
INDUSTRIAL CO.,LTD.

Tel : 86-769-88789999 Fax : 86-769-88789989
http:// tbi-tw.com e-mail : tb6688@ms46.hinet.net

REVISIONS				
REV	SYM	DRAFTER	CHECKER	DATE
△4		T.S.LII	W.H.HSU	09/01/04
△5		T.S.LII	W.H.HSU	09/24/04
△6		T.S.LII	W.H.HSU	07/24/06



DWG NO.	EP13-16P-TH-1.7-E-1				
PART NO.	MATERIAL (BOBBIN)	MATERIAL (TERMINAL)	TERMINAL (PLATING)	PIN ALLOCATION	NOTE
TBI-203-03051.103	PM-9630	PB	Sn	ALL PIN	
TBI-203-03051.113	PM-9630	PB	Sn	CUT PIN #10,12,13,15	
△ TBI-203-03051.116	PM-9630	CP WIRE	Sn	CUT PIN #10,12,13,15	
TBI-203-03051.123	PM-9630	PB	Sn	CUT PIN #3,4,5,6,11,12,13,14	
TBI-203-03051.133	PM-9630	PB	Sn	CUT PIN #2,3,4,5,10,12,13,14,15	
	TOLERANCE: .X±0.15 .XX±0.10 .XXX±0.05			UNIT : m / m	SCALE 3 : 1
Finish:	1. PB wire Immersion Sn on terminal : Thickness:Sn plating,100,5 μm (200 μ inches) min,Base nickel 0.625 μm (25 μ inches) min. 2. CP wire Immersion Sn on terminal : Thickness:Sn plating,100,5 μm (200 μ inches) min. 3. Coplanarity deviation: 0.10 mm (0.004 inches) max.				REV 6