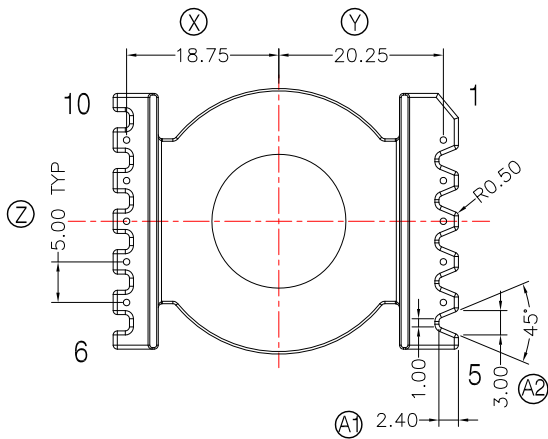
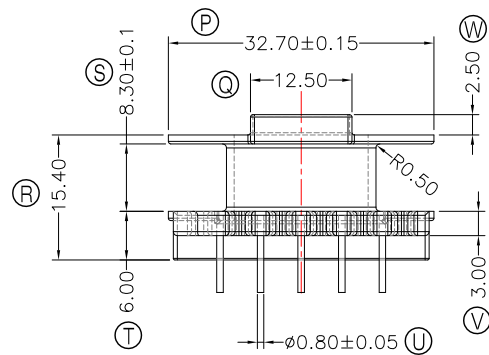
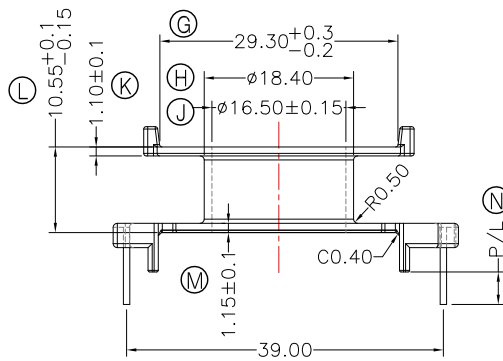
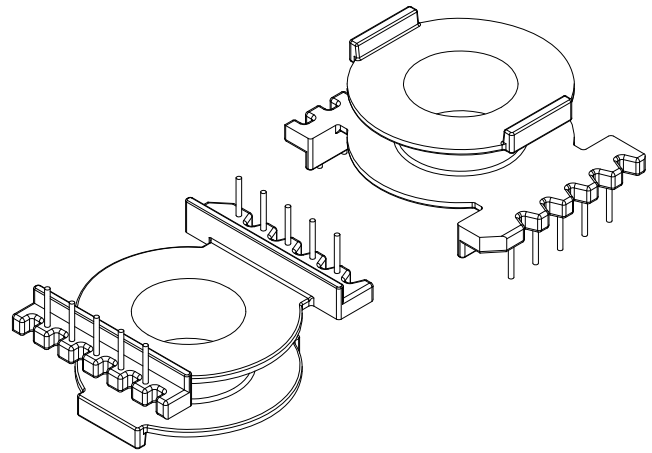
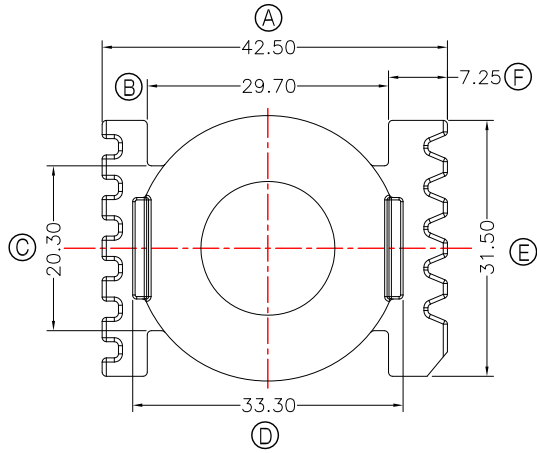




**TRANSFORMER BOBBIN
INDUSTRIAL CO.,LTD.**

Tel : 86-769-88789999 Fax : 86-769-88789989
http:// tbi-tw.com e-mail : tb6688@ms46.hinet.net

REVISIONS				
REV	SYM	DRAFTER	CHECKER	DATE
1		X.H.GU	G.F.YANG	10/07/16
2				
3				



NOTE:

- 1.耐壓4.0Kv /1.5mA 60S;
- 2.焊錫溫度:450°±10° 3SEC;
- 3.任意一點強度須2.0kg MIN;
- 4.焊錫前拉力:1.5KG MIN;焊錫後拉力:2.0KG MIN

DWG NO.	CC4017A-10P-TH-5.0-B0-17						
PART NO.	MATERIAL (BOBBIN)	MATERIAL (TERMINAL)	TERMINAL (PLATING)	PIN ALLOCATION	NOTE		
TBI-239-01201.1706	PM-9823	CP WIRE	Sn	ALL PIN P/L=4.0±0.2			
TBI-239-01201.1716	PM-9823	CP WIRE	Sn	ALL PIN P/L=3.5±0.2	H		
TBI-239-01201.1726	PM-9823	CP WIRE	Sn	CUT PIN#3 P/L=3.5±0.2			
TBI-239-01201.1736	PM-9823	CP WIRE	Sn	CUT PIN#3,4,8 P/L=3.5±0.2			
TBI-239-01201.1746	PM-9823	CP WIRE	Sn	CUT PIN#2 P/L=3.5±0.2			
TBI-239-01201.1756	PM-9823	CP WIRE	Sn	CUT PIN#8 P/L=3.5±0.2			
TBI-239-01201.1766	PM-9823	CP WIRE	Sn	CUT PIN#10 P/L=3.5±0.2			
TBI-239-01201.1776	PM-9823	CP WIRE	Sn	CUT PIN#6 P/L=3.5±0.2			
TBI-239-01201.1786	PM-9823	CP WIRE	Sn	ALL PIN P/L=5.0±0.2			
TBI-239-01201.1796	PM-9823	CP WIRE	Sn	CUT PIN#8 P/L=5.0±0.2			
TOLERANCE: 0<L<=4:±0.1 4<L<=16:±0.2 16<L<=63:±0.3				UNIT : m / m	SCALE 1 : 1		
Finish: 1. PB wire Immersion Sn on terminal : Thickness:Sn plating,100,5 μm (200 μ inches) min,Base nickel 0.625 μm (25 μ inches) min. 2. CP wire Immersion Sn on terminal : Thickness:Sn plating,100,5 μm (200 μ inches) min. 3. Coplanarity deviation: 0.10 mm (0.004 inches) max.					<table border="1"> <tr> <td>REV</td> <td>1</td> </tr> </table>	REV	1
REV	1						