



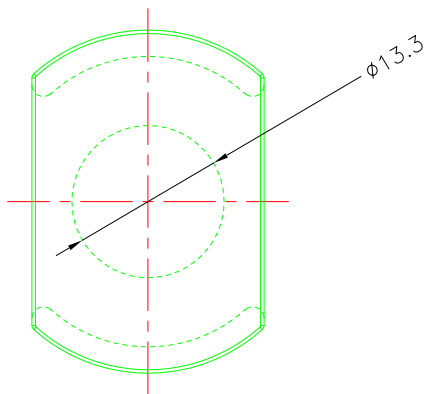
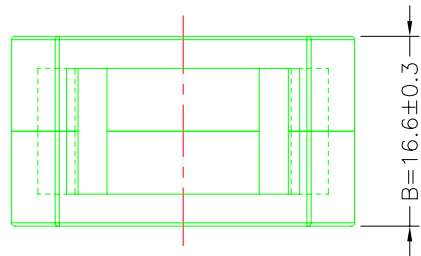
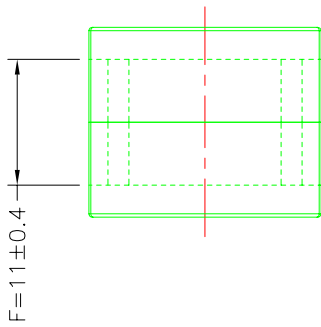
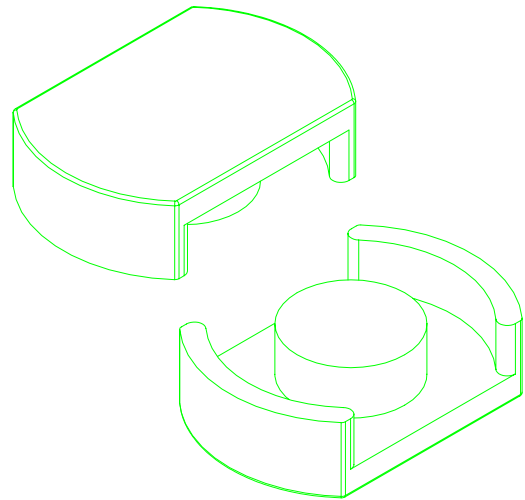
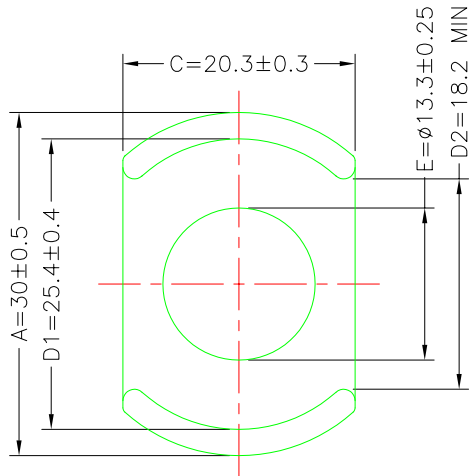


**A-CORE**  
ELECTRICAL CO.

A-CORE JIANGMEN ELECTRONICS CO.,LTD  
 江门安磁电子有限公司  
 Tel: 86-750-3867791 Fax : 86-750-3867787

REVISIONS

REV	SYM	DRAFTER	CHECKER	DATE
①		S.Y.TANG	G.F.YANG	10/16/08
②				
③				

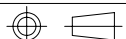


Cross section area

A1 (Limbs)	=100mm <sup>2</sup>
A2(Back wall)	=113.7mm <sup>2</sup>
A3(Center post)	=138.9mm <sup>2</sup>
Ae	=116.8mm <sup>2</sup>
Le	=43.6mm
C1	=0.373mm <sup>-1</sup>

DWG NO. CC30/16.6-CORE

PART NO.	MATERIAL (BOBBIN)	MATERIAL (TERMINAL)	TERMINAL (PLATING)	PIN ALLOCATION	NOTE
CC30/16.6	JPP-44A				
CC30/16.6	JPP-95				



Finish:

UNIT : m / m

SCALE 3 : 2

REV 1

**A-CORE**

A-CORE JIANGMEN ELECTRONICS CO.,LTD  
 江門安磁電子有限公司

**TBI**

TRANSFORMER BOBBIN  
 INDUSTRIAL CO.,LTD.

ELECTRICAL CO. Tel : 86-750-3867791 Fax : 86-750-3867787

Tel : 86-769-88789999 Fax : 86-769-88789989

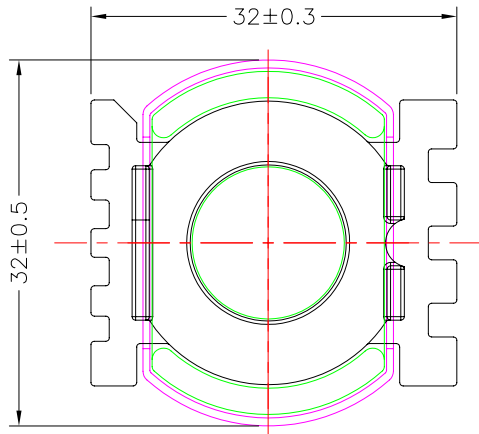
e-mail : sales@acore-ferrite.com

http:// tbi-tw.com e-mail : tb6688@ms46.hinet.net

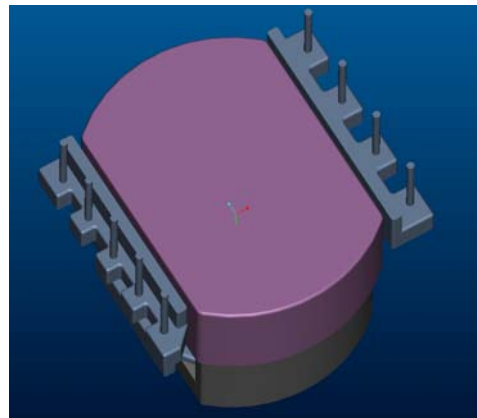
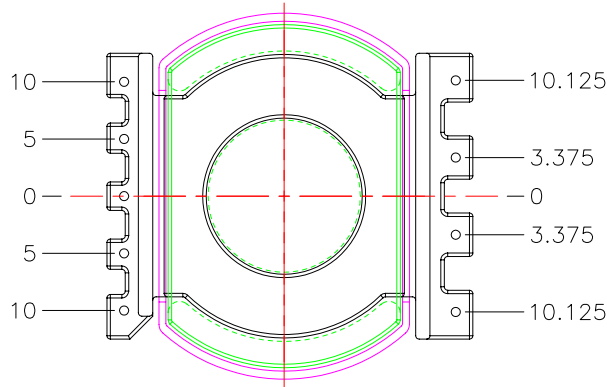
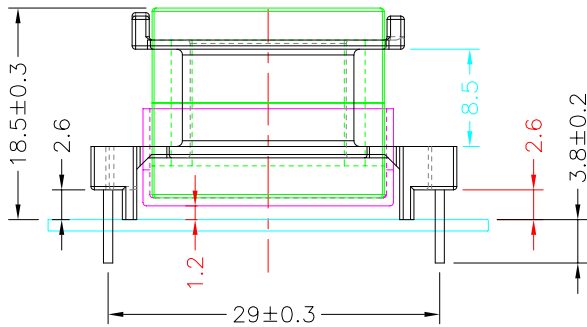
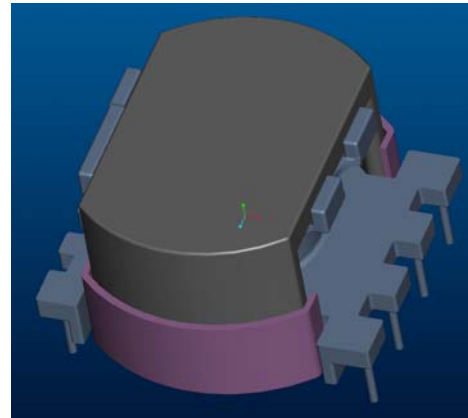
REVISIONS

REV	SYM	DRAFTER	CHECKER	DATE
△1		X.H.GU	G.F.YANG	05/23/17
△2				
△3				

TOP



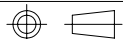
TOP



BOTTOM

BOTTOM

ITEM	PART NO.	MATERIAL	DWG NO.	Core Set Parameters
CORE	CC30-16.6	JPP-44A		Ae =116.8mm <sup>2</sup> Le =43.6mm C1 =0.373mm <sup>-1</sup> Ve =5092.48mm
CORE	CC30-16.6	JPP-95		
BOBBIN	TBI-239-02261.17XX		CC30-16.6-9P-TH-B6-17	
CASE	TBI-239-02021.91C		CC30-16.6-9P-CASE-B-91	



UNIT : m/m

SCALE 1 : 1

REV 1