

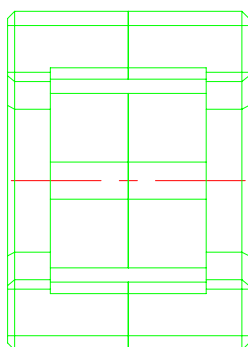
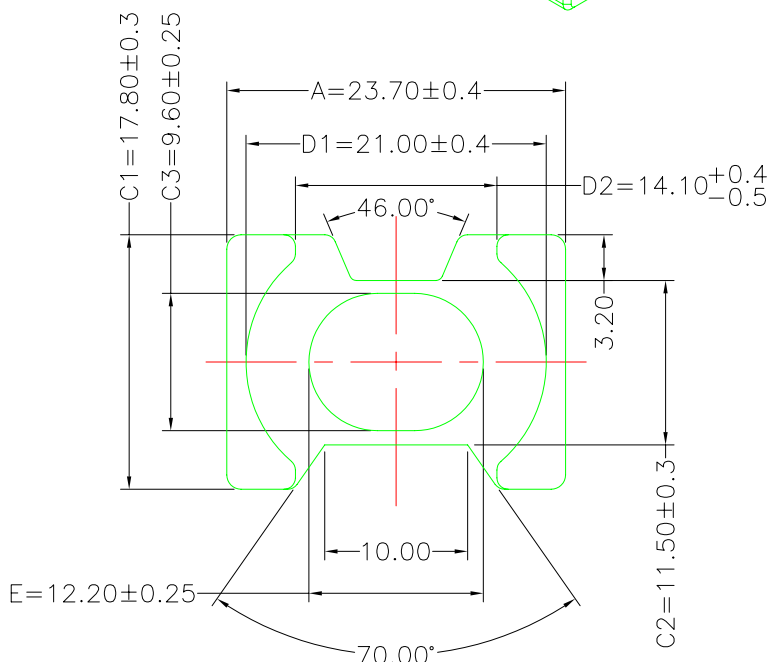
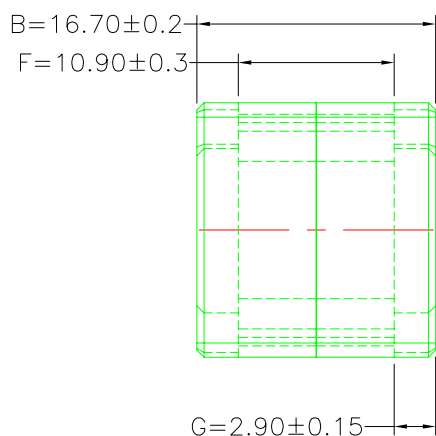
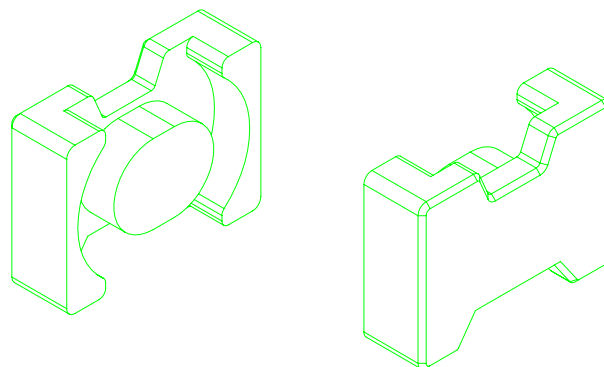
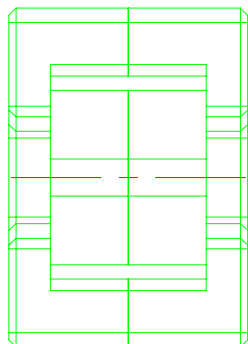




**A-CORE**  
ELECTRICAL CO.

A-CORE JIANGMEN ELECTRONICS CO.,LTD  
江門安磁電子有限公司  
Tel: 86-750-3867791 Fax : 86-750-3867787

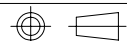
REVISIONS				
REV	SYM	DRAFTER	CHECKER	DATE
1		X.H.GU	G.F.YANG	09/04/14
2				
3				



### Core Set Parameters

$A_e = 100 \text{mm}^2$   
 $L_e = 42.9 \text{mm}$   
 $C1 = 0.429 \text{mm}^{-1}$   
 $V_e = 4290 \text{mm}^3$

DWG NO.	ATQ23.7/16.7A CORE				
PART NO.	MATERIAL (BOBBIN)	MATERIAL (TERMINAL)	TERMINAL (PLATING)	PIN ALLOCATION	NOTE
ATQ23.7/16.7A	JPP-44A				
ATQ23.7/16.7A	JPP-95				



TOLERANCE:  $0 < L \leq 4: \pm 0.1$   $4 < L \leq 16: \pm 0.2$   $16 < L \leq 63: \pm 0.3$

UNIT : m / m

SCALE 1 : 1

REV 1

**A-CORE**

A-CORE JIANGMEN ELECTRONICS CO.,LTD  
 江門安磁電子有限公司

**TBI**

TRANSFORMER BOBBIN  
 INDUSTRIAL CO.,LTD.

ELECTRICAL CO. Tel : 86-750-3867791 Fax : 86-750-3867787

Tel : 86-769-88789999 Fax : 86-769-88789989

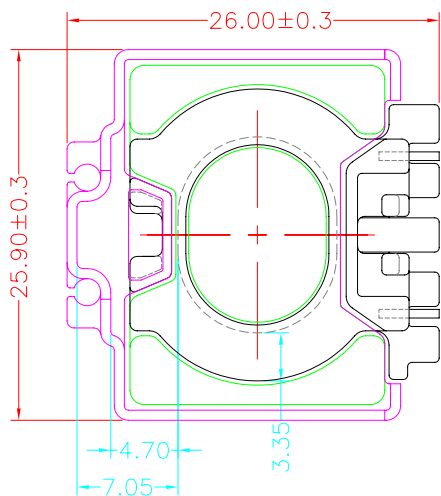
e-mail : sales@acore-ferrite.com

http:// tbi-tw.com e-mail : tb6688@ms46.hinet.net

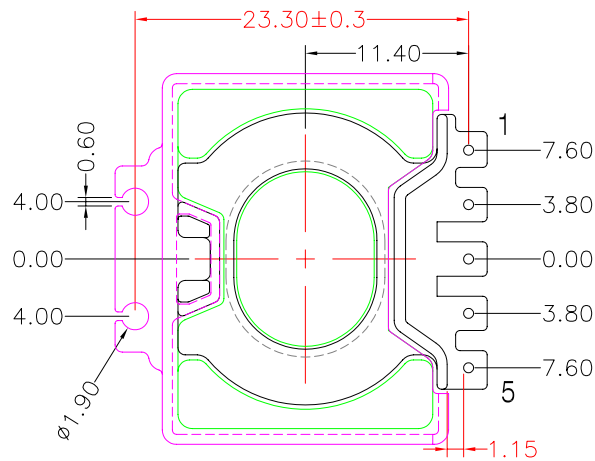
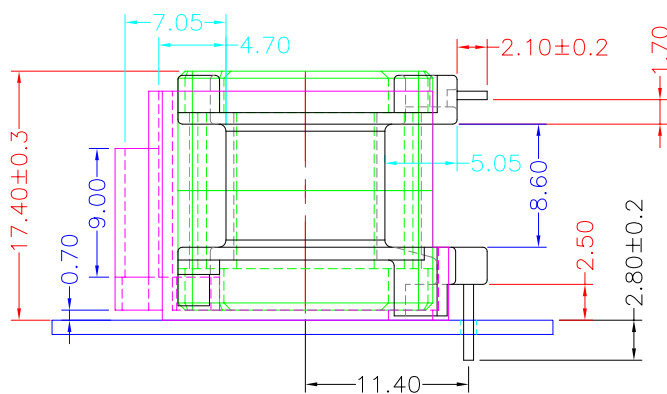
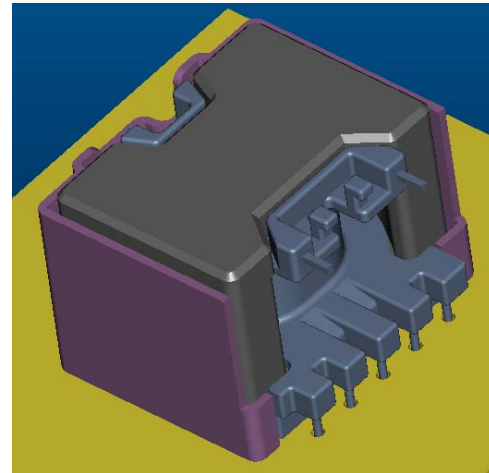
REVISIONS

REV	SYM	DRAFTER	CHECKER	DATE
△1		X.H.GU	G.F.YANG	06/23/15
△2				
△3				

TOP

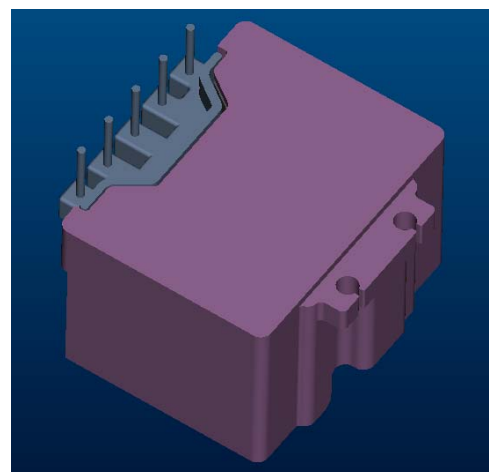


TOP

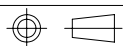


BOTTOM

BOTTOM



ITEM	PART NO.	MATERIAL	DWG NO.	Core Set Parameters
CORE	ATQ23.7/16.7A	JPP-44A		Ae=100mm <sup>2</sup> Le=42.9mm C1=0.429mm <sup>-1</sup> Ve=4290mm <sup>3</sup>
CORE	ATQ23.7/16.7A	JPP-95		
BOBBIN	TBI-238-10411.11XX		ATQ23.7-16.7A-7P-TH-D1-11	
CASE	TBI-238-10411.11C		ATQ23.7-16.7A-CASE-D1-11	



UNIT : m/m

SCALE 1:1

REV 1