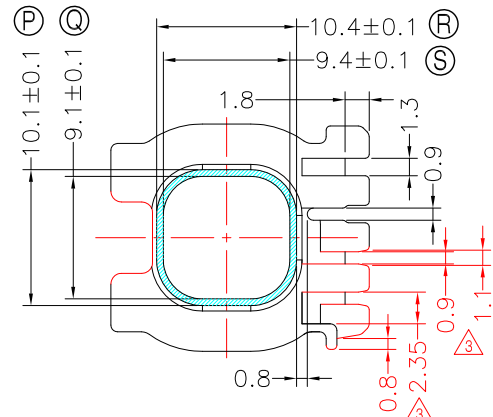
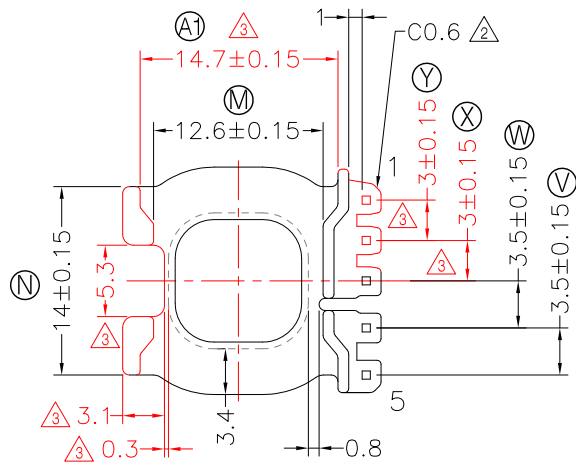
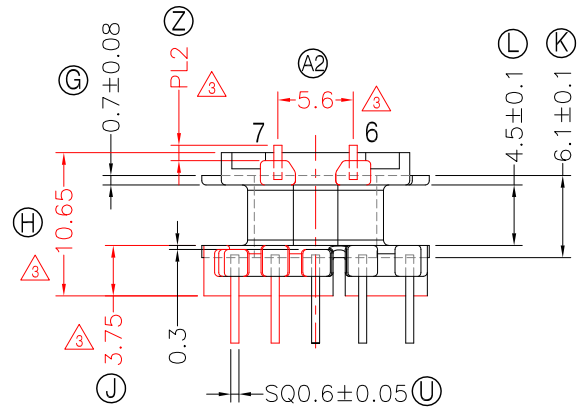
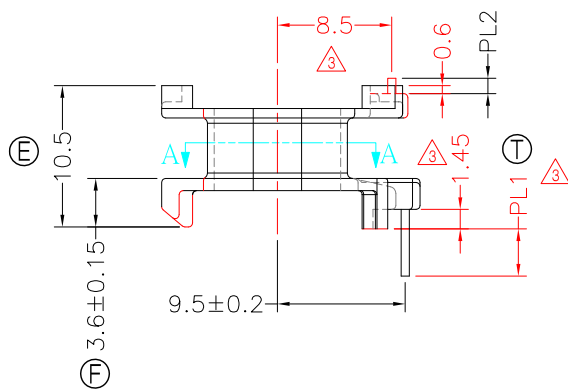
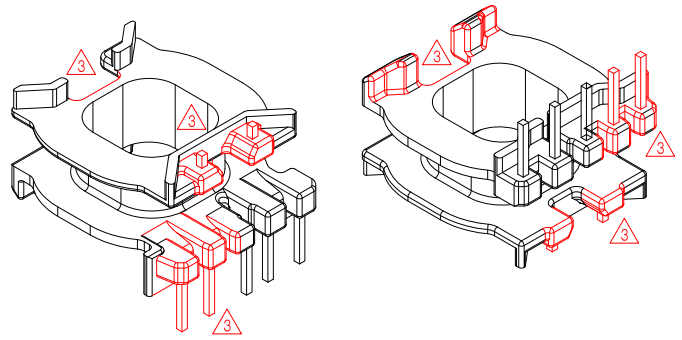
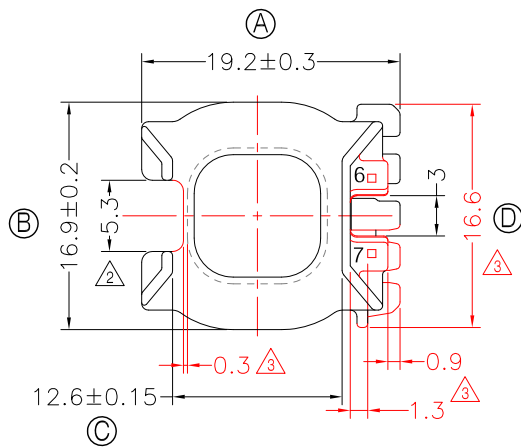




TRANSFORMER BOBBIN
INDUSTRIAL CO.,LTD.

Tel : 86-769-88789999 Fax : 86-769-88789989
http:// tbi-tw.com e-mail : tb6688@ms46.hinet.net

REVISIONS				
REV	SYM	DRAFTER	CHECKER	DATE
①		X.H.GU	G.F.YANG	09/04/14
②		X.H.GU	G.F.YANG	10/13/14
③		X.H.GU	G.F.YANG	12/19/14



WINDING SPACE: 4.5mm*3.4mm=15.3mm²

SECTION A-A

DWG NO.	ATQ22-11.8-7P-TH-A5-11 ③				
PART NO.	MATERIAL (BOBBIN)	MATERIAL (TERMINAL)	TERMINAL (PLATING)	PIN ALLOCATION	
TBI-238-43151.1106	PM-9630	CP WIRE	Sn	CUT PIN #3 PL1=3.5±0.2 PL2=1.15±0.2 ③ S	
TBI-238-43151.1116	PM-9630	CP WIRE	Sn	CUT PIN #3 PL1=2.4±0.2 PL2=1.15±0.2 H	
TBI-238-43151.1126	PM-9630	CP WIRE	Sn	ALL PIN PL1=3.2±0.2 PL2=1.15±0.2	
TBI-238-43151.1136	PM-9630	CP WIRE	Sn	ALL PIN PL1=3.5±0.15 PL2=1.15±0.2	
TBI-238-43151.1146	PM-9630	CP WIRE	Sn	CUT PIN #6,7 PL1=3.2±0.2 PL2=1.15±0.2	
TBI-238-43151.1156	PM-9630	CP WIRE	Sn	CUT PIN #4 PL1=3.2±0.2 PL2=1.15±0.2	
TBI-238-43151.1166	PM-9630	CP WIRE	Sn	CUT PIN #3 PL1=3.2±0.2 PL2=1.15±0.2	
TBI-238-43151.1176	PM-9630	CP WIRE	Sn	CUT PIN #4,5,6 PL1=4.0±0.2 PL2=4.6±0.2	
TBI-238-43151.1186	PM-9630	CP WIRE	Sn	CUT PIN #6,7 PL1=4.0±0.2 PL2=1.15±0.2	
		TOLERANCE: 0<L<=4:±0.1 4<L<=16:±0.2 16<L<=63:±0.3		UNIT : m/m	SCALE 1 : 1

Finish: 1. PB wire Immersion Sn on terminal : Thickness:Sn plating,100%,5 μm (200 μ inches) min,Base nickel 0.625 μm (25 μ inches) min.
2. CP wire Immersion Sn on terminal : Thickness:Sn plating,100%,5 μm (200 μ inches) min.
3. Coplanarity deviation: 0.10 mm (0.004 inches) max.

REV 3