

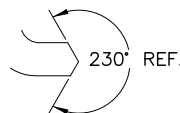
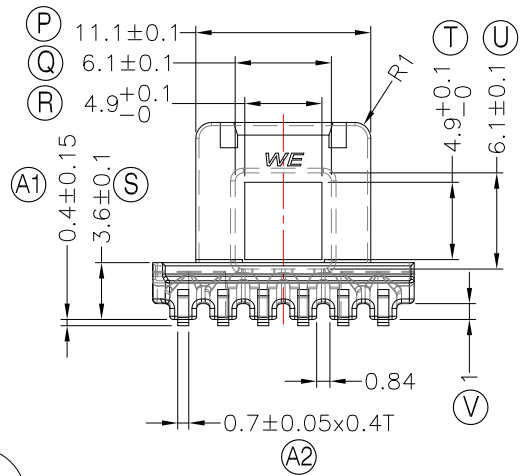
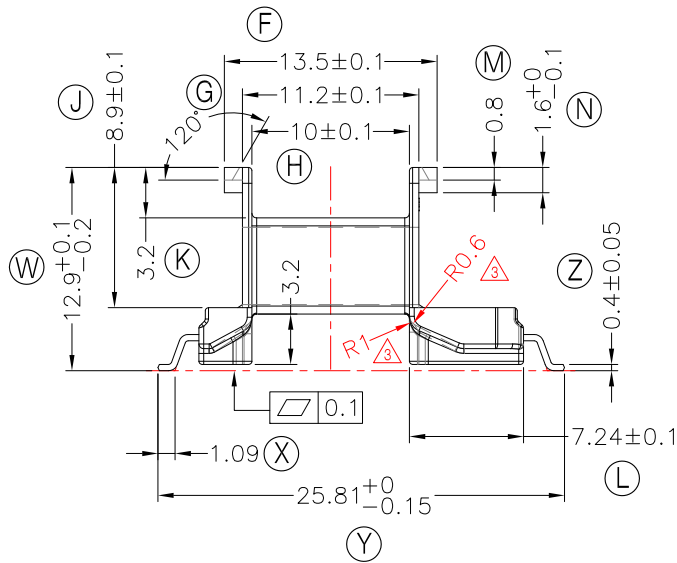
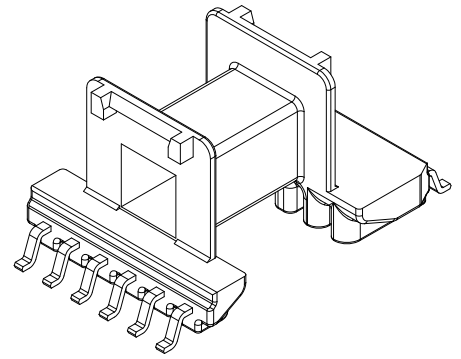
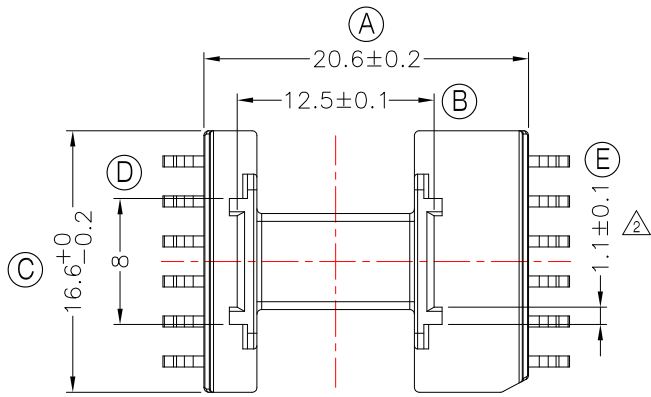


**TRANSFORMER BOBBIN
INDUSTRIAL CO.,LTD.**

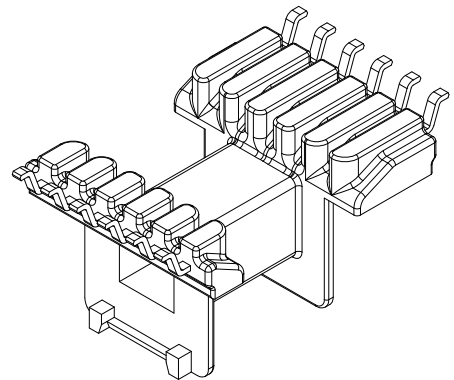
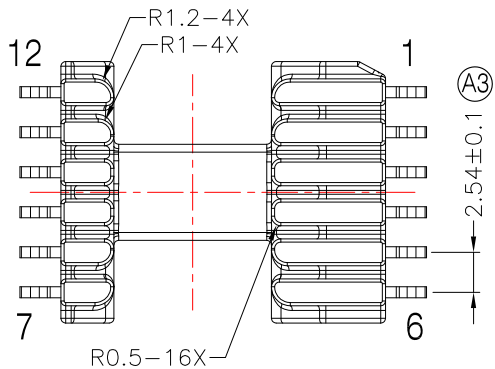
Tel : 86-769-88789999 Fax : 86-769-88789999
http:// tbi-tw.com e-mail : tb6688@ms46.hinet.net

REVISIONS

REV	SYM	DRAFTER	CHECKER	DATE
1		YAN.TANG	G.F.YANG	05/22/10
2		F.LU	G.F.YANG	12/29/15
3		X.H.GU	G.F.YANG	08/22/19

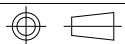


DETAIL:A
PATENTED



DWG NO. EF16-12P-GW-2.54-1C-11

PART NO.	MATERIAL (BOBBIN)	MATERIAL (TERMINAL)	TERMINAL (PLATING)	PIN ALLOCATION	NOTE
TBI-105-02131.1103	PM-9630	PB	Sn	ALL PIN	S.C
TBI-105-02131.1113	PM-9630	PB	Sn	CUT PIN#10	H.C



TOLERANCE: ±0.1

UNIT : m/m

SCALE 1 : 1

Finish: 1. PB wire Immersion Sn on terminal : Thickness:Sn plating,100,5 μm (200 μ inches) min,Base nickel 1-2 μm (40-80 μ inches) min.
2. CP wire Immersion Sn on terminal : Thickness:Sn plating,100,5 μm (200 μ inches) min.
3. Coplanarity deviation: 0.10 mm (0.004 inches) max.

REV 3