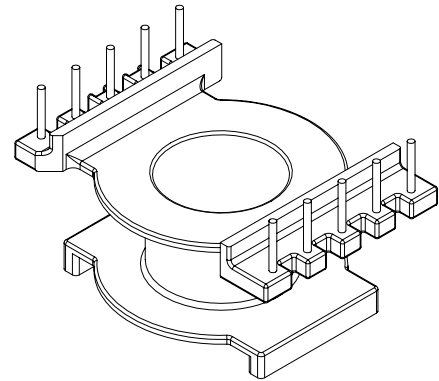
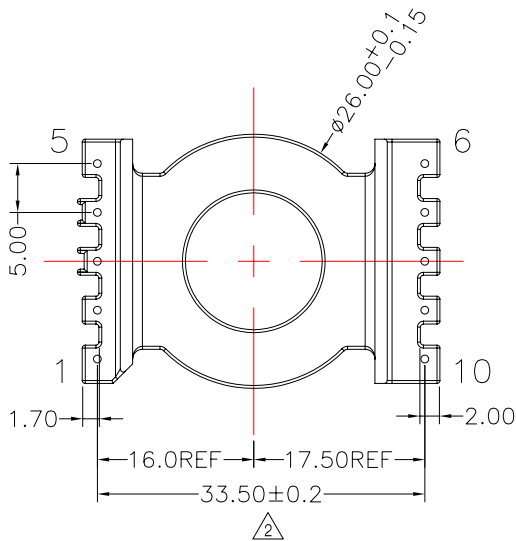
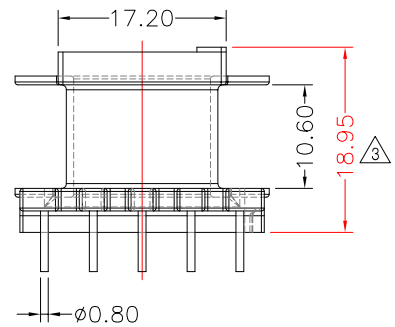
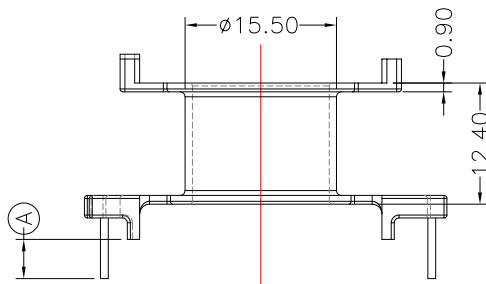
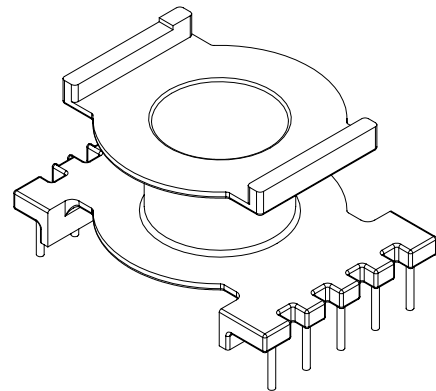
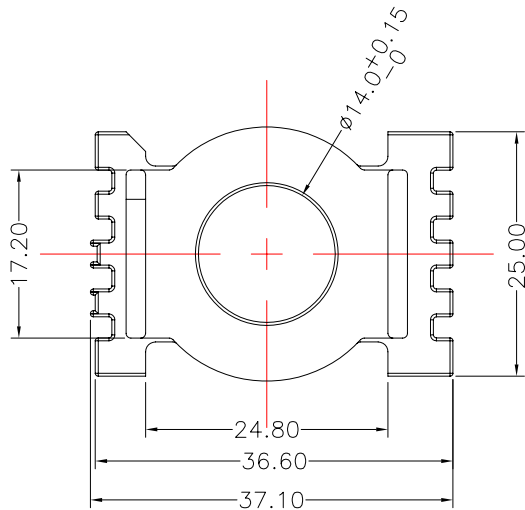




**TRANSFORMER BOBBIN INDUSTRIAL CO.,LTD.**

Tel : 86-769-88789999 Fax : 86-769-88789989  
 http:// tbi-tw.com e-mail : tb6688@ms46.hinet.net

REVISIONS				
REV	SYM	DRAFTER	CHECKER	DATE
1		JIE.L	G.F.YANG	11/03/09
2		YAN.TANG	G.F.YANG	12/16/09
3		YAN.TANG	G.F.YANG	01/05/10



- NOTE:
1. WINDING SPACE: 5.25mm\*10.6mm=55.65 mm<sup>2</sup>
  2. PIN TENSION LOAD: 1.5KG MIN

DWG NO.	CC3319-10P-TH-5.0-C-11				
PART NO.	MATERIAL (BOBBIN)	MATERIAL (TERMINAL)	TERMINAL (PLATING)	PIN ALLOCATION	NOTE
TBI-239-04031.1106	PM-9630	CP WIRE	Sn	ALL PIN (A)=4.0±0.3	
TBI-239-04031.1116	PM-9630	CP WIRE	Sn	CUT PIN #8 (A)=4.0±0.3	
TBI-239-04031.1126	PM-9630	CP WIRE	Sn	CUT PIN #6 (A)=3.5±0.3	
TBI-239-04031.1136	PM-9630	CP WIRE	Sn	CUT PIN #8 (A)=5.5±0.2	
TBI-239-04031.1146	PM-9630	CP WIRE	Sn	CUT PIN #8 (A)=3.2±0.2	
	TOLERANCE: 0<L<=4:±0.1 4<L<=16:±0.2 16<L<=63:±0.3			UNIT : m / m	SCALE 1 : 1

Finish: 1. PB wire Immersion Sn on terminal : Thickness:Sn plating,100,5 μm (200 μ inches) min,Base nickel 0.625 μm (25 μ inches) min.  
 2. CP wire Immersion Sn on terminal : Thickness:Sn plating,100,5 μm (200 μ inches) min.  
 3. Coplanarity deviation: 0.10 mm (0.004 inches) max.

REV 3



**A-CORE**

A-CORE JIANGMEN ELECTRONICS CO.,LTD  
 江門安磁電子有限公司

**TBI**

TRANSFORMER BOBBIN  
 INDUSTRIAL CO.,LTD.

ELECTRICAL CO. Tel : 86-750-3867791 Fax : 86-750-3867787

Tel : 86-769-88789999 Fax : 86-769-88789989

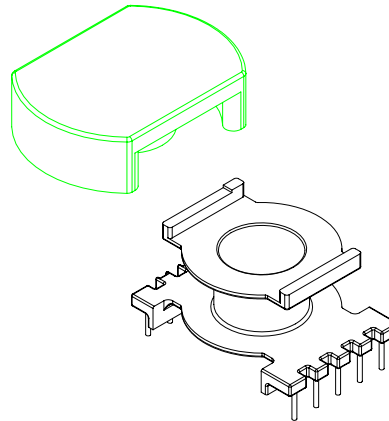
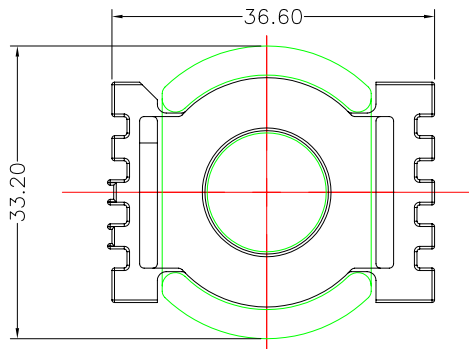
e-mail : sales@acore-ferrite.com

http:// tbi-tw.com e-mail : tb6688@ms46.hinet.net

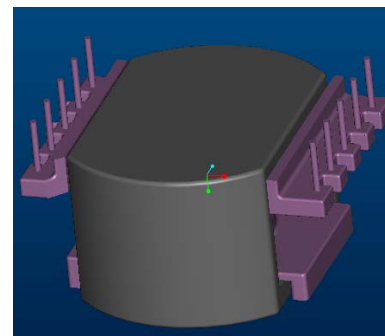
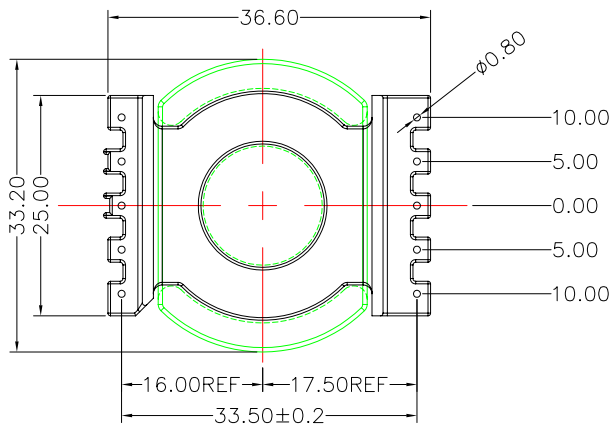
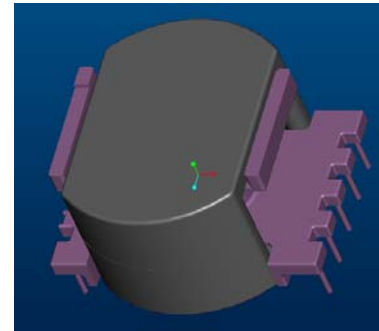
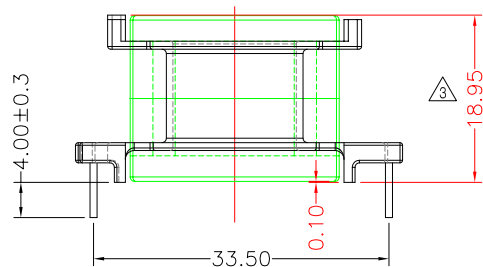
REVISIONS

REV	SYM	DRAFTER	CHECKER	DATE
1		JIE.L	G.F.YANG	11/03/09
2		YAN.TANG	G.F.YANG	12/16/09
3		YAN.TANG	G.F.YANG	01/05/10

TOP



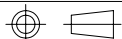
TOP



BOTTOM

BOTTOM

ITEM	PART NO.	MATERIAL	DWG NO.	Core Set Parameters
CORE	CC33/19	JPP-44A		$A_e=147.4\text{mm}^2$ $L_e=51.4\text{mm}$ $C_1=0.35\text{mm}^{-1}$
CORE	CC33/19	JPP-95		
BOBBIN	TBI-239-04031.11XX		CC3319-10P-TH-5.0-C-11	



UNIT : m / m

SCALE 1 : 1

REV 3