

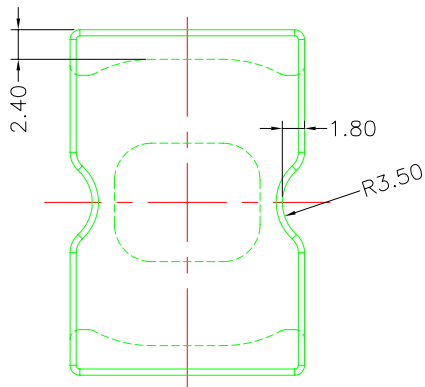
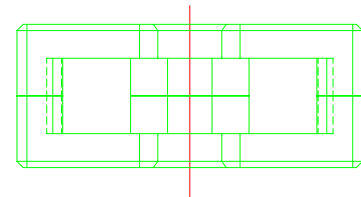
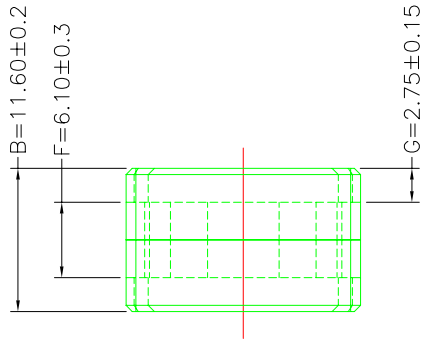
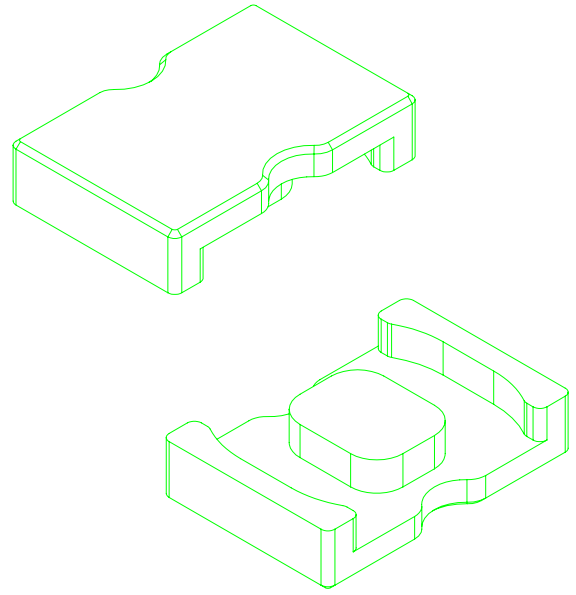
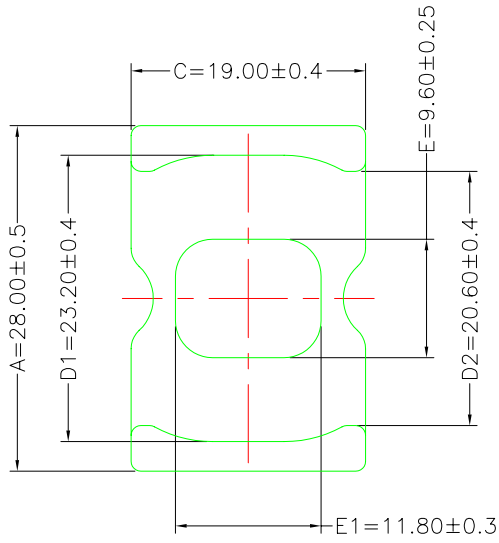


# A-CORE

ELECTRICAL CO.

A-CORE JIANGMEN ELECTRONICS CO.,LTD  
 江門安磁電子有限公司  
 Tel : 86-750-3867791 Fax : 86-750-3867787

REVISIONS				
REV	SYM	DRAFTER	CHECKER	DATE
1		X.H.GU	G.F.YANG	06/19/10
2				
3				



$A_e = 105.4 \text{ mm}^2$   
 $L_e = 35.5 \text{ mm}$   
 $C_1 = 0.337 \text{ mm}^{-1}$   
 $V_e = 3741.7 \text{ mm}^3$

DWG NO.	ATQ28/11.6E- CORE				
PART NO.	MATERIAL (BOBBIN)	MATERIAL (TERMINAL)	TERMINAL (PLATING)	PIN ALLOCATION	NOTE
ATQ28/11.6E	JPP-44A				
ATQ28/11.6E	JPP-95				
Finish:	TOLERANCE: 0<L<=4:±0.1 4<L<=16:±0.2 16<L<=63:±0.3			UNIT : m/m	SCALE 1:1
				REV	1

**A-CORE**

A-CORE JIANGMEN ELECTRONICS CO.,LTD  
江門安磁電子有限公司

**TBI**

TRANSFORMER BOBBIN  
INDUSTRIAL CO.,LTD.

ELECTRICAL CO. Tel : 86-750-3867791 Fax : 86-750-3867787

Tel : 86-769-88789999 Fax : 86-769-88789989

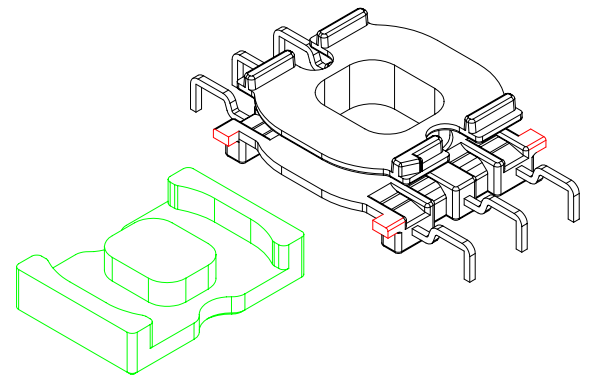
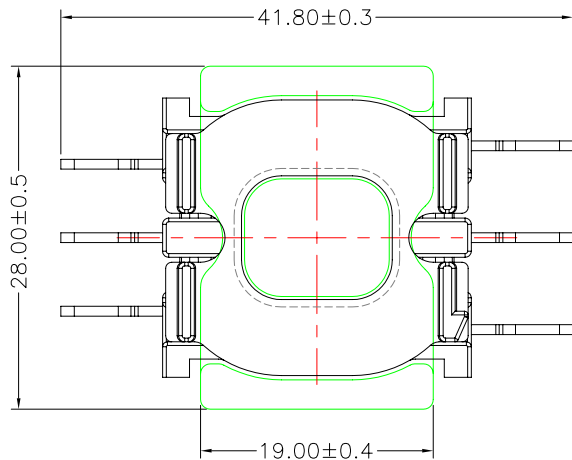
e-mail : sales@acore-ferrite.com

http:// tbi-tw.com e-mail : tb6688@ms46.hinet.net

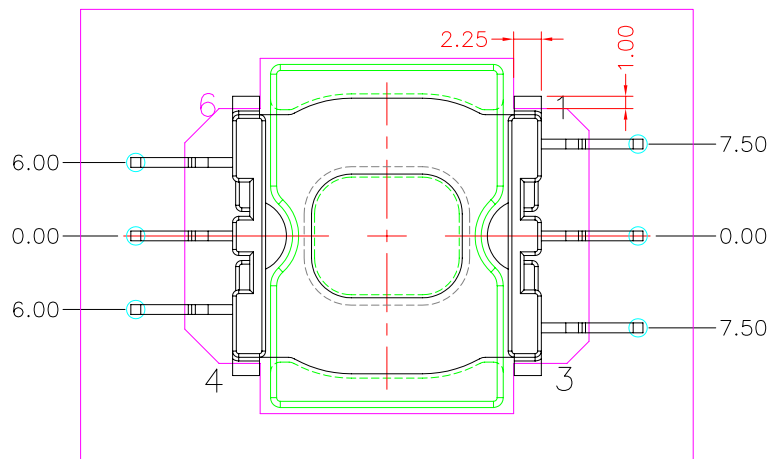
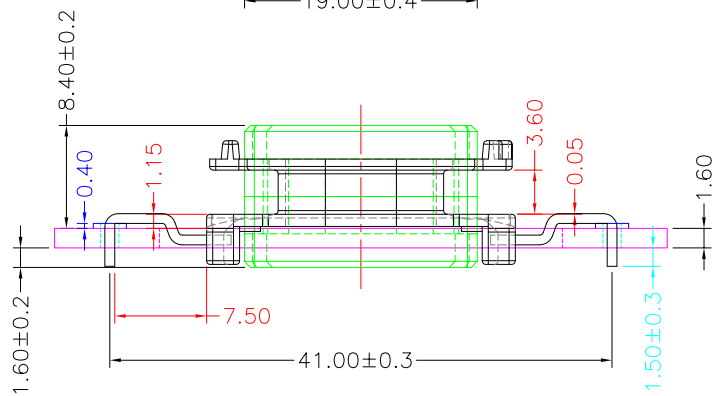
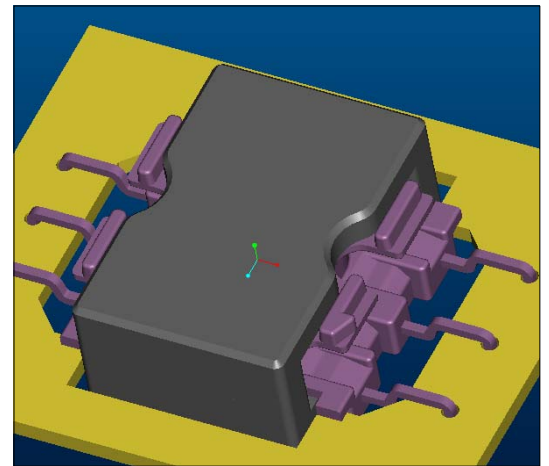
REVISIONS

REV	SYM	DRAFTER	CHECKER	DATE
1		X.H.GU	G.F.YANG	06/21/10
2		X.H.GU	G.F.YANG	11/01/10
3		G.F.YANG	W.H.HSU	01/06/11

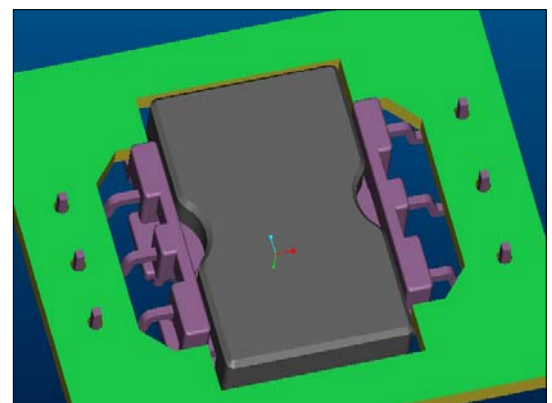
TOP



TOP

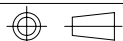


BOTTOM



BOTTOM

ITEM	PART NO.	MATERIAL	DWG NO.	Core Set Parameters
CORE	ATQ28/11.6E	JPP-44A		$A_e=105.4\text{mm}^2$ $L_e=35.5\text{mm}$ $C_1=0.337\text{mm}^{-1}$ $V_e=3741.7\text{mm}^3$
CORE	ATQ28/11.6E	JPP-95		
BOBBIN	TBI-238-07121.11XX		ATQ28-11.6E-6P-THT-2A-11	



UNIT : m/m

SCALE 1 : 1

REV 3