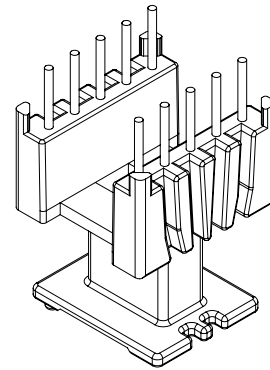
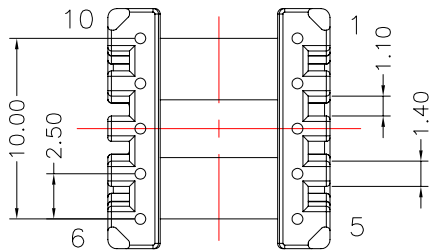
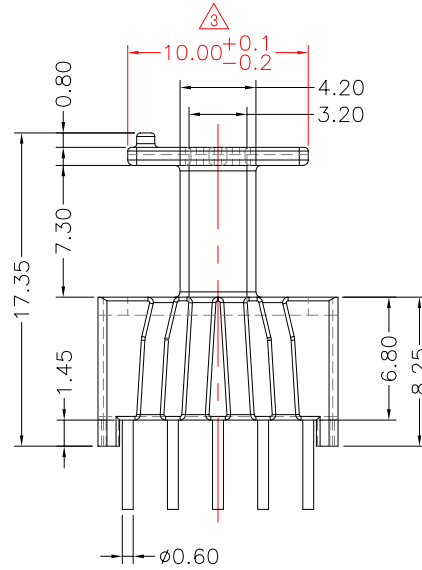
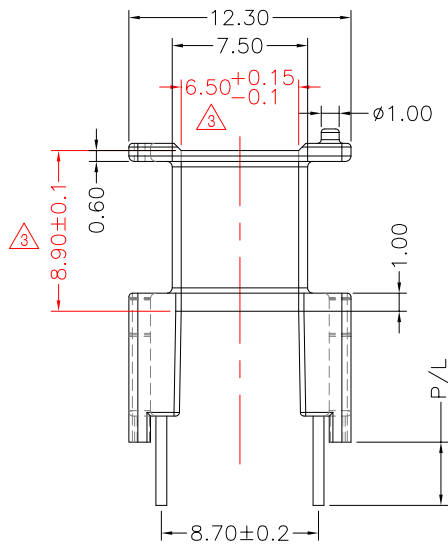
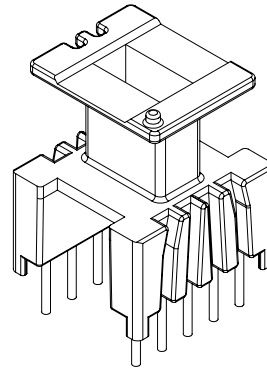
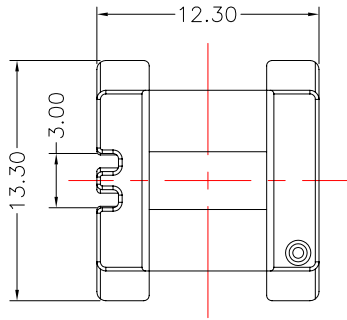




TRANSFORMER BOBBIN INDUSTRIAL CO.,LTD.

Tel : 86-769-88789999 Fax : 86-769-88789989
 http:// tbi-tw.com e-mail : tb6688@ms46.hinet.net

REVISIONS				
REV	SYM	DRAFTER	CHECKER	DATE
①		X.H.GU	G.F.YANG	04/30/10
②		X.H.GU	G.F.YANG	03/25/11
③		X.H.GU	G.F.YANG	04/11/12



DWG NO.	EE13-10P-TH-2.5-A1-11				
PART NO.	MATERIAL (BOBBIN)	MATERIAL (TERMINAL)	TERMINAL (PLATING)	PIN ALLOCATION	NOTE
TBI-201-07111.1106	PM-9630	CP WIRE	Sn	ALL PIN P/L=3.50±0.2	S
TBI-201-07111.1116	PM-9630	CP WIRE	Sn	CUT PIN #10 P/L=3.50±0.2	H
TBI-201-07111.1126	PM-9630	CP WIRE	Sn	CUT PIN #4,7,8,9 P/L=3.50±0.2	
TBI-201-07111.1136	PM-9630	CP WIRE	Sn	CUT PIN #5,6,8,10 P/L=3.50±0.2	
TBI-201-07111.1146	PM-9630	CP WIRE	Sn	CUT PIN #6,7,8 P/L=3.50±0.2	52GEE1310POD
TBI-201-07111.1156	PM-9630	CP WIRE	Sn	CUT PIN #6 P/L=3.50±0.2	
TBI-201-07111.1166	PM-9630	CP WIRE	Sn	CUT PIN #6,7 P/L=3.50±0.2	
TBI-201-07111.1176	PM-9630	CP WIRE	Sn	ALL PIN P/L= 5.0±0.2	
TOLERANCE: 0<L<=4:±0.1 4<L<=16:±0.2 16<L<=63:±0.3				UNIT : m / m	SCALE 1 : 1

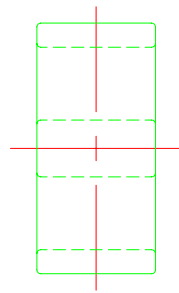
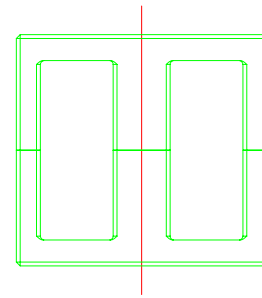
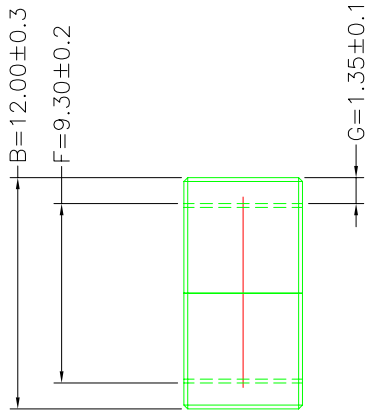
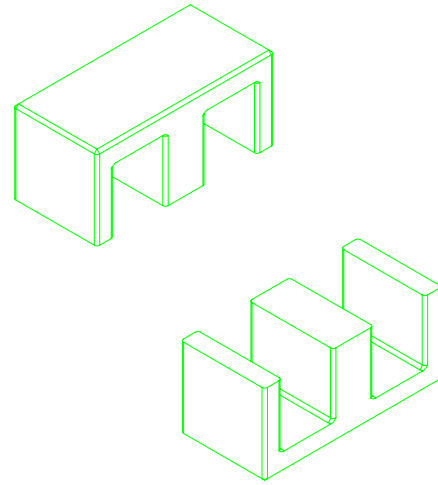
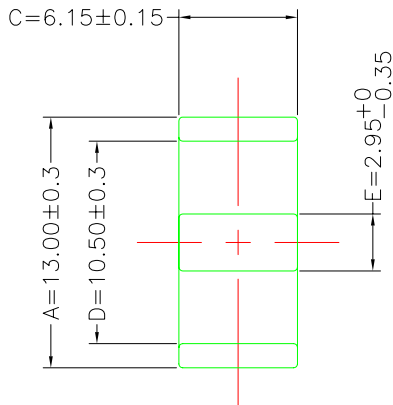
Finish: 1. PB wire Immersion Sn on terminal : Thickness:Sn plating,100,5 μm (200 μ inches) min,Base nickel 0.625 μm (25 μ inches) min.
 2. CP wire Immersion Sn on terminal : Thickness:Sn plating,100,5 μm (200 μ inches) min.
 3. Coplanarity deviation: 0.10 mm (0.004 inches)max.

REV 3

A-CORE
ELECTRICAL CO.

A-CORE JIANGMEN ELECTRONICS CO.,LTD
江門安磁電子有限公司
Tel : 86-750-3867791 Fax : 86-750-3867787

REVISIONS				
REV	SYM	DRAFTER	CHECKER	DATE
①		X.H.GU	G.F.YANG	04/30/10
②				
③				



Core Set Parameters

A1 (Limbs): 15.3mm²
A2(Back wall) :16.6mm²
A3(Center post): 18.1mm²
Ae=17mm²
Le=28mm
C1=1.64mm⁻¹
Ve=480mm

DWG NO.	EE13/12- CORE				
PART NO.	MATERIAL (BOBBIN)	MATERIAL (TERMINAL)	TERMINAL (PLATING)	PIN ALLOCATION	NOTE
EE13/12	JPP-44A				
EE13/12	JPP-95				

Finish:	TOLERANCE: 0<L<=4:±0.1 4<L<=16:±0.2 16<L<=63:±0.3	UNIT : m / m	SCALE 1 : 1	
			REV	1

A-CORE

A-CORE JIANGMEN ELECTRONICS CO.,LTD
江門安磁電子有限公司

TBI

TRANSFORMER BOBBIN
INDUSTRIAL CO.,LTD.

ELECTRICAL CO. Tel : 86-750-3867791 Fax : 86-750-3867787

Tel : 86-769-88789999 Fax : 86-769-88789989

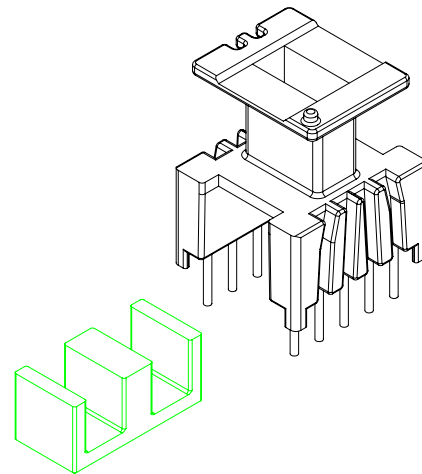
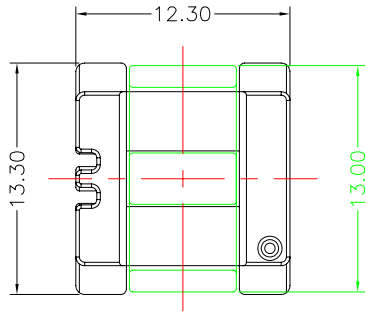
e-mail : sales@acore-ferrite.com

http:// tbi-tw.com e-mail : tb6688@ms46.hinet.net

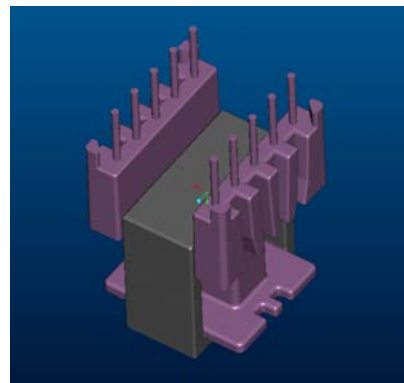
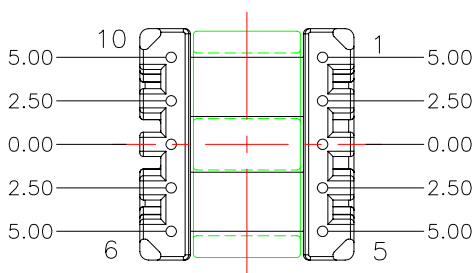
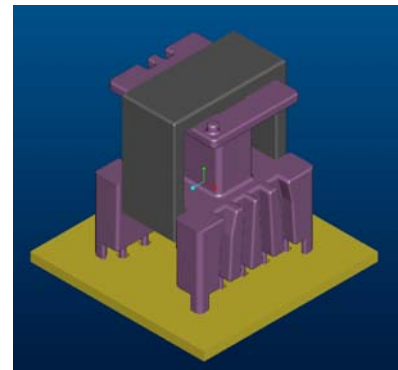
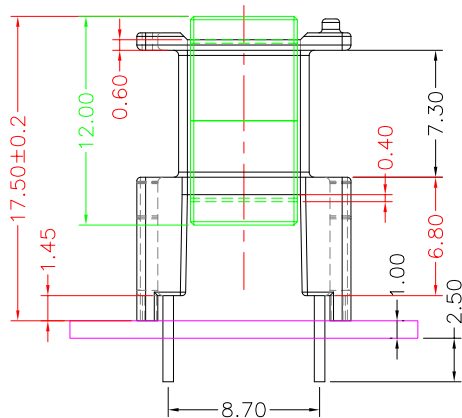
REVISIONS

REV	SYM	DRAFTER	CHECKER	DATE
△1		X.H.GU	G.F.YANG	04/30/10
△2		X.H.GU	G.F.YANG	03/25/11
△3		X.H.GU	G.F.YANG	04/11/12

TOP

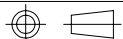


TOP



BOTTOM

ITEM	PART NO.	MATERIAL	DWG NO.	Core Set Parameters
CORE	EE13/12	JPP-44A		$A_e=17\text{mm}^2$ $L_e=28\text{mm}$ $C_1=1.64\text{mm}^{-1}$ $V_e=480\text{mm}$
	EE13/12	JPP-95		
BOBBIN	TBI-201-07111.11XX		EE13-10P-TH-2.5-A1-11	



UNIT : m / m

SCALE 1 : 1

REV

3