

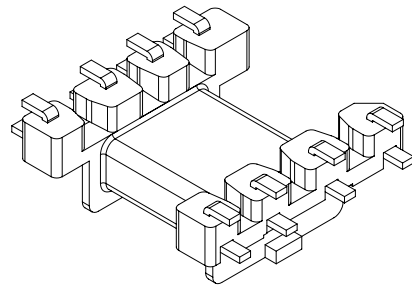
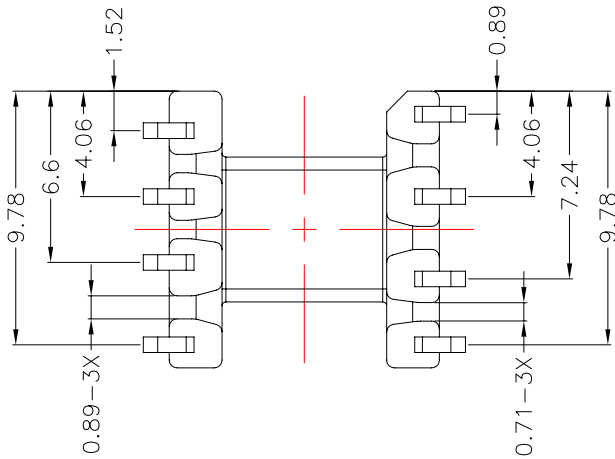
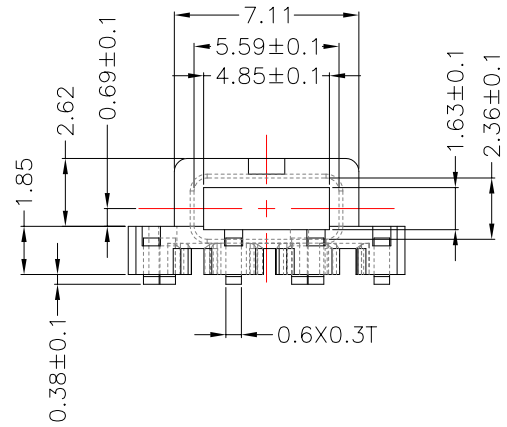
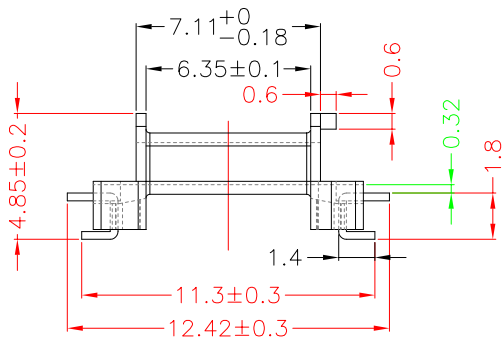
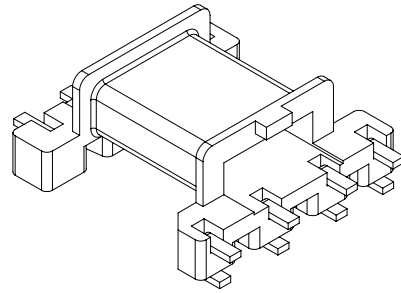
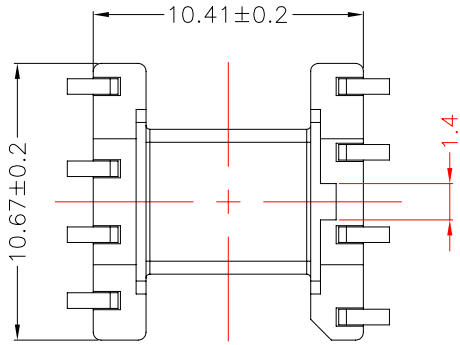


**TRANSFORMER BOBBIN  
INDUSTRIAL CO.,LTD.**

Tel : 86-769-88789999 Fax : 86-769-88789989  
 http:// tbi-tw.com e-mail : tb6688@ms46.hinet.net

REVISIONS

| REV | SYM | DRAFTER | CHECKER  | DATE     |
|-----|-----|---------|----------|----------|
| 1   |     | X.H.GU  | G.F.YANG | 04/28/11 |
| 2   |     |         |          |          |
| 3   |     |         |          |          |



DWG NO. EFD10-8P-J-B-11

| PART NO.           | MATERIAL (BOBBIN) | MATERIAL (TERMINAL) | TERMINAL (PLATING) | PIN ALLOCATION | NOTE |
|--------------------|-------------------|---------------------|--------------------|----------------|------|
| TBI-107-04021.1106 | PM-9630(BK)       | CP                  | Sn                 | ALL PIN        |      |
|                    |                   |                     |                    |                | H.C  |
|                    |                   |                     |                    |                |      |
|                    |                   |                     |                    |                |      |

TBI-107-04021.1106

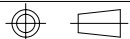
PM-9630(BK)

CP

Sn

ALL PIN

H.C



TOLERANCE: 0<L<=4:±0.1 4<L<=16:±0.2 16<L<=63:±0.3

UNIT : m / m

SCALE 1 : 1

Finish: 1. PB wire Immersion Sn on terminal : Thickness:Sn plating,100,5 μm (200 μ inches) min,Base nickel 0.625 μm (25 μ inches) min.  
 2. CP wire Immersion Sn on terminal : Thickness:Sn plating,100,5 μm (200 μ inches) min.  
 3. Coplanarity deviation: 0.10 mm (0.004 inches) max.

REV 1