

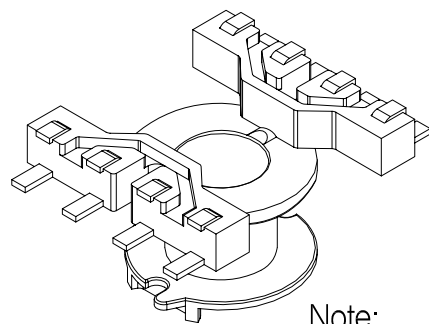
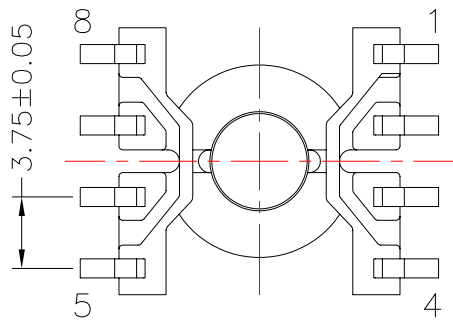
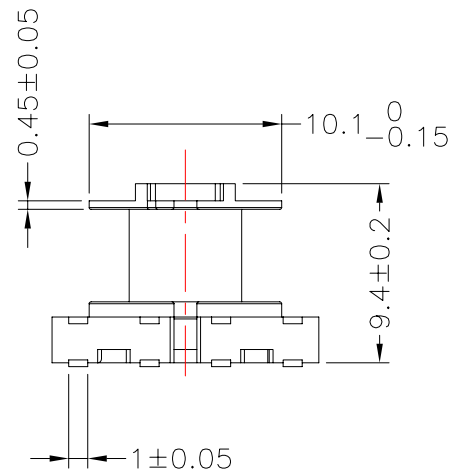
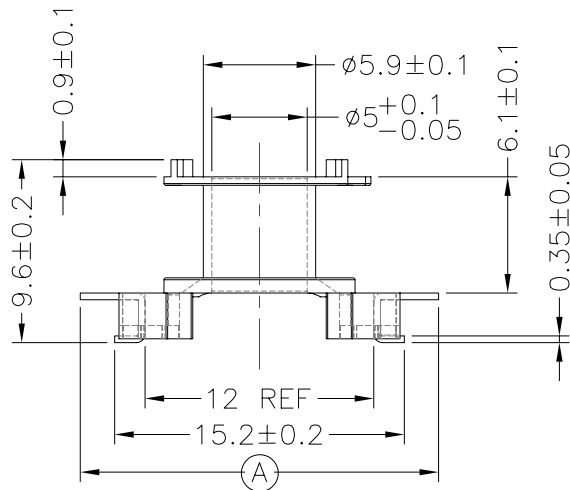
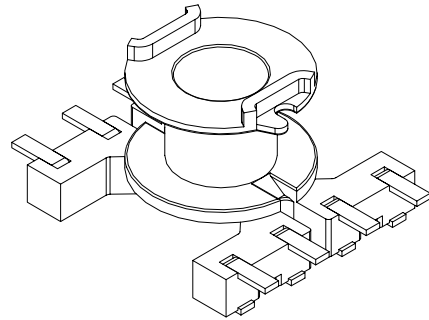
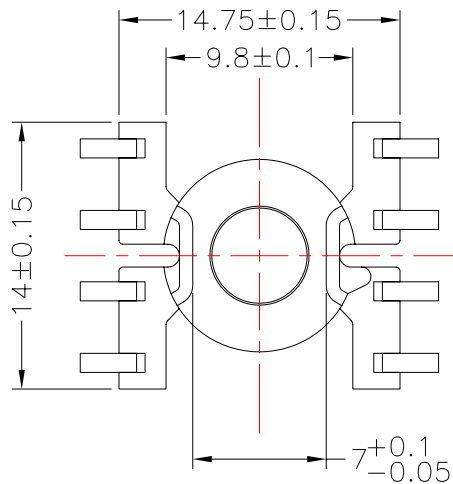


TRANSFORMER BOBBIN  
INDUSTRIAL CO.,LTD.

Tel : 86-769-88789999 Fax : 86-769-88789989  
http:// tbi-tw.com e-mail : tb6688@ms46.hinet.net

REVISIONS

REV	SYM	DRAFTER	CHECKER	DATE
①		YAN.TANG	W.H.HSU	06/27/07
②				
③				



Note:  
成品後需電鍍.

DWG NO.	RM5-8P-J-3.75-D-1				
PART NO.	MATERIAL (BOBBIN)	MATERIAL (TERMINAL)	TERMINAL (PLATING)	PIN ALLOCATION	NOTE
TBI-108-03041.103	PM-9630	PB	Sn	ALL PIN (A)=18.8±0.2	S
TBI-108-03041.113	PM-9630	PB	Sn	ALL PIN (A)=17.8±0.2	H
TBI-108-03041.123	PM-9630	PB	Sn	ALL PIN (A)=18.5±0.2	
TBI-108-03041.136	PM-9630	CP	Sn	ALL PIN (A)=17.8±0.2	
	TOLERANCE: .X±0.15 .XX±0.10 .XXX±0.05			UNIT : m / m	SCALE 2.5 : 1

Finish: 1. PB wire Immersion Sn on terminal : Thickness:Sn plating,100,5 μm (200 μ inches) min,Base nickel 0.625 μm (25 μ inches) min.  
2. CP wire Immersion Sn on terminal : Thickness:Sn plating,100,5 μm (200 μ inches) min.  
3. Coplanarity deviation: 0.10 mm (0.004 inches) max.

REV	1
-----	---