

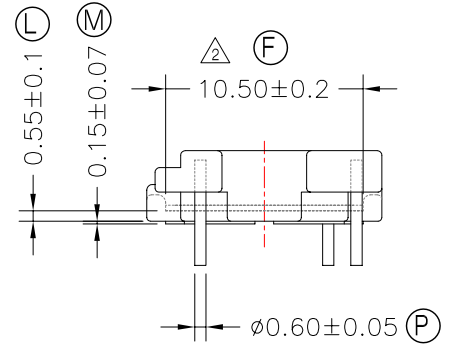
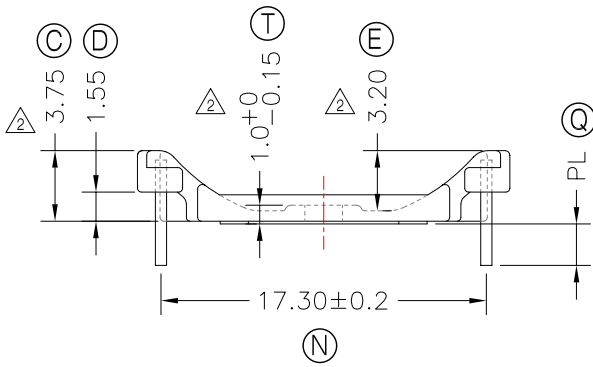
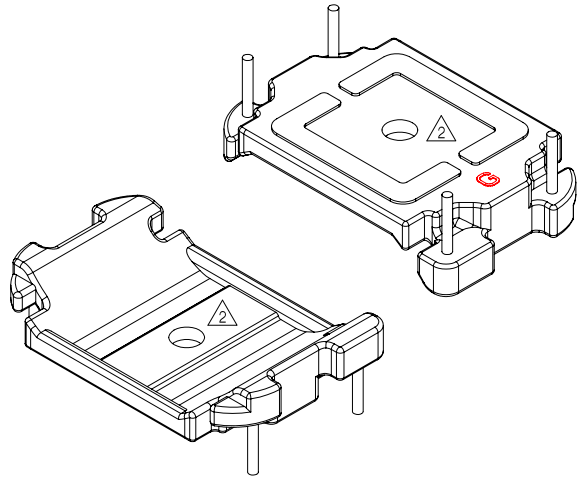
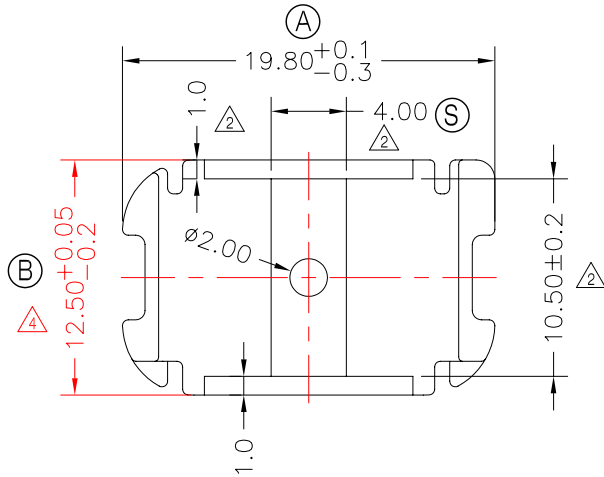


TRANSFORMER BOBBIN  
INDUSTRIAL CO.,LTD.

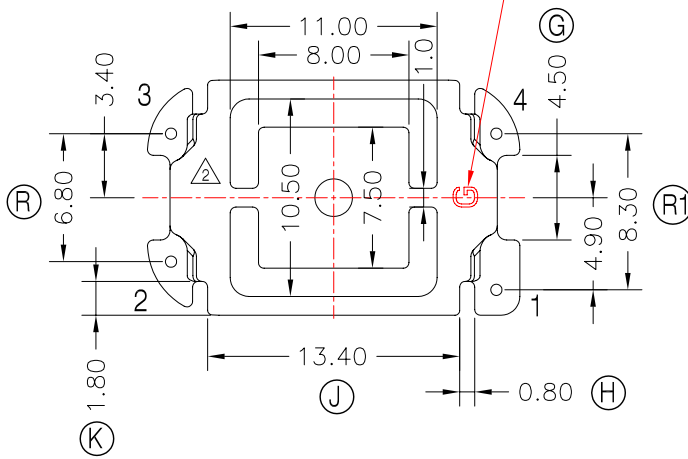
Tel : 86-769-88789999 Fax : 86-769-88789989  
http:// tbi-tw.com e-mail : tb6688@ms46.hinet.net

REVISIONS

REV	SYM	DRAFTER	CHECKER	DATE
△2		X.H.GU	G.F.YANG	12/29/17
△3		X.H.GU	G.F.YANG	03/24/18
△4		X.H.GU	G.F.YANG	04/04/18



△4 廠商代號: A,B,C.....凸出0.05~0.1mm  
注:方向不做固定



NOTE:

- 1.任意一點強度須1.5kg MIN;
- 2.耐壓4.0Kv /1.5mA 60S;
- 3.焊錫溫度:450°±10° 3SEC
- 4.焊錫前拉力:1.0KG MIN,焊錫後拉力:1.5KG MIN;

DWG NO. B20X15-4P-TH-D6-17

PART NO.	MATERIAL (BOBBIN)	MATERIAL (TERMINAL)	TERMINAL (PLATING)	PIN ALLOCATION	NOTE
----------	-------------------	---------------------	--------------------	----------------	------

TBI-220-16461.1706

PM-9823

CP WIRE

Sn

ALL PIN PL=2.2±0.2

TOLERANCE:0<L<=4:±0.1 4<L<=16:±0.2 16<L<=63:±0.3

UNIT : m / m

SCALE 1 : 1

Finish: 1. PB wire Immersion Sn on terminal : Thickness:Sn plating,100%,5 μm (200 μ inches) min,Base nickel 0.625 μm (25 μ inches) min.  
2. CP wire Immersion Sn on terminal : Thickness:Sn plating,100%,5 μm (200 μ inches) min.  
3. Coplanarity deviation: 0.10 mm (0.004 inches) max.

REV

4