

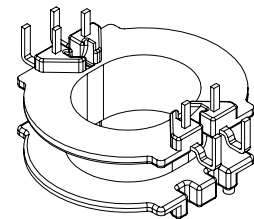
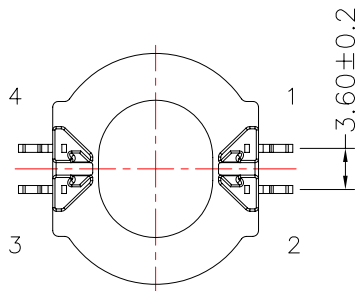
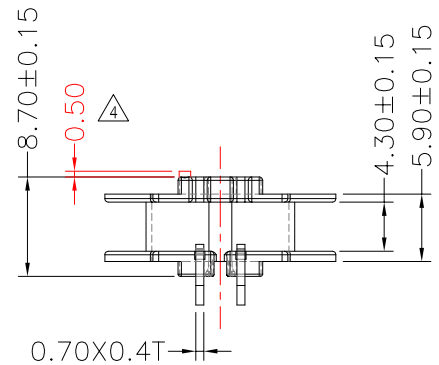
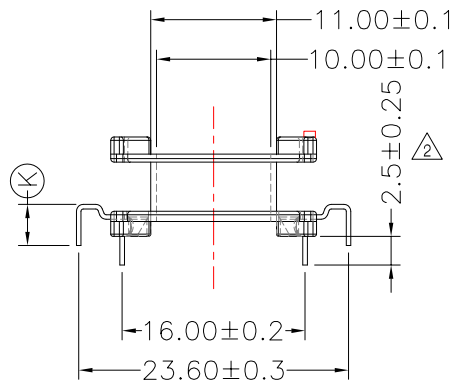
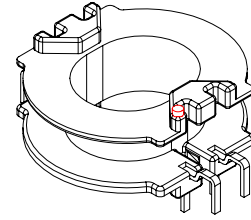
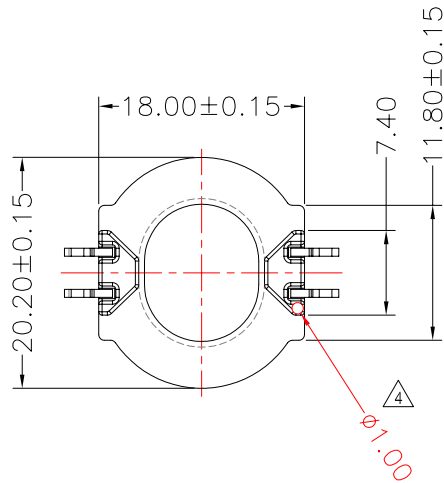


TRANSFORMER BOBBIN
INDUSTRIAL CO.,LTD.

Tel : 86-769-88789999 Fax : 86-769-88789989
http:// tbi-tw.com e-mail : tb6688@ms46.hinet.net

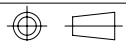
REVISIONS

REV	SYM	DRAFTER	CHECKER	DATE
2		YAN.TANG	G.F.YANG	06/01/09
3		YAN.TANG	G.F.YANG	08/25/10
4		X.H.GU	G.F.YANG	09/16/10



DWG NO. ATQ24-11.2-4P-THT-A-11

PART NO.	MATERIAL (BOBBIN)	MATERIAL (TERMINAL)	TERMINAL (PLATING)	PIN ALLOCATION	NOTE
TBI-238-01011.1106	PM-9630	C.P WIRE	Sn	ALL PIN (K)=3.6±0.3	S
TBI-238-01011.1116	PM-9630	C.P WIRE	Sn	ALL PIN (K)=4.2±0.3	H



TOLERANCE: .XX±0.1 .XXX±0.05

UNIT : m / m

SCALE 1 : 1

Finish: 1. PB wire Immersion Sn on terminal : Thickness:Sn plating,100,5 μm (200 μ inches) min,Base nickel 0.625 μm (25 μ inches) min.
2. CP wire Immersion Sn on terminal : Thickness:Sn plating,100,5 μm (200 μ inches) min.
3. Coplanarity deviation: 0.10 mm (0.004 inches) max.

REV 4

A-CORE

A-CORE JIANGMEN ELECTRONICS CO.,LTD
江門安磁電子有限公司

TBI

TRANSFORMER BOBBIN
INDUSTRIAL CO.,LTD.

ELECTRICAL CO. Tel : 86-750-3867791 Fax : 86-750-3867787

Tel : 86-769-88789999 Fax : 86-769-88789989

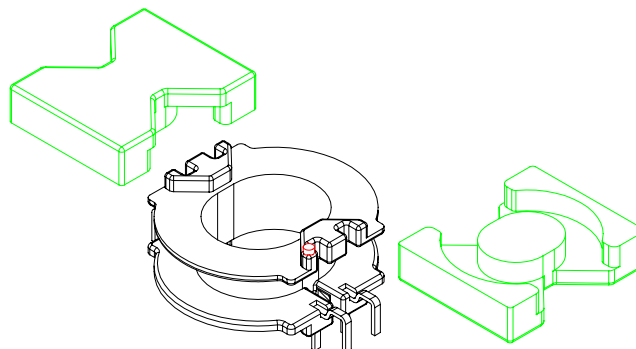
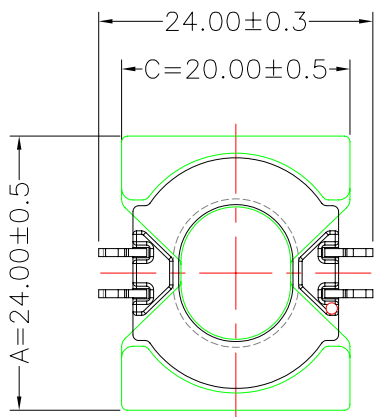
e-mail : sales@acore-ferrite.com

http:// tbi-tw.com e-mail : tb6688@ms46.hinet.net

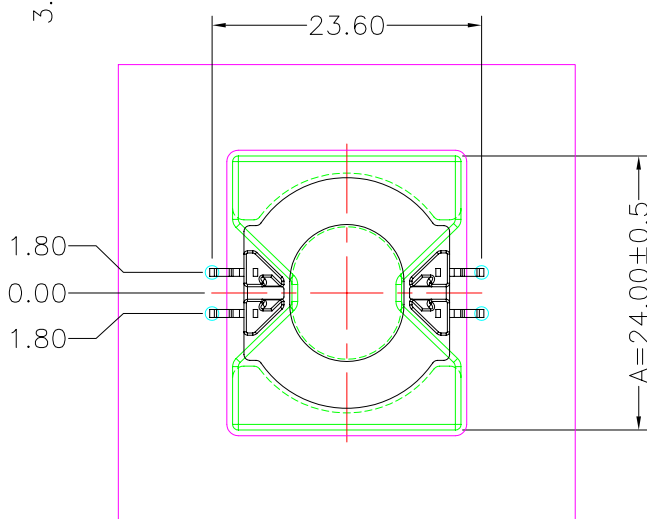
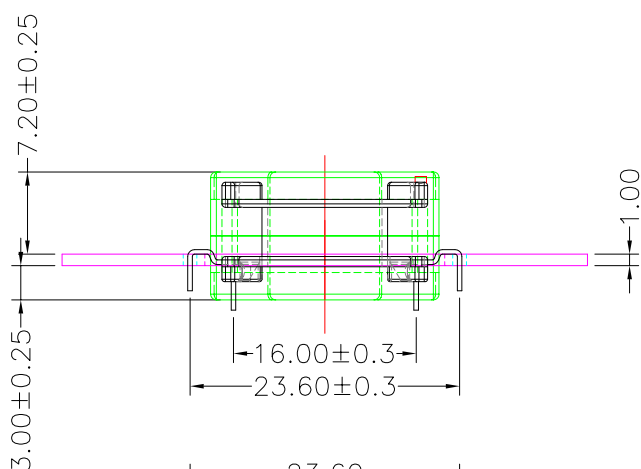
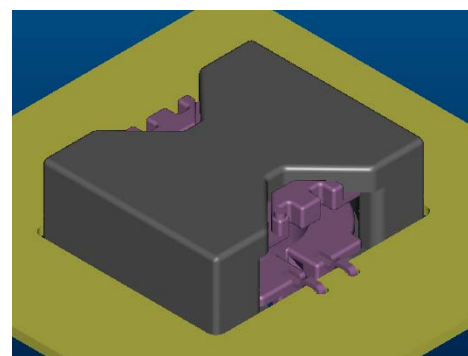
REVISIONS

REV	SYM	DRAFTER	CHECKER	DATE
△2		G.F.YANG	W.H.HSU	06/01/09
△3		YAN.TANG	G.F.YANG	08/25/10
△4		X.H.GU	G.F.YANG	09/16/10

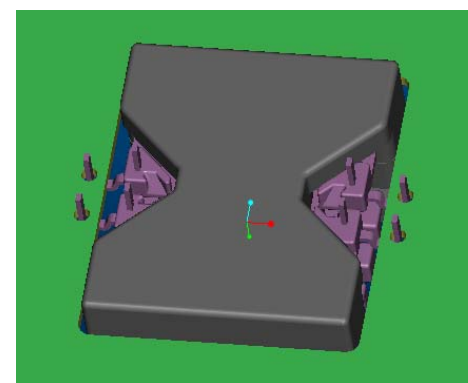
TOP



TOP



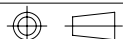
BOTTOM



ITEM	PART NO.	MATERIAL	DWG NO.
CORE	ATQ24/11.2	JPP-44A	
CORE	ATQ24/11.2	JPP-95	
BOBBIN	TBI-238-01011.11XX		ATQ24-11.2-4P-THT-A-11

Core Set Parameters

$A_e = 99.9 \text{ mm}^2$
 $L_e = 32.9 \text{ mm}$
 $C_1 = 0.330 \text{ mm}^{-1}$
 $V_e = 3286.71 \text{ mm}^3$



UNIT : m / m

SCALE 1 : 1

REV 4