





**A-CORE**A-CORE JIANGMEN ELECTRONICS CO.,LTD  
江門安磁電子有限公司**TBI**TRANSFORMER BOBBIN  
INDUSTRIAL CO.,LTD.

ELECTRICAL CO. Tel : 86-750-3867791 Fax : 86-750-3867787

Tel : 86-769-88789999 Fax : 86-769-88789989

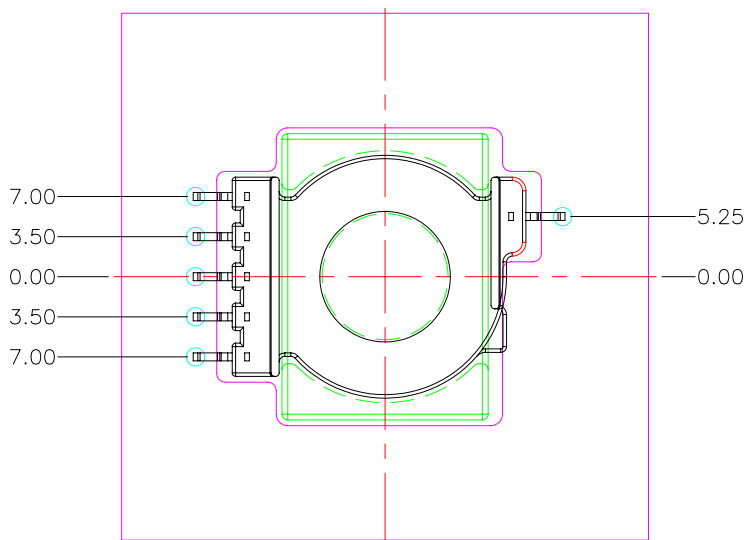
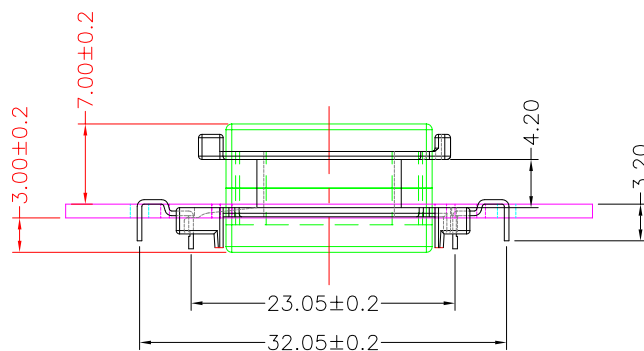
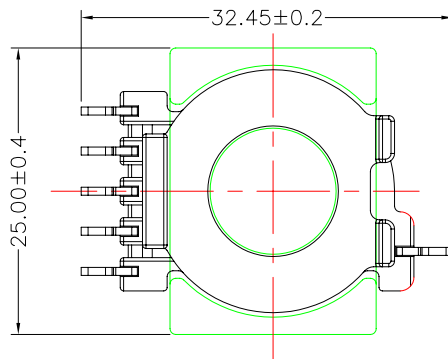
e-mail : sales@acore-ferrite.com

http:// tbi-tw.com e-mail : tb6688@ms46.hinet.net

## REVISIONS

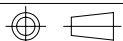
REV	SYM	DRAFTER	CHECKER	DATE
△2		YAN.TANG	G.F.YANG	11/20/09
△3		X.H.GU	G.F.YANG	07/14/17
△4		X.H.GU	G.F.YANG	10/27/17

## TOP



## BOTTOM

ITEM	PART NO.	MATERIAL	DWG NO.	Core Set Parameters
CORE	EQ25/11.2	JPP-44A		$A_e = 91.7 \text{mm}^2$ $L_e = 34.6 \text{mm}$ $C_1 = 0.377 \text{mm}^{-1}$ $V_e = 3172.82 \text{mm}^3$
CORE	EQ25/11.2	JPP-95		
BOBBIN	TBI-235-01011.11XX		EQ25-11.2-6P-THL-A-11	



UNIT : m / m

SCALE 1 : 1

REV

4