

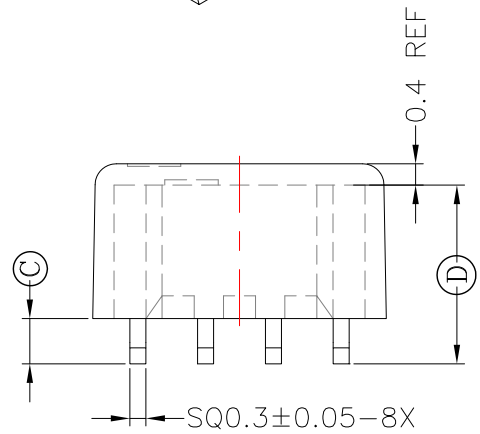
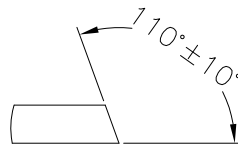
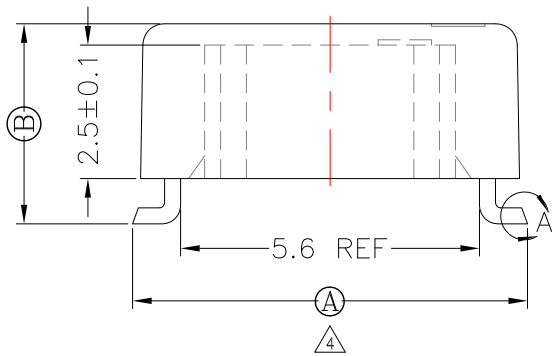
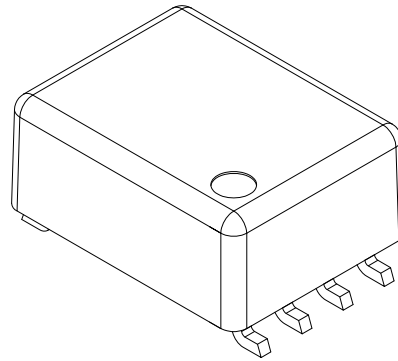
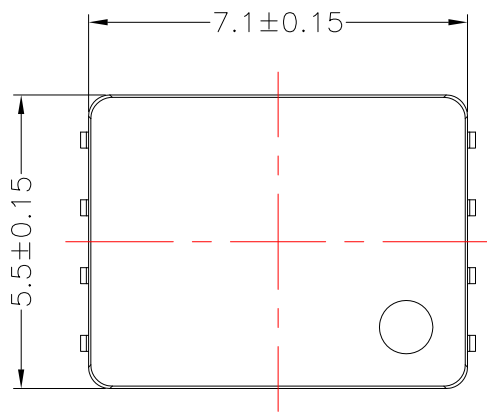


TRANSFORMER BOBBIN  
INDUSTRIAL CO.,LTD.

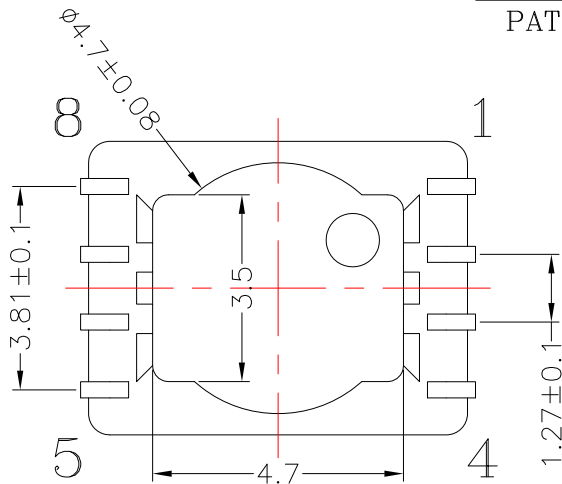
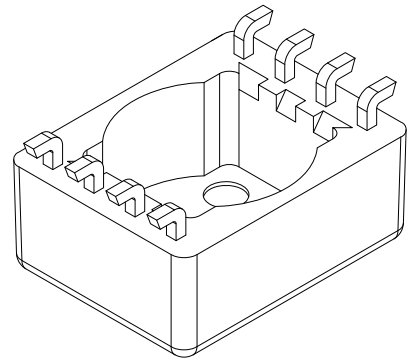
Tel : 86-769-88789999 Fax : 86-769-88789989  
http:// tbi-tw.com e-mail : tb6688@ms46.hinet.net

REVISIONS

REV	SYM	DRAFTER	CHECKER	DATE
△2		T.S.LII	W.H.HSU	07/26/06
△3		T.S.LII	W.H.HSU	04/02/07
△4		T.S.LII	W.H.HSU	03/04/08



DETAIL:A-10:1  
PATENTED



NOTE:CASE 頂部共面度為0.15 MAX.

拉力規格:

焊前1.0 KG M IN

焊後0.6 KG M IN ,平均拉力0.8KG

DWG NO. C0001-8P-L-1.27-A-1

PART NO.	MATERIAL (BOBBIN)	MATERIAL (TERMINAL)	TERMINAL (PLATING)	PIN ALLOCATION
TBI-113-09011.103	PM-9630	C5191(PB)	Sn △2	ALL PIN ①=7.4±0.15 ②=3.75±0.15 ③=0.85 REF ④=3.35±0.15
△4 TBI-113-09011.113	PM-9630	C5191(PB)	Sn	ALL PIN ①=8.3±0.15 ②=3.75±0.15 ③=0.85 REF ④=3.35±0.15
TBI-113-09011.123	PM-9630	C5191(PB)	Sn	ALL PIN ①=7.4±0.15 ②=3.95 <sup>+0.10</sup> <sub>-0.15</sub> ③=1.05 REF ④=3.55±0.15

TOLERANCE: .X±0.15 .XX±0.10 .XXX±0.05

UNIT : m / m

SCALE 7 : 1

Finish: 1. PB wire Immersion Sn on terminal : Thickness:Sn plating,100%,5 μ m (200 μ inches) min,Base nickel 0.625 μ m (25 μ inches) min.  
2. CP wire Immersion Sn on terminal : Thickness:Sn plating,100%,5 μ m (200 μ inches) min.  
3. Coplanarity deviation: 0.10 mm (0.004 inches) max.

REV 4