

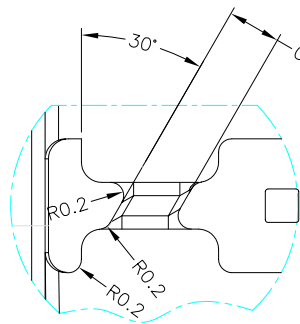


TRANSFORMER BOBBIN
INDUSTRIAL CO.,LTD.

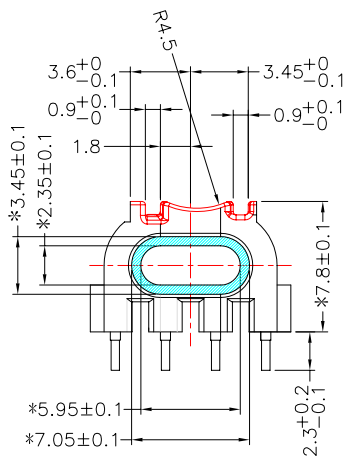
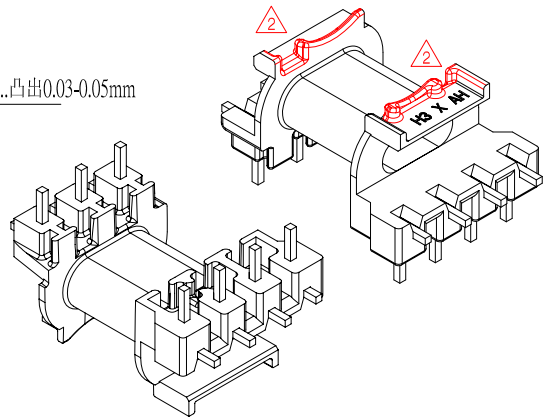
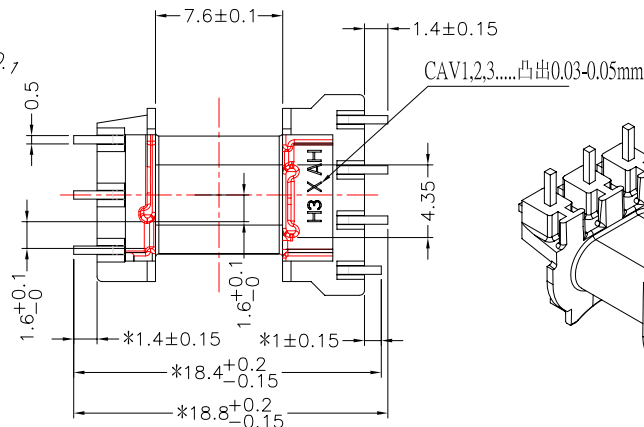
Tel : 86-769-88789999 Fax : 86-769-88789999
http:// tbi-tw.com e-mail : tb6688@ms46.hinet.net

REVISIONS

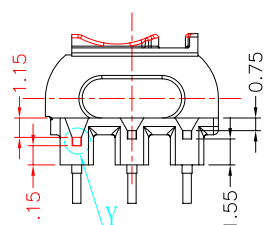
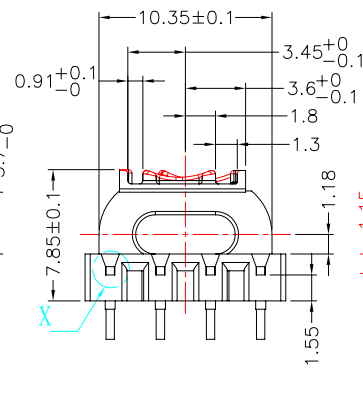
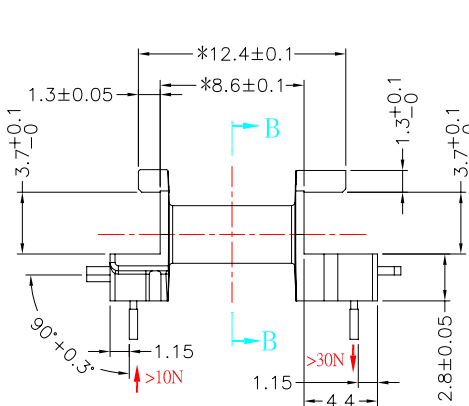
REV	SYM	DRAFTER	CHECKER	DATE
①		X.H.GU	G.F.YANG	01/14/10
②		X.H.GU	G.F.YANG	01/17/11
③				



Detail Z (4:1)

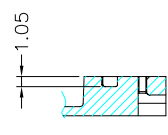


Section B-B

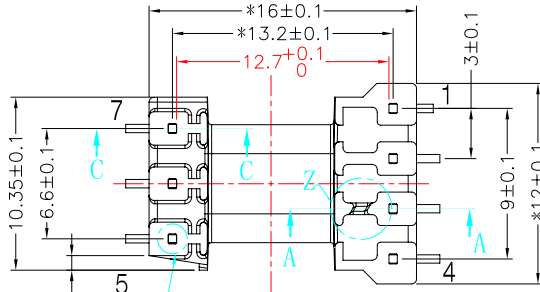


Detail X (4:1)

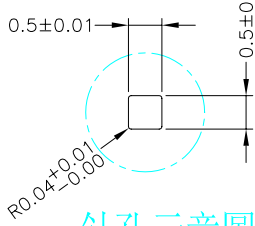
Detail Y (4:1)



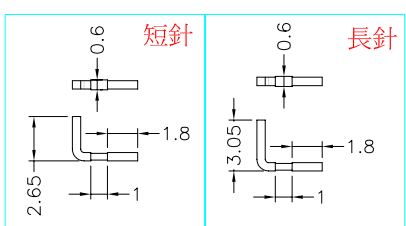
Section A-A



Section C-C



針孔示意圖



技術要求:

1. 塑膠材質: SEE TABLE;
2. 防火等級: 94V-0;
3. 五金材質: CP線0.5*0.5mm(22%銅,78%鋼), 鍍錫100%,厚度0.003-0.005mm;
4. 產品最小壁厚為0.4mm;
5. 未注R做R0.2mm;
6. 推力大于10N,拉力大于30N;
7. 產品不可有縮水、毛邊、繞線管區域表面不可有利角,轉角處須平滑過渡;
8. 產品表面為光面;
9. 帶"*" 為重點尺寸。

DWG NO. EPC13-7P-THL-B-31

PART NO. MATERIAL (BOBBIN) MATERIAL (TERMINAL) TERMINAL (PLATING) PIN ALLOCATION NOTE

TBI-206-04021.3106 LCP-E4008 (BK) (無鹵) CP WIRE Sn ALL PIN

H

GENERAL TOLERANCES

0~1	1~3	3~6	6~10	10~15	15~22	22~30	UNIT : m / m	SCALE 1 : 1
±0.08	±0.09	±0.10	±0.11	±0.13	±0.15	±0.17		

Finish: 1. PB wire Immersion Sn on terminal : Thickness:Sn plating,100,5 μm (200 μ inches) min,Base nickel 0.625 μm (25 μ inches) min.
2. CP wire Immersion Sn on terminal : Thickness:Sn plating,100,5 μm (200 μ inches) min.
3. Coplanarity deviation: 0.10 mm (0.004 inches) max.

REV 2

A-CORE

A-CORE JIANGMEN ELECTRONICS CO.,LTD
 江門安磁電子有限公司

TBI

TRANSFORMER BOBBIN
 INDUSTRIAL CO.,LTD.

ELECTRICAL CO. Tel : 86-750-3867791 Fax : 86-750-3867787

Tel : 86-769-88789999 Fax : 86-769-88789989

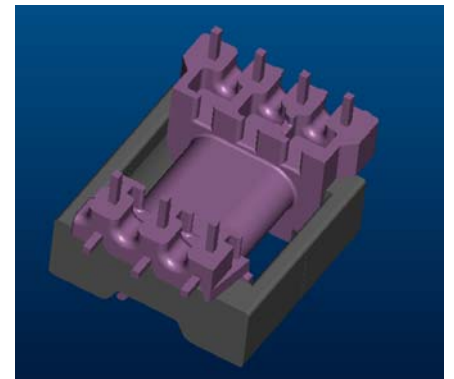
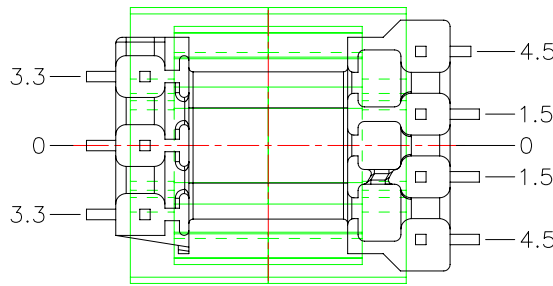
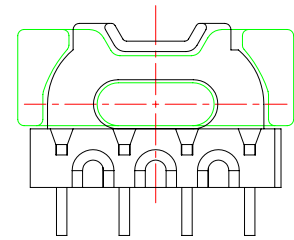
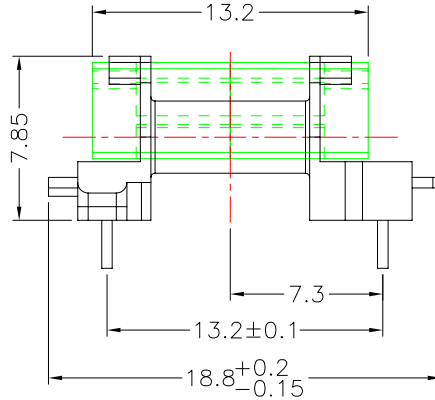
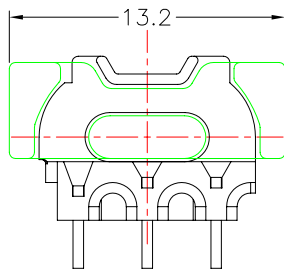
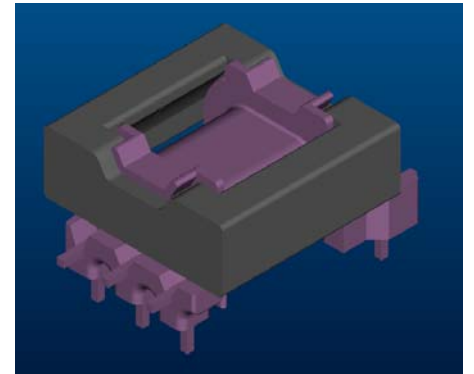
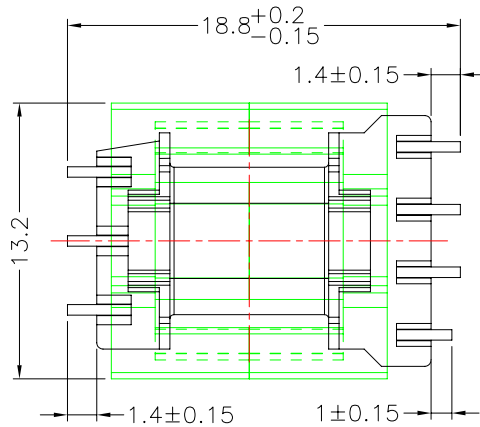
e-mail : sales@acore-ferrite.com

http:// tbi-tw.com e-mail : tb6688@ms46.hinet.net

REVISIONS

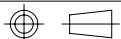
REV	SYM	DRAFTER	CHECKER	DATE
①		X.H.GU	G.F.YANG	01/14/10
②		X.H.GU	G.F.YANG	09/09/10
③				

TOP



BOTTOM

ITEM	PART NO.	MATERIAL	DWG NO.	Core Set Parameters
CORE	EPC13/13B	JPP-44A		$A_e=?mm^2$ $L_e=?mm$ $C_1=?mm^{-1}$ $V_e=?mm^3$
CORE	EPC13/13B	JPP-95		
BOBBIN	TBI-206-04021.31XX		EPC13-7P-THL-B-31	
UNIT : m / m				SCALE 1 : 1



REV 2