

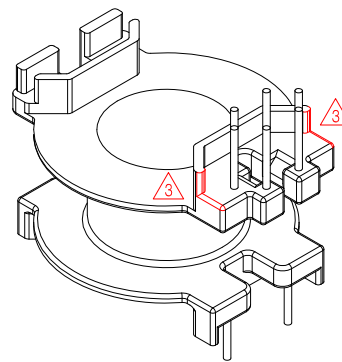
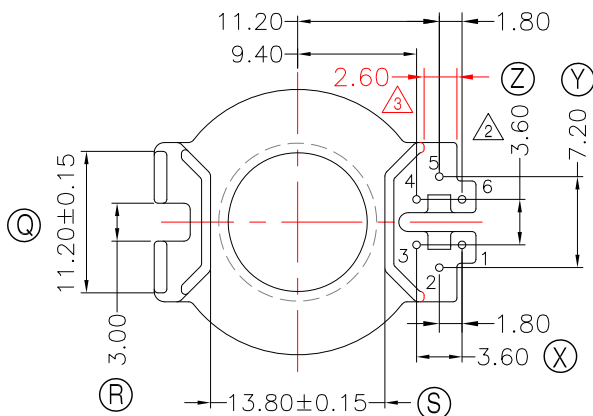
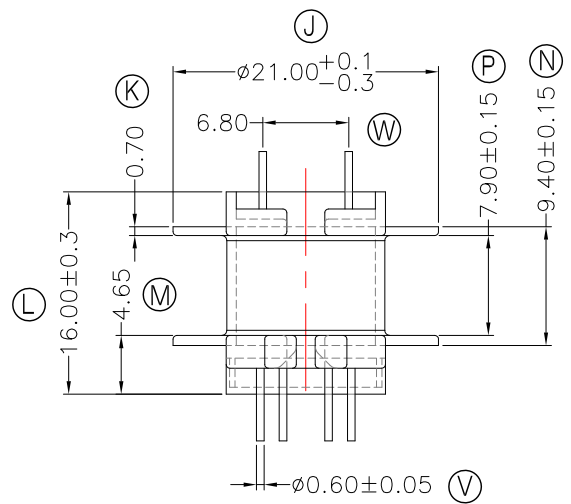
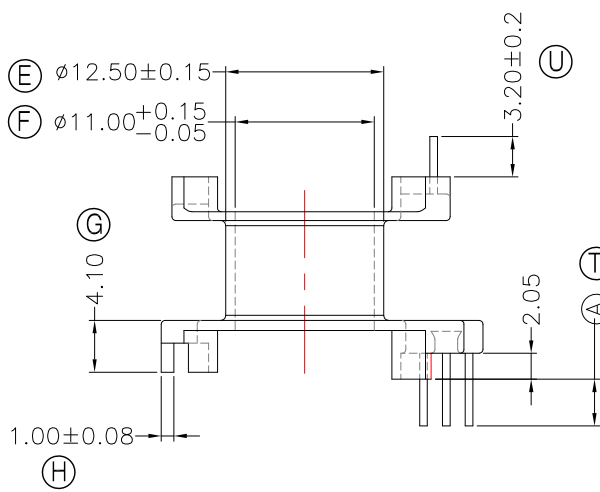
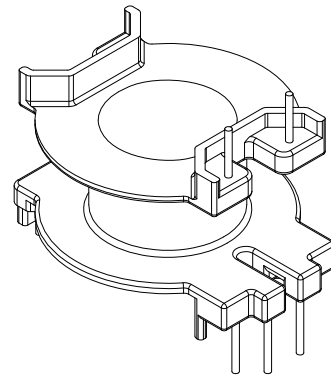
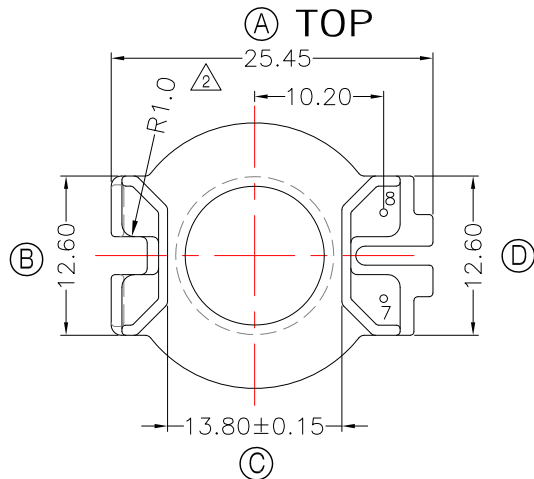


TRANSFORMER BOBBIN
INDUSTRIAL CO.,LTD.

Tel : 86-769-88789999 Fax : 86-769-88789989
http:// tbi-tw.com e-mail : tb6688@ms46.hinet.net

REVISIONS

REV	SYM	DRAFTER	CHECKER	DATE
①		X.H.GU	G.F.YANG	04/11/14
②		X.H.GU	G.F.YANG	06/03/14
③		X.H.GU	G.F.YANG	08/12/14

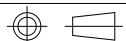


BOTTOM

與TBI-208-04511.11XX(RM10-16G-1P-CASE-E1-11)配套使用;

DWG NO. RM10-16G-8P-TH-E0-11

PART NO.	MATERIAL (BOBBIN)	MATERIAL (TERMINAL)	TERMINAL (PLATING)	PIN ALLOCATION	NOTE
TBI-208-04501.1106	PM-9630	CP WIRE	Sn	ALL PIN(A) = 3.7±0.2	S
TBI-208-04501.1116	PM-9630	CP WIRE	Sn	CUT PIN#3,7,8(A) = 3.7±0.2	H
TBI-208-04501.1126	PM-9630	CP WIRE	Sn	CUT PIN#3,7,8(A) = 5.0±0.2	
TBI-208-04501.1136	PM-9630	CP WIRE	Sn	CUT PIN#7,8(A) = 5.0±0.2	
TBI-208-04501.1146	PM-9630	CP WIRE	Sn	CUT PIN#7,8(A) = 3.5±0.2	
TBI-208-04501.1156	PM-9630	CP WIRE	Sn	CUT PIN#5,7,8(A) = 3.7±0.2	



TOLERANCE: 0 $L \le 4$: ±0.1 4 $L \le 16$: ±0.2 16 $L \le 63$: ±0.3

UNIT : m / m

SCALE 1 : 1

Finish: 1. PB wire Immersion Sn on terminal : Thickness: Sn plating, 100%, 5 μ m (200 μ inches) min, Base nickel 0.625 μ m (25 μ inches) min.
2. CP wire Immersion Sn on terminal : Thickness: Sn plating, 100%, 5 μ m (200 μ inches) min.
3. Coplanarity deviation: 0.10 mm (0.004 inches) max.

REV 3