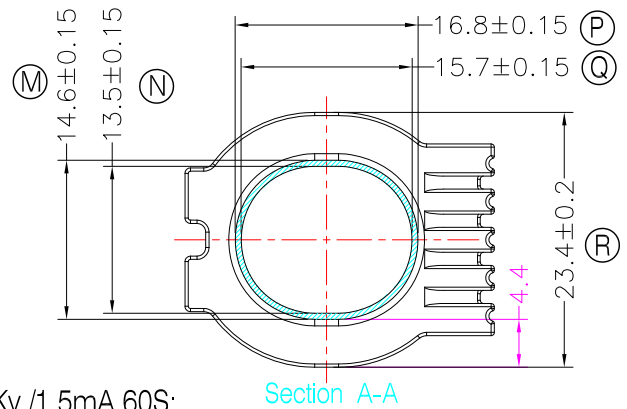
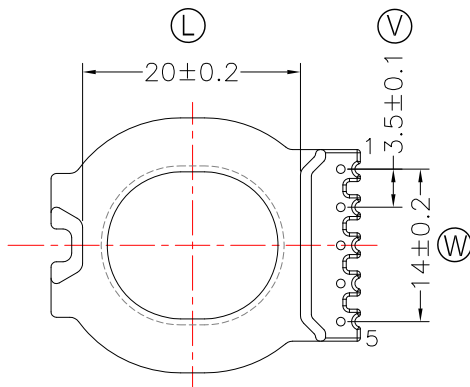
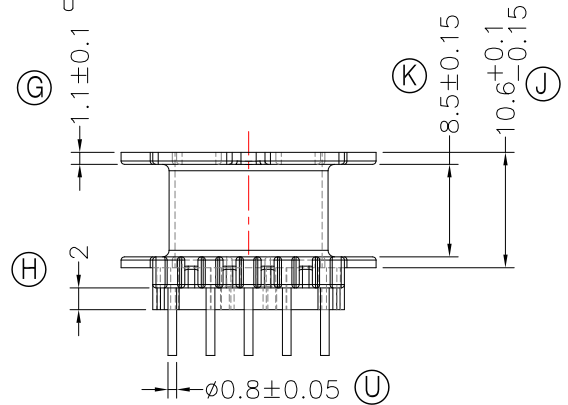
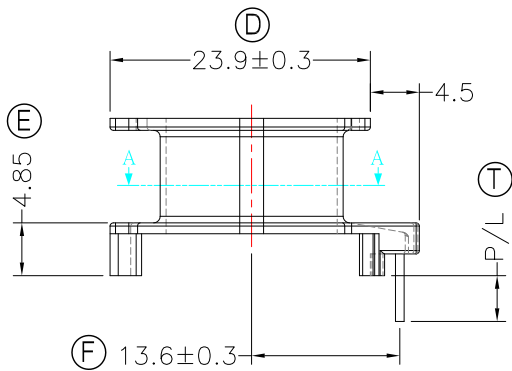
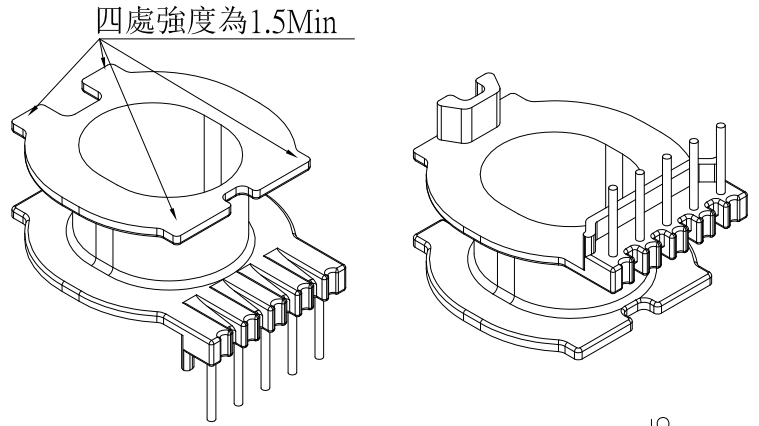
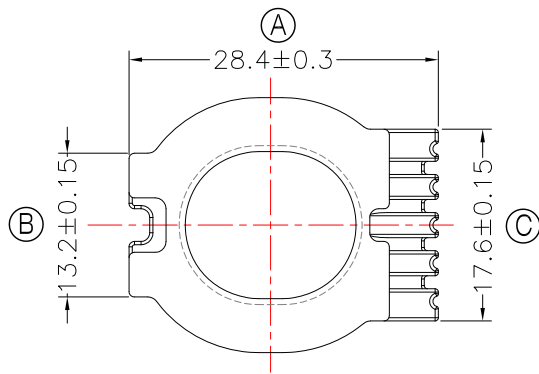




TRANSFORMER BOBBIN
INDUSTRIAL CO.,LTD.

Tel : 86-769-88789999 Fax : 86-769-88789989
http:// tbi-tw.com e-mail : tb6688@ms46.hinet.net

REVISIONS				
REV	SYM	DRAFTER	CHECKER	DATE
1		X.H.GU	G.F.YANG	05/25/16
2				
3				



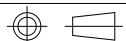
NOTE:

- 1.耐壓4.0Kv /1.5mA 60S;
- 2.焊錫溫度:450°±10° 3SEC;
- 3.除特別指出處,任一點強度為1.8kg Min;
- 4.焊前拉力1.0kg Min 焊後拉力1.5kg Min;
- 5.WINDING SPACE: 8.5mm*4.4mm=37.4mm²

Section A-A

DWG NO. ATQ28-18.3B-5P-TH-B7-17

PART NO.	MATERIAL (BOBBIN)	MATERIAL (TERMINAL)	TERMINAL (PLATING)	PIN ALLOCATION	NOTE
TBI-238-07271.1706	PM-9823	CP WIRE	Sn	ALL PIN P/L=4.2±0.2	
TBI-238-07271.1716	PM-9823	CP WIRE	Sn	CUT PIN #3 P/L=4.2±0.2	
TBI-238-07271.1726	PM-9823	CP WIRE	Sn	CUT PIN #3 P/L=4.0±0.2	
TBI-238-07271.1736	PM-9823	CP WIRE	Sn	ALL PIN P/L=4.0±0.2	
TBI-238-07271.1746	PM-9823	CP WIRE	Sn	CUT PIN #3,4 P/L=4.0±0.2	



TOLERANCE: 0<L<=4:±0.1 4<L<=16:±0.2 16<L<=63:±0.3

UNIT : m / m

SCALE 1 : 1

Finish: 1. PB wire Immersion Sn on terminal : Thickness:Sn plating,100%,5 μ m (200 μ inches) min,Base nickel 0.625 μ m (25 μ inches) min.
2. CP wire Immersion Sn on terminal : Thickness:Sn plating,100%,5 μ m (200 μ inches) min.
3. Coplanarity deviation: 0.10 mm (0.004 inches) max.

REV 1